

DHRUV  
PART CATALOGUE



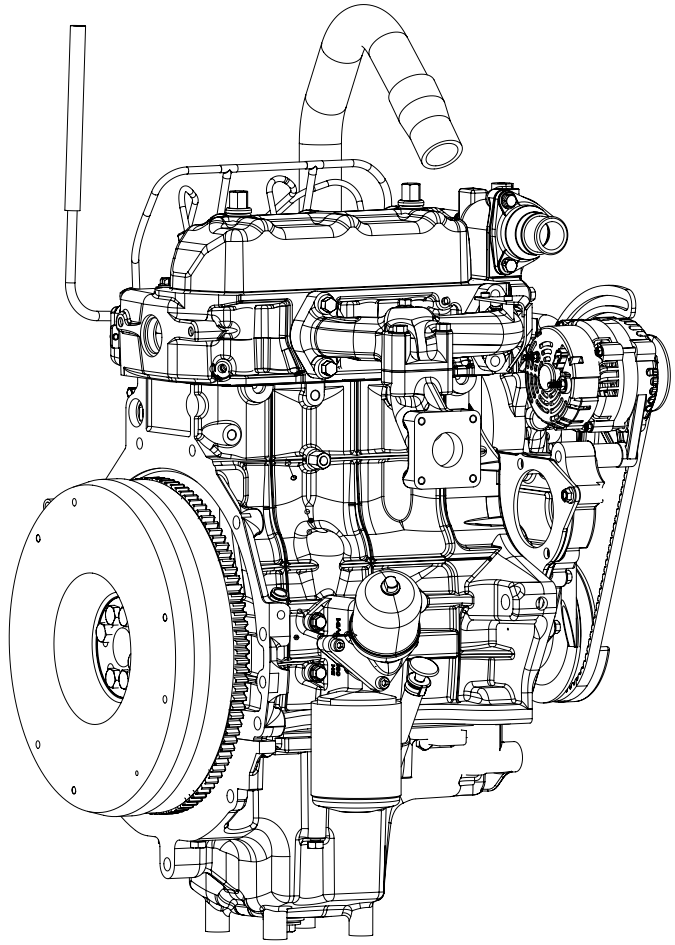
| SR.NO. | DESCRIPTION                                 | PG.NO. |
|--------|---|--------|
|        | <b>ENGINE</b>                               |        |
| 1      | ENGINE - COMPLETE, HALF & REPAIR KITS       | 2      |
| 2      | VALVE HOUSING COVER                         | 7      |
| 3      | EXHAUST SYSTEM                              | 9      |
| 4      | AIR INTAKE SYSTEM-INTAKE SYSTEM             | 11     |
| 5      | AIR INTAKE SYSTEM - DRY                     | 13     |
| 6      | CYLINDER HEAD ASSY - 3DI                    | 15     |
| 7      | CYLINDER HEAD ASSY - 4DI                    | 17     |
| 8      | VALVE TRAIN - 3DI                           | 19     |
| 9      | VALVE TRAIN - 4DI                           | 21     |
| 10     | CRANKCASE FRONT COVER                       | 23     |
| 11     | CRANCKASE WITH OIL PAN - 3DI                | 25     |
| 12     | CRANCKASE WITH OIL PAN - 4DI                | 27     |
| 13     | SLEEVE PISTON & CONNECTING ROD ASSEMBLY     | 29     |
| 14     | LUBRICATION SYSTEM                          | 31     |
| 15     | LUBRICATION SYSTEM (CENTRIFUGAL OIL FILTER) | 33     |
| 16     | COOLING SYSTEM                              | 37     |
| 17     | CRANKSHAFT ASSEMBLY - 3DI                   | 37     |
| 18     | CRANKSHAFT ASSEMBLY - 4DI                   | 39     |
| 19     | RADIATOR ASSEMBLY                           | 41     |
| 20     | FUEL INJECTION SYSTEM                       | 43     |
|        | <b>SHEET METAL</b>                          |        |
| 21     | FRONT AXLE                                  | 47     |
| 22     | FRONT AXLE SUPPORT                          | 49     |
| 23     | PS CONNECTING TIE ROD AND KNUCKLE ARM       | 51     |
| 24     | TIE ROD AND STEERING KNUCKLE MECHANICAL     | 53     |
| 25     | HUB ASSEMBLY POWER STEERING                 | 55     |
| 26     | HSU MOUNTING BRACKET & STEERING COLUMN      | 57     |
| 27     | DRAG LINK AND STEERING GEAR BOX             | 59     |
| 28     | CLUTCH PEDAL ASSY                           | 61     |
| 29     | BRAKE PEDAL ASSEMBLY                        | 63     |
| 30     | DIFFERENTIAL LOCK PEDAL ASSEMBLY            | 65     |
| 31     | REAR TOW HOOK                               | 67     |
| 32     | MIRROR & POWER STEERING GUARD               | 69     |
| 33     | HMS & FUEL TANK ASSY                        | 71     |
| 34     | SEALING DHRUV                               | 73     |
| 35     | FUEL TANK ASSY                              | 75     |
| 36     | STICKERS                                    | 77     |

| SR.NO. | DESCRIPTION                            | PG.NO. |
|--------|--|--------|
| 37     | KNOBS                                  | 79     |
| 38     | SCUTTLE ASSY                           | 81     |
| 39     | FLOOR PANEL ASSY                       | 83     |
| 40     | SEAT ASSY                              | 85     |
| 41     | BATTERY TRAY SUPPORT ASSY              | 88     |
| 42     | FENDER RH ASSY                         | 90     |
| 43     | FENDER LH ASSY                         | 92     |
| 44     | HOOD ASSY                              | 94     |
| 45     | FRONT GRILL ASSEMBLY                   | 96     |
| 46     | TOOL BOX ASSY                          | 98     |
| 47     | STEERING WHEEL                         | 100    |
| 48     | HAND BRAKE ASSEMBLY                    | 102    |
| 49     | FOOT AND HAND ACCELERATOR              | 104    |
| 50     | WHEELS                                 | 106    |
| 51     | FRONT BUMPER                           | 108    |
| 52     | FARMER KIT                             | 110    |
|        | <b>TRANSMISSION</b>                    |        |
| 53     | CLUTCH ASSEMBLY DIAPHRAGM              | 113    |
| 54     | CLUTCH HOUSING-NON RCRPTO              | 115    |
| 55     | CLUTCH HOUSING-RCRPTO                  | 117    |
| 56     | RETAINER SUB ASSEMBLY                  | 119    |
| 57     | DIFFERENTIAL SUB ASSEMBLY              | 121    |
| 58     | DIFFERENTIAL LOCK SUB ASSEMBLY         | 123    |
| 59     | RANGE TOP SHAFT SUB ASSY               | 125    |
| 60     | SPEED TOP SHAFT ASSEMBLY               | 127    |
| 61     | SPEED BOTTOM SHAFT ASSEMBLY            | 129    |
| 62     | SPLINE SHAFT SUB-ASSY WITH RANGE GEARS | 131    |
| 63     | SPLINE SHAFT SUB ASSEMBLY              | 133    |
| 64     | PTO INTERMEDIATE SHAFT                 | 135    |
| 65     | PTO SHIFTER SUB ASSY-NON RCRPTO        | 137    |
| 66     | PTO SHIFTER SUB ASSY-RCRPTO            | 139    |
| 67     | POWER TAKE OFF SUB ASSEMBLY-NON RCRPTO | 141    |
| 68     | POWER TAKE OFF SUB ASSEMBLY-RCRPTO     | 143    |
| 69     | SHIFTING ASSY                          | 146    |
| 70     | SPEED SHIFTING SUB ASSY                | 148    |
| 71     | RANGE SHIFTING SUB ASSY                | 151    |
| 72     | REVERSE IDLER SHAFT                    | 152    |
| 73     | PLANETARY SUB ASSY                     | 154    |
| 74     | RAC SUB ASSY WITH PLANETARY            | 156    |

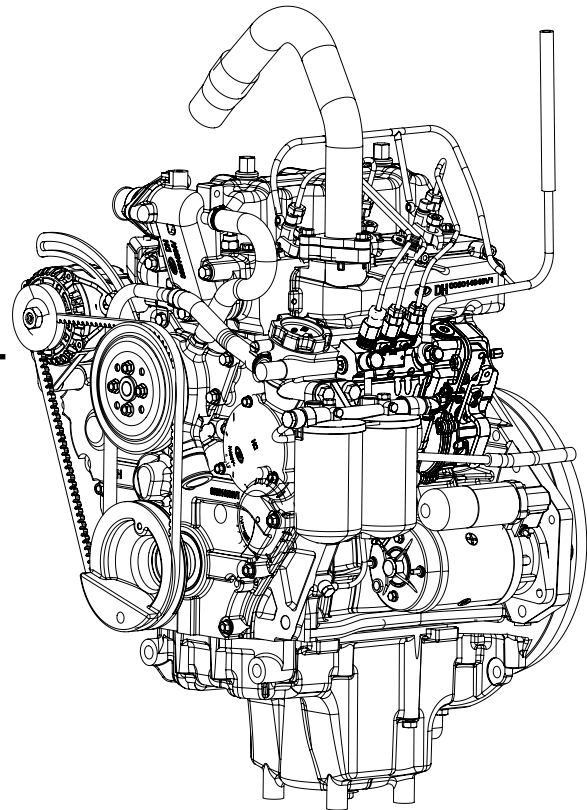
| SR.NO. | DESCRIPTION                                | PG.NO. |
|--------|--|--------|
| 75     | BRAKE ASSEMBLY                             | 158    |
| 76     | STRUCTURAL ASSY                            | 160    |
| 77     | <b>HYDRAULICS</b>                          |        |
| 78     | SUCTION PIPE ASSEMBLY - Mechanical         | 164    |
| 79     | SUCTION PIPE ASSEMBLY - POWER STEERING     | 166    |
| 80     | PRESSURE PIPE ASSEMBLY - Mechanical        | 168    |
| 81     | PRESSURE PIPE ASSEMBLY - POWER STEERING    | 170    |
| 82     | PIPE ROOTING ASSEMBLY - POWER STEERING     | 172    |
| 83     | TIPPING TRAILOR                            | 174    |
| 84     | DRAFT SENSING ON LIFT ASSY                 | 176    |
| 85     | QUADRANT & CONTROLVALVE ASSY ON LIFT ASSY  | 178    |
| 86     | POWER TRAIN                                | 180    |
| 87     | LIFT ARM ASSEMBLY                          | 182    |
| 88     | QUADRANT ASSEMBLY UPPER                    | 184    |
| 89     | QUADRANT ASSEMBLY LOWER                    | 186    |
| 90     | CONTROL VALVE ASSEMBLY                     | 188    |
| 91     | THREE POINT LINKAGES                       | 196    |
| 92     | SINGLE SPOOL AUX VALVE ASSEMBLY            | 198    |
| 93     | TRAILER BRAKE PIPE ASSEMBLY                | 200    |
|        | <b>ELECTRICAL</b>                          |        |
| 94     | HEAD LAMP                                  | 203    |
| 95     | P&T LAMP AND COMBINATION LAMP              | 205    |
| 96     | PLOUGH LAMP                                | 207    |
| 97     | INSTRUMENT CLUSTER                         | 209    |
| 98     | SENSORS AND SWITCHES                       | 211    |
| 99     | COMBINATION SWITCH ,HORN AND POWER SOCKETS | 213    |
| 100    | FUEL LEVEL SENSOR                          | 215    |
| 101    | BATTERY                                    | 217    |
| 102    | CABLES (SCUTTLE)                           | 219    |
| 103    | WIRING HARNESS                             | 221    |
| 104    | CLIPS                                      | 223    |
|        |  |        |
|        |  |        |
|        |  |        |

**ENGINE**

# ENGINE - COMPLETE, HALF & REPAIR KITS



→ **3 DI**



**4 DI** ←

# ENGINE - COMPLETE, HALF & REPAIR KITS

| M&M Part Number                 | Ref. | Description of Part                                   | Quantity |     | Remarks / Service Bulletin No. |
|---------------------------------|------|---|----------|-----|--------------------------------|
|                                 |      |   | 3DI      | 4DI |                                |
| <b>ENGINE ASSEMBLY</b>          |      |   |          |     |                                |
| ENG265DHSVDPG                   | *    | Full ENGINE Assembly,(ENGINE CPT. 265 BSIIIA - GREY)  | 1        | -   |                                |
| ENG275DHSVDPG                   | *    | Full ENGINE Assembly,(ENGINE CPT. 275 BSIIIA - GREY)  | 1        |     |                                |
| ENG395DHSVDPG4C                 | *    | Full ENGINE Assembly,(ENGINE CPT. 415 BSIIIA - GREY ) | -        | 1   |                                |
| ENG425DHSVDPG                   | *    | FULL ENGINE Assembly, (ENGINE CPT. 475 BSIIIA - GREY) | -        | 1   |                                |
| ENG575DHSVDPGNA                 | *    | FULL ENGINE Assembly,(ENGINE CPT. 575 BSIIIA -GREY)   | -        | 1   |                                |
| <b>MAJOR CRANKCASE ASSEMBLY</b> |      |   |          |     |                                |
| 006027487V91                    | *    | CRANKCASE Major Assembly ( Half Engine) 31HP          | 1        | -   |                                |
| 006024057V91                    | *    | CRANKCASE Major Assembly ( Half Engine) 35HP          | 1        | -   |                                |
| 006024067V91                    | *    | CRANKCASE Major Assembly ( Half Engine) 39 HP & 42 HP | -        | 1   |                                |
| 006028440V91                    | *    | CRANKCASE Major Assembly ( Half Engine) 45 HP         | -        | 1   |                                |
| 006014712V91                    | *    | → CRANKCASE ASSLY FINISH 3DI DHRUV                    | 1        | -   |                                |
| 006014710V91                    | *    | → CRANKCASE ASSLY FINISH 4DI DHRUV                    | -        | 1   |                                |
| 005551963R1                     | *    | → PIN DOWEL DIA 1/2 * 2.118 LG                        | 2        | 2   |                                |
| 005550183R1                     | *    | → PIN DOWEL 8.045X12.000                              | 2        | 2   |                                |
| 006510143C1                     | *    | → DOWEL PIN Ø8X25                                     | 2        | 2   |                                |
| 000020280E05                    | *    | → PIN DOWEL 8.024X16.000                              | 2        | 2   |                                |
| 006017519V1                     | *    | → PRECOATED PLUG M13 X 1.5 X 8                        | 2        | 2   |                                |
| 000020786E05                    | *    | → PLUG M10 X 1.0 HEX SOCKET PIPE                      | 1        | 3   |                                |
| 006022117Y1                     | *    | → HEX HEAD PLUG M12 X 1.5 X 18                        | 1        | -   |                                |
| 000172578                       | *    | → PLUG EXPANSION G 44.45MM                            | 1        | 1   |                                |
| 006017521V1                     | *    | → WELCH PLUG DIA 30.0                                 | 3        | 4   |                                |
| 006017522V1                     | *    | → PIN DOWEL 14.32 X 20                                | 2        | 2   |                                |
| 006016823V1                     | *    | → SLEEVE - WATER DHRUV                                | 1        | 1   |                                |
| 006000406H1                     | *    | → OIL PASSAGE PLUG                                    | 1        | 1   |                                |
| 006014915V1                     | *    | → CRANKSHAFT 3DI - DHRUV                              | 1        | -   |                                |
| 006024364V1                     | *    | → CRANKSHAFT 3DI - DHRUV ELS                          | 1        | -   |                                |
| 006014914V1                     | *    | → CRANKSHAFT 4DI - DHRUV                              | -        | 1   |                                |
| 006024535V1                     | *    | → CRANKSHAFT 4DI - DHRUV ELS                          | -        | 1   |                                |
| 006024048V1                     | *    | → SET of Crankshaft Main Bearing C/O                  | 1        | -   |                                |
| 006024072V91                    | *    | → SET of Crankshaft Main Bearing C/O                  | -        | 1   |                                |
| 006008141D1                     | *    | → COMPACT GEAR CRANKSHAFT                             | 1        | 1   |                                |
| 000218211                       | *    | → KEY WOODRUFF 1/4 X 3/4                              | 2        | 2   |                                |
| 006014977V1                     | *    | → PULLEY CRANKSHAFT 3DI DHRUV                         | 1        | -   |                                |
| 006024487V1                     | *    | → PULLEY CRANKSHAFT 3DI DHRUV ELS                     | 1        | -   |                                |
| 006016555V91                    | *    | → PULLEY CRANKSHAFT ASSY. 4DI DHRUV                   | -        | 1   |                                |
| 006000259B1                     | *    | → SPACER CRANKSHAFT PULLEY                            | 1        | 1   |                                |
| 006000260B1                     | **   | → BOLT HEX M14 X 1.5 X 32 X 10.9                      | 1        | 1   |                                |
| 006015937B91                    | *    | → BEARING CLUTCH PILOT                                | 1        | 1   |                                |
| 000020269E05                    | *    | → PIN DOWEL   | 2        | 2   |                                |
| 006017796V1                     | *    | → GASKET_FRONT_PLATE_BANCO_DHRUV                      | 1        | 1   |                                |
| 006014038V1                     | *    | → PLATE CRANKCASE FRONT DHRUV                         | 1        | 1   |                                |



# ENGINE - COMPLETE, HALF & REPAIR KITS

| M&M Part Number | Ref. | Description of Part                        | Quantity |     | Remarks / Service Bulletin No. |
|-----------------|------|--|----------|-----|--------------------------------|
|                 |      |  | 3DI      | 4DI |                                |
| 000020311E05    | *    | → BOLT HEXFL M6X1.00X16.5X8.8              | 1        | 1   |                                |
| 000703636R1     | *    | → WASHER TAB                               | 1        | 1   |                                |
| 000060387M01    | *    | → BOLT HEXFL M8X1.25X16X8.8                | 1        | 1   |                                |
| 006022334V1     | *    | → SCREW M6 X 1                             | 1        | 1   |                                |
| 006024058V91    | *    | → SET of Sleeve, Piston, Rings             | 1        | 1   |                                |
| 006028441V91    | *    | → SET of Sleeve, Piston, Rings ELS         | 1        | 1   |                                |
| 006014909V91    | *    | → CONNECTING ROD ASSEMBLY- DHRUV           | 3        | 4   |                                |
| 006014909V91    | *    | → CONNECTING ROD ASSEMBLY- DHRUV ELS       | 3        | 4   |                                |
| 006016793V1     | *    | → BEARING CONNECTING ROD KOEL - DHRUV      | 6        | 8   |                                |
| 006024365V1     | *    | → BEARING CONNECTING ROD KOEL - DHRUV ELS  | 6        | 8   |                                |
| 005557320R1     | *    | → CAMSHAFT 3 CYLINDER                      | 1        | -   |                                |
| 006015362B1     | *    | → CAMSHAFT 4 CYLINDER                      | -        | 1   |                                |
| 000218217       | *    | → KEY WOODRUFF 3/16 X 5/8                  | 1        | 1   |                                |
| 006008140D1     | *    | → COMPACT GEAR CAM SHAFT                   | 1        | 1   |                                |
| 006000372R1     | *    | → PLATE THRUST CAMSHAFT                    | 1        | -   |                                |
| 006015361H1     | *    | → CAMSHAFT THRUST PLATE 4025 MODEL         | -        | 1   |                                |
| 000020307E05    | *    | → BOLT HEXFL M8X1.25X20X8.8                | 2        | 2   |                                |
| 006011999B1     | *    | → FIP FLANGE PLATE BS3A                    | 1        | 1   |                                |
| 000020307E05    | *    | → BOLT Flanged M8 X 1.25- 6g X 20 HEX-H3   | 4        | 4   |                                |
| 006013257B1     | *    | → BS3A STEEL FIP GEAR                      | 1        | 1   |                                |
| 006015018V91    | *    | → OIL PUMP ASSLY - DHRUV                   | 1        | 1   |                                |
| 006025336V91    | *    | → OIL PUMP ASSLY - DHRUV ELS               | 1        | 1   |                                |
| 000015916RD     | *    | → SCREEN ASSY OIL PUMP                     | 1        | 1   |                                |
| 006025509V1     | *    | → GASKET OIL PUMP TO STRAINER - DHRUV ELS  | 1        | 1   |                                |
| 000179791       | *    | → BOLT HEX G6.35 X 1.27 X 12.7 X 5         | 2        | 2   |                                |
| 001082010R2     | *    | → WASHER G 6.35 MM SPRING LOCK             | 2        | 2   |                                |
| 000020314E05    | *    | → BOLT HEX M10X1.5X32X8.8                  | 1        | 1   |                                |
| 006008575D91    | *    | → IDLER GEAR ASSY. NVH COMPACT             | 1        | 1   |                                |
| 000703853R4     | *    | → IDLER GEAR SHAFT                         | 1        | 1   |                                |
| 001232850R1     | *    | → PIN ROLL 4.9MMX15.9MM                    | 1        | 1   |                                |
| 006018321V1     | *    | → IDLER GEAR BOLT M12X1.25X50.5-10.9 GRADE | 1        | 1   |                                |
| 006017794V1     | *    | → GASKET_FRONT_COVER_BANCO_DHRUV           | 1        | 1   |                                |
| 006014039V1     | *    | → COVER CRANKCASE FRONT DHRUV              | 1        | 1   |                                |
| 006015011V1     | *    | → OIL SEAL CRANKSHAFT FRONT SFN -DHRUV     | 1        | 1   |                                |
| 000020777E05    | *    | → NUT HEX FL M8X1.25X8.7X8                 | 4        | 4   |                                |
| 000020254E05    | *    | → BOLT HEXFL M8X1.25X45.5X8.8              | 9        | 9   |                                |
| 000020792E05    | *    | → BOLT HEXFL M8X1.25X70.7X8.8              | 6        | 6   |                                |
| 000020256E05    | *    | → BOLT HEXFL M8X1.25X55X8.8                | 1        | 1   |                                |
| 000020307E05    | *    | → BOLT HEXFL M8X1.25X20X8.8                | 1        | 1   |                                |
| 006020781V1     | *    | → ADAPTOR BLOWBY- DHRUV                    | 1        | 1   |                                |
| 006016824V1     | *    | → RADIAL O-RING-ID33.5*THK2.65             | 1        | 1   |                                |
| 006020780V91    | *    | → PIPE BLOWBY - DHRUV                      | 1        | 1   |                                |
| 005556668R91    | *    | → HD4EP-201,CLIP PIPE RES.TO PUMP-WORM     | 1        | 1   |                                |
| 006014907V1     | *    | → COVER - FIP GEAR DHRUV                   | 1        | 1   |                                |
| 006015004V1     | *    | → O RING FIP GEAR COVER-DHRUV              | 1        | 1   |                                |
| 000020312E05    | *    | → BOLT HEXFL M6X1.00X20.5X8.8              | 3        | 3   |                                |
| 000708907R1     | *    | → GASKET RETAINER CR OIL SEAL              | 1        | 1   |                                |

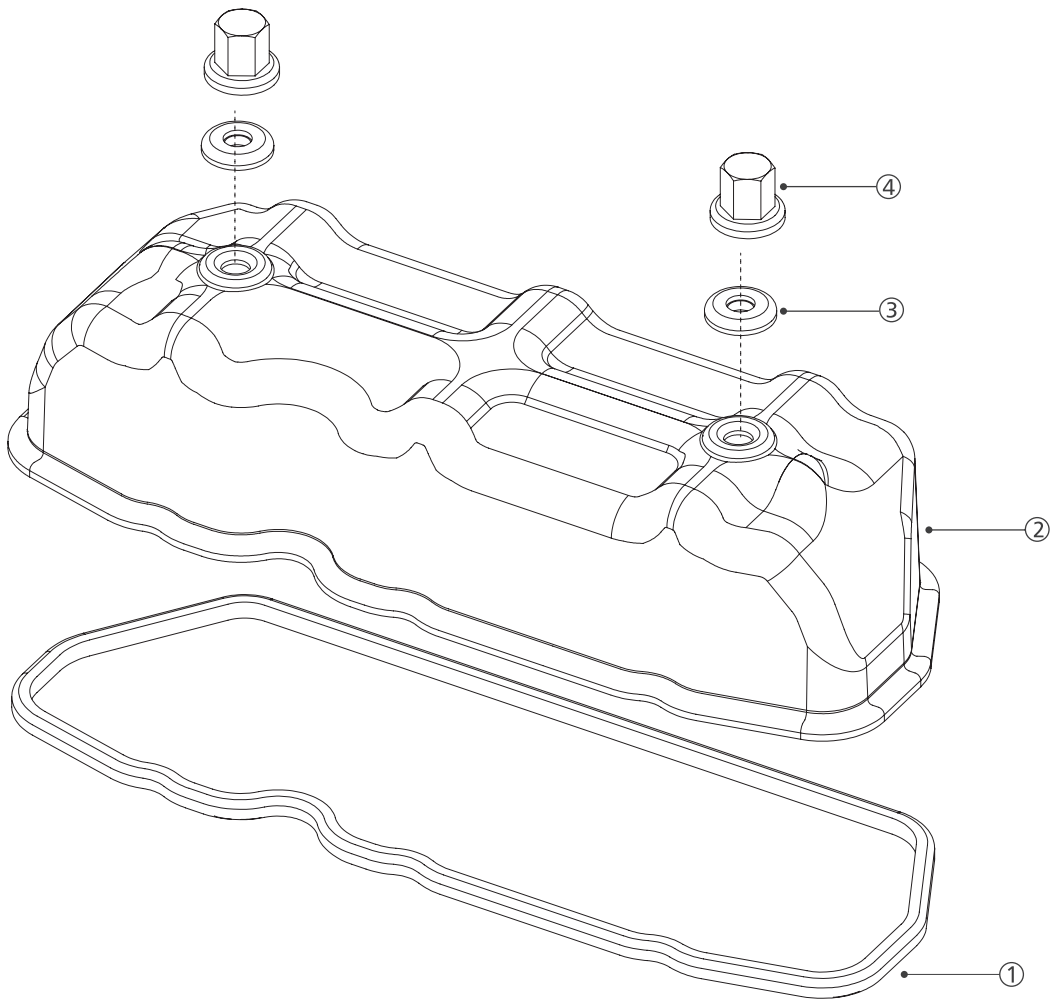
# ENGINE - COMPLETE, HALF & REPAIR KITS

| M&M Part Number | Ref. | Description of Part                       | Quantity |          | Remarks / Service Bulletin No. |
|-----------------|------|---|----------|----------|--------------------------------|
|                 |      |   | 3DI      | 4DI      |                                |
| 006015024V1     | *    | → RETAINER CRANK REAR OIL SEAL - DHRUV    | 1        | 1        |                                |
| 006015012V1     | *    | → OIL SEAL CRANKSHAFT REAR SFN - DHRUV    | 1        | 1        |                                |
| 000020309E05    | *    | → BOLT HEXFL M8X1.25X25.5X8.8             | 7        | 7        |                                |
| 006014899V1     | *    | → OIL SUMP 3DI DHRUV                      | 1        | -        |                                |
| 006014897V1     | *    | → OIL SUMP 4DI DHRUV                      | -        | 1        |                                |
| 006503852D1     | *    | → BOLT HEX M10X1.5X70X8.8                 | 10       | 12       |                                |
| 006000554H1     | *    | → BOLT HEX M10X1.25X130X8.8               | 4        | 4        |                                |
| 000022273RD     | *    | → WASHER SPRING LOCK M10                  | 17       | 14       |                                |
| 006000110F1     | *    | → PLUG HEX HEAD SCREW-Rear Earth Magnet   | 1        | 1        |                                |
| 006022336V1     | *    | → WASHER OIL DRAIN PLUG DHRUV             | 1        | 1        |                                |
| 006018119V91    | *    | → DIPSTICK ASSY 3DI TC- DHRUV             | 1        | -        |                                |
| 006018120V91    | *    | → DIPSTICK ASSY 4DI NA- DHRUV             | -        | 1        |                                |
| 006020761V1     | *    | → DIPSTICK ADAPTOR                        | 1        | 1        |                                |
| 000020808E05    | *    | → ADAPTER FOR OIL PRESSURE TRANSDUCER     | 1        | 1        |                                |
| 000022019RD     | *    | → TAPPET VALVE                            | 6        | 8        |                                |
|                 |      | <b>SET OF SLEEVE, PISTON, RINGS</b>       |          |          |                                |
| 006024058V91    | *    | <b>SET of Sleeve, Piston, Rings</b>       | <b>3</b> | <b>4</b> |                                |
| 006028441V91    | *    | <b>SET of Sleeve, Piston, Rings ELS</b>   | <b>3</b> | <b>4</b> |                                |
| 006015926V1     | *    | → PISTON NA DHRUV                         | 3        | 4        |                                |
| 006025427V1     | *    | → PISTON NA DHRUV ELS                     | 3        | 4        |                                |
| 000020418E05    | *    | → PIN PISTON                              | 3        | 4        |                                |
| 000020419E05    | *    | → RETAINER PISTON PIN                     | 6        | 8        |                                |
| 006024062V91    | *    | → <b>SET Piston Ring</b>                  | <b>3</b> | <b>4</b> |                                |
| 006014927G1     | *    | → SLEEVE (LINER) DHRUV                    | 3        | 4        |                                |
| 006020783V1     | *    | → O' RING SLEEVE CRANKCASE HNBR           | 6        | 8        |                                |
|                 |      | <b>KIT MAJOR REPAIR</b>                   |          |          |                                |
| 006027490V91    | *    | KIT Major Engine Repair 31 HP             | 1        | -        |                                |
| 006024056V91    | *    | KIT Major Engine Repair 35 HP             | 1        | -        |                                |
| 006024069V91    | *    | KIT Major Engine Repair 39 HP & 42 HP     | -        | 1        |                                |
| 006027491V91    | *    | KIT Major Engine Repair 45HP              | -        | 1        |                                |
| 006015011V1     | *    | → OIL SEAL CRANKSHAFT FRONT SFN -DHRUV    | 1        | 1        |                                |
| 006015012V1     | *    | → OIL SEAL CRANKSHAFT REAR SFN - DHRUV    | 1        | 1        |                                |
| 000172578       | *    | → PLUG EXPANSION G 44.45MM                | 1        | 1        |                                |
| 005550349R91    | *    | → SEAL VALVE                              | 6        | 8        |                                |
| 005557570R1     | *    | → VALVE SPRING - STIFFENED                | 6        | 8        |                                |
| 006022334V1     | *    | → SCREW M6 X 1                            | 1        | 1        |                                |
| 006027504V91    | *    | → SET of Valves Cpte                      | 1        | 1        |                                |
| 006024058V91    | *    | → <b>SET of Sleeve, Piston, Rings</b>     | <b>3</b> | <b>4</b> |                                |
| 006024068V91    | *    | → <b>SET of Sleeve, Piston, Rings ELS</b> | <b>3</b> | <b>4</b> |                                |
| 006024060V91    | *    | → GASKET Package Engine Cpte.             | 1        | -        |                                |
| 006024071V91    | *    | → GASKET Package Engine Cpte.             | -        | 1        |                                |
|                 |      |   |          |          |                                |
|                 |      |   |          |          |                                |
|                 |      |   |          |          |                                |
|                 |      |   |          |          |                                |

# ENGINE - COMPLETE, HALF & REPAIR KITS

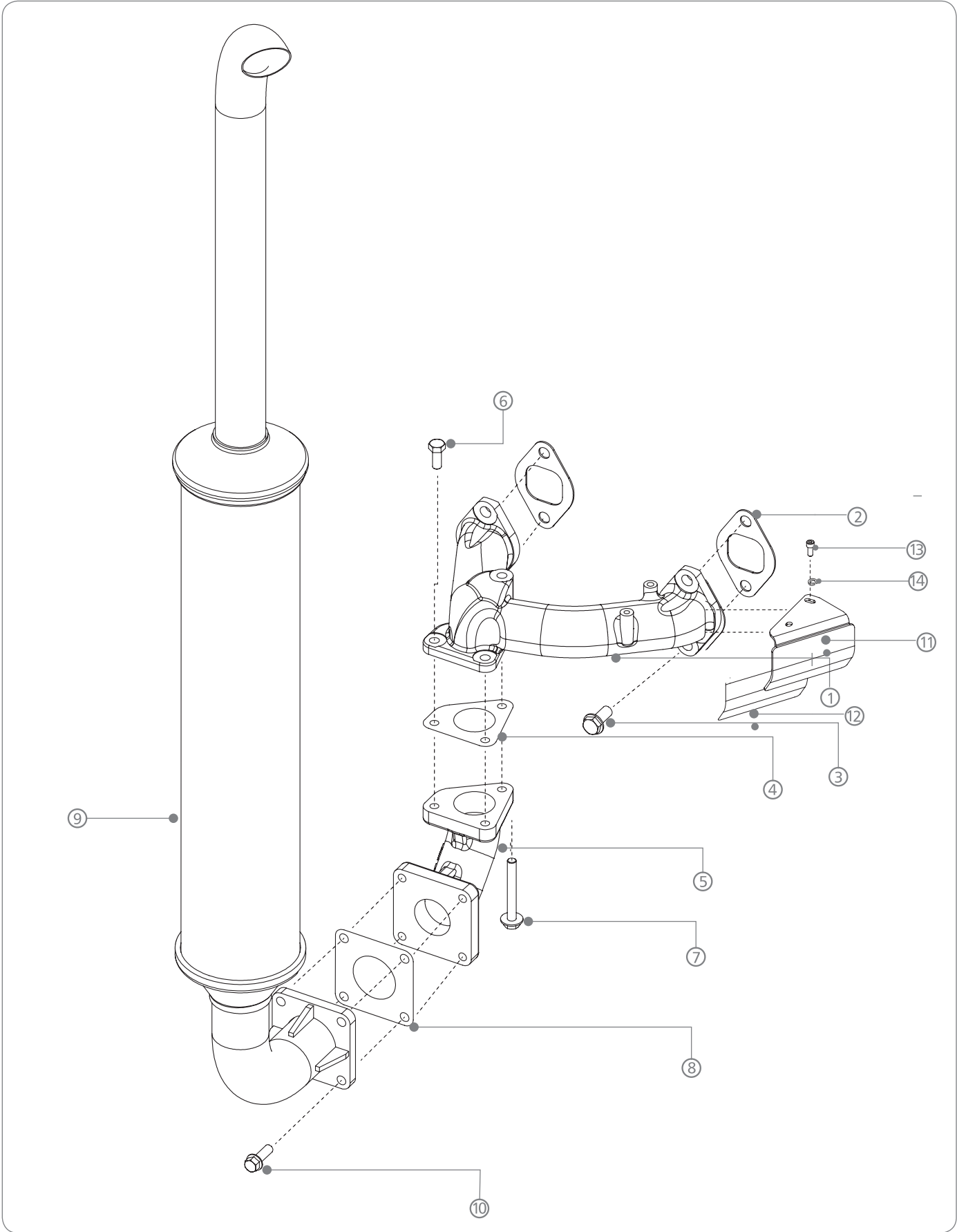
| M&M Part Number                 | Ref. | Description of Part                         | Quantity |          | Remarks / Service Bulletin No. |
|---------------------------------|------|---|----------|----------|--------------------------------|
|                                 |      |   | 3DI      | 4DI      |                                |
| <b>KIT MINOR REPAIR</b>         |      |   |          |          |                                |
| 006024059V91                    | *    | KIT Minor Engine Repair                     | 1        | -        |                                |
| 006024070V91                    | *    | KIT Minor Engine Repair                     | -        | 1        |                                |
| <b>006024062V91</b>             | *    | → <b>SET Piston Ring</b>                    | <b>1</b> | -        |                                |
| 006020783V1                     | *    | → O' RING SLEEVE CRANKCASE HNBR             | 6        | 8        |                                |
| 006014927G1                     | *    | → SLEEVE (LINER) DHRUV                      | 3        | 4        |                                |
| 006020087V1                     | *    | → GASKET_INTAKE MANIFOLD_3DI_DHRUV          | 1        |          |                                |
| 006020086V1                     | *    | → GASKET_INTAKE MANIFOLD_4DI_DHRUV          |          | 1        |                                |
| 006022153V1                     | *    | → GASKET-EXH-MANIFOLD-DHRUV                 | 2        | 2        |                                |
| 006017552V1                     | *    | → GASKET VALVE HOUSING COVER - 3DI - BANCO  | 1        |          |                                |
| 006017553V1                     | *    | → GASKET VALVE HOUSING COVER - 4DI - BANCO  |          | 1        |                                |
| 006015001V1                     | *    | → GASKET CYLINDER HEAD 3DI- DHRUV           | 1        |          |                                |
| 006015000V1                     | *    | → GASKET CYLINDER HEAD 4DI- DHRUV           |          | 1        |                                |
| <b>GASKET PACKAGE</b>           |      |   |          |          |                                |
| 006024060V91                    | *    | GASKET Package Engine Cpte.                 | 1        | -        |                                |
| 006024071V91                    | *    | GASKET Package Engine Cpte.                 | -        | 1        |                                |
| 006017796V1                     | *    | → GASKET FRONT PLATE BANCO DHRUV            | 1        | 1        |                                |
| 006025888V1                     | *    | → GASKET F.I.P.                             | 1        | 1        |                                |
| 006017794V1                     | *    | → GASKET FRONT COVER BANCO DHRUV            | 1        | 1        |                                |
| 000708907R1                     | *    | → GASKET RETAINER CR OIL SEAL               | 1        | 1        |                                |
| 006020087V1                     | *    | → GASKET_INTAKE MANIFOLD_3DI_DHRUV          | 1        | -        |                                |
| 006020086V1                     | *    | → GASKET_INTAKE MANIFOLD_4DI_DHRUV          | -        | 1        |                                |
| 000015490RD                     | *    | → GASKET 3 DI THERMOSTAT HSG AVL            | 1        | -        |                                |
| 001233545R1                     | *    | → GASKET 4 DI THERMOSTAT HSG AVL            | -        | 1        |                                |
| 003065125R2                     | *    | → GASKET THERMOSTAT                         | 1        | -        |                                |
| 006015001V1                     | *    | → GASKET CYLINDER HEAD 3DI- DHRUV           | 1        | -        |                                |
| 006015000V1                     | *    | → GASKET CYLINDER HEAD 4DI- DHRUV           | -        | 1        |                                |
| 006022153V1                     | *    | → GASKET-EXH-MANIFOLD-DHRUV                 | 2        | 2        |                                |
| 006017552V1                     | *    | → GASKET VALVE HOUSING COVER - 3DI DHRUV    | 1        | -        |                                |
| 006017552V1                     | *    | → GASKET VALVE HOUSING COVER - 4DI DHRUV    |          | 1        |                                |
| 006015017V1                     | *    | → GASKET PIPE - STUB PIPE - DHRUV 39HP,45HP |          | 1        |                                |
| 006018720V1                     | *    | → GASKET_CENTRIFUGAL FILTER HEAD_DHRUV      | 1        | 1        |                                |
| 006014898V1                     | *    | → GASKET OIL FILTER - DHRUV                 | 1        | 1        |                                |
| 006015025V1                     | *    | → GASKET STUB PIPE - SILENCER - DHRUV       | 1        | 1        |                                |
| <b>ENGINE MAIN BEARING SETS</b> |      |   |          |          |                                |
| <b>006024048V1</b>              | *    | <b>SET of Crankshaft Main Bearing Cpte</b>  | <b>1</b> | -        |                                |
| <b>006024072V91</b>             | *    | <b>SET of Crankshaft Main Bearing Cpte</b>  | -        | <b>1</b> |                                |
| 006014923V1                     | *    | → BEARING CR'SFT FRONT TOP KOL- DHRUV       | 3        | 4        |                                |
| 006014924V1                     | *    | → BEARING CR'SFT FRONT BOT KOL- DHRUV       | 3        | 4        |                                |
| 006014925V1                     | *    | → BEARING CR'SFT REAR TOP KOL- DHRUV        | 1        | 1        |                                |
| 006014926V1                     | *    | → BEARING CR'SFT REAR BOT KOL- DHRUV        | 1        | 1        |                                |

# VALVE HOUSING COVER



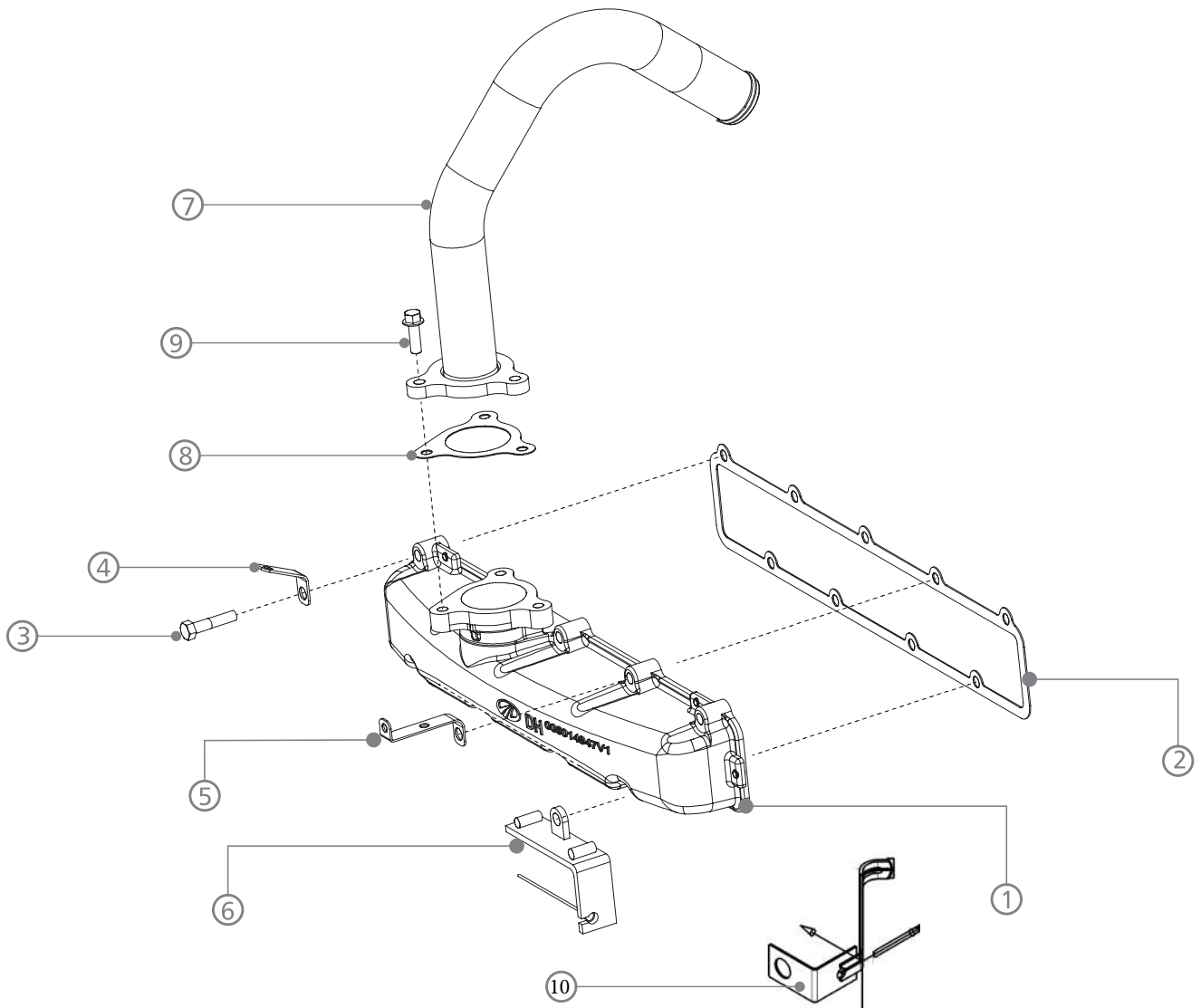


# EXHAUST SYSTEM





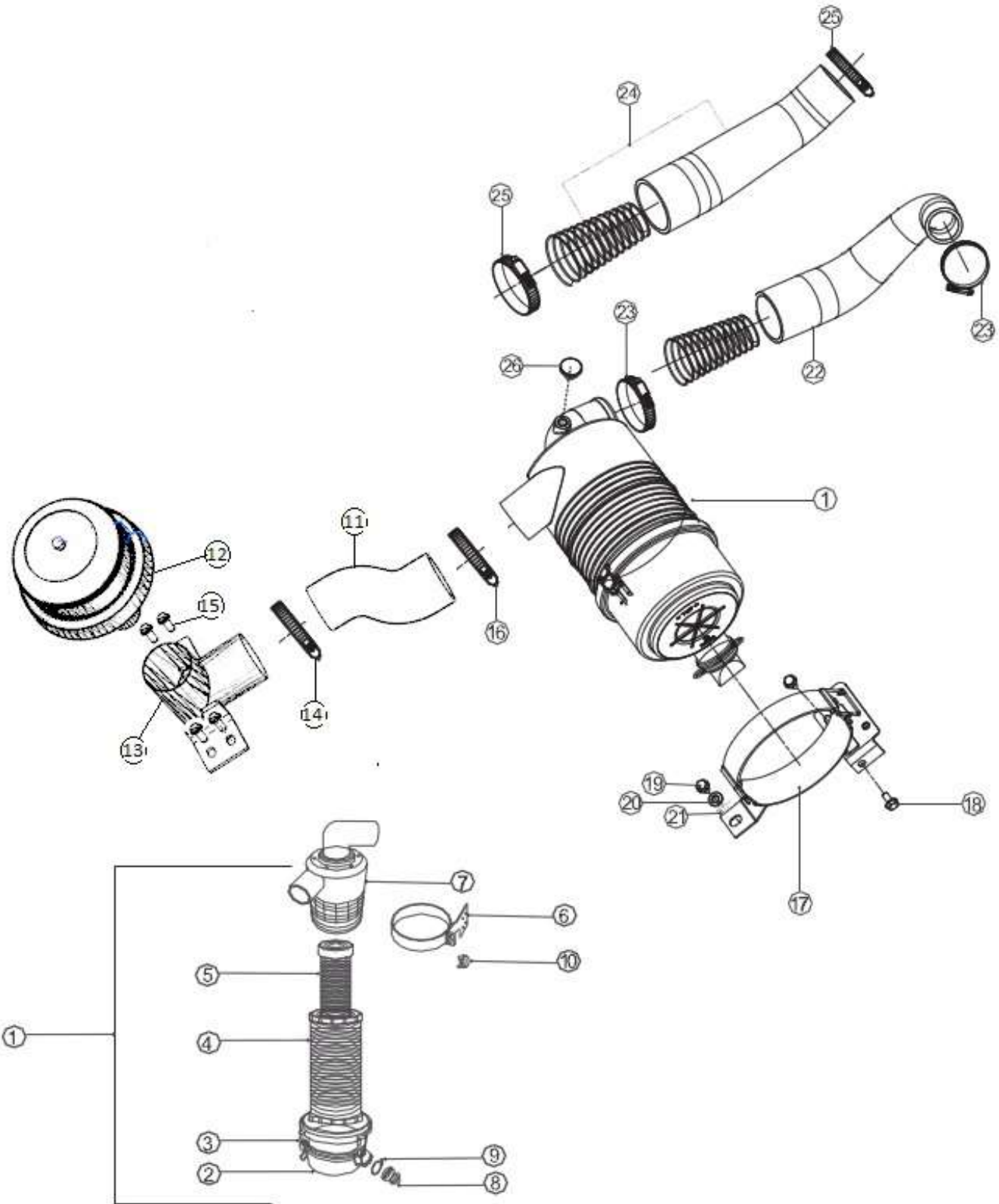
# AIR INTAKE SYSTEM





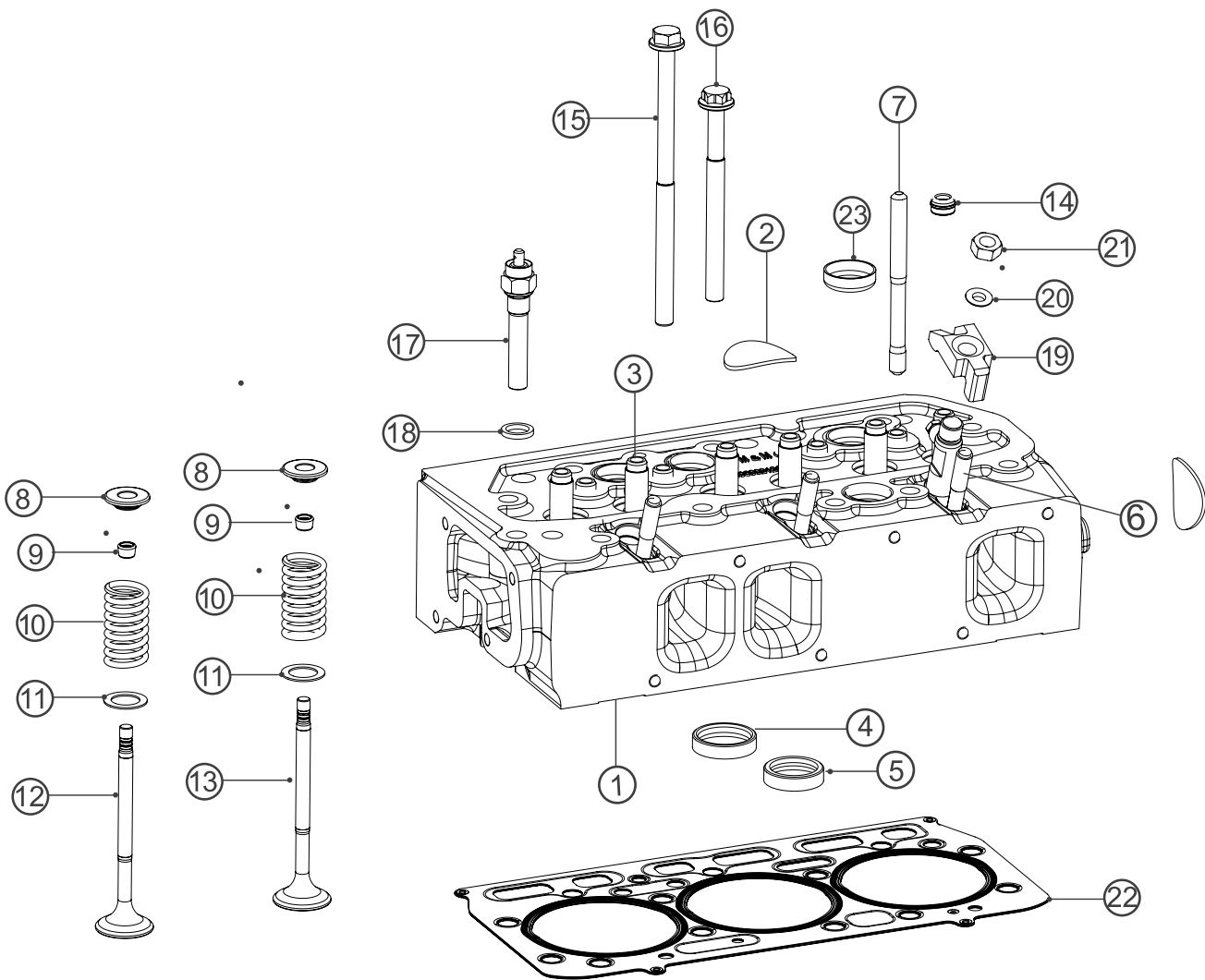


# AIR INTAKE SYSTEM-DRY AIR CLEANER



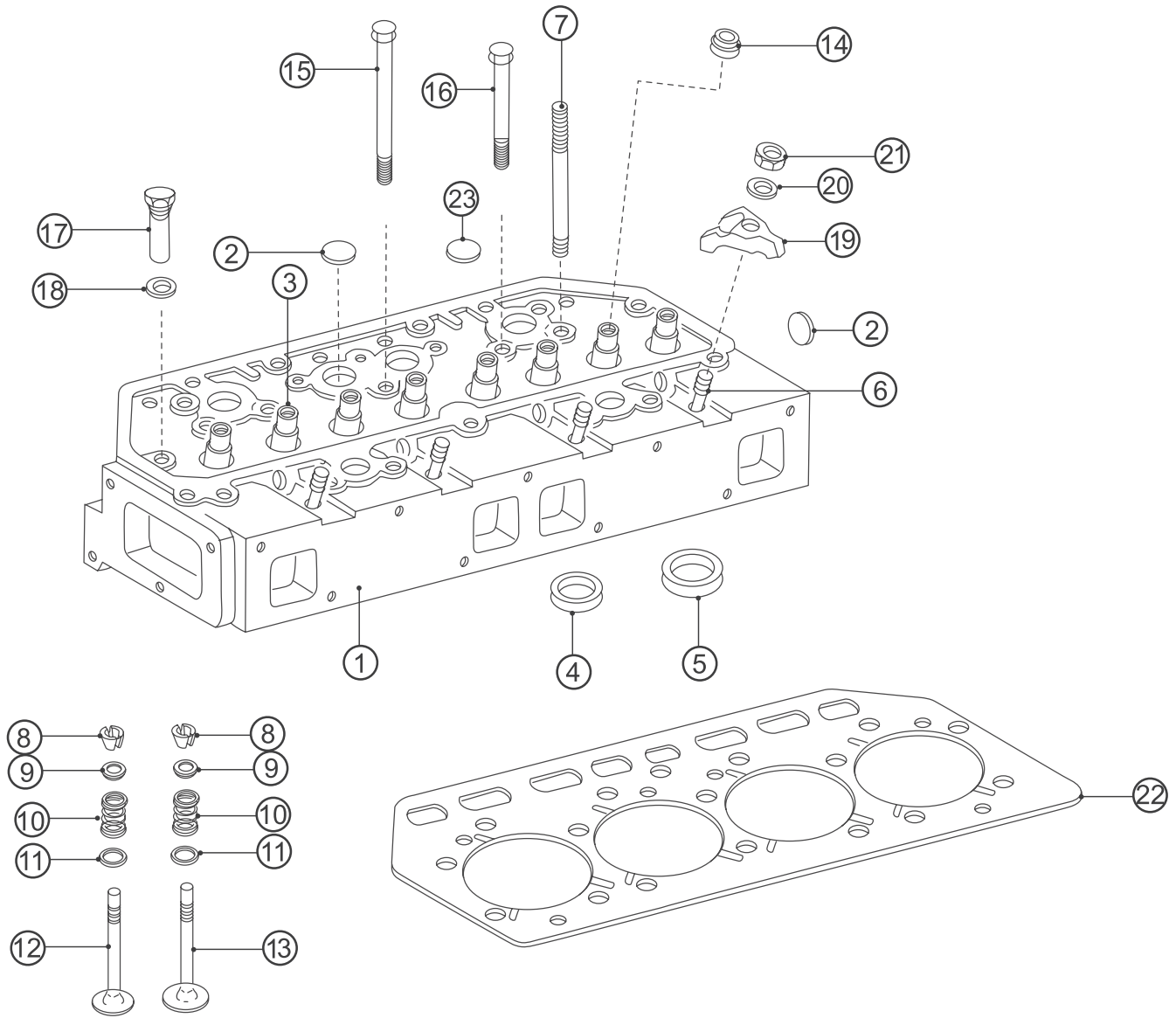


# CYLINDER HEAD ASSY - 3DI



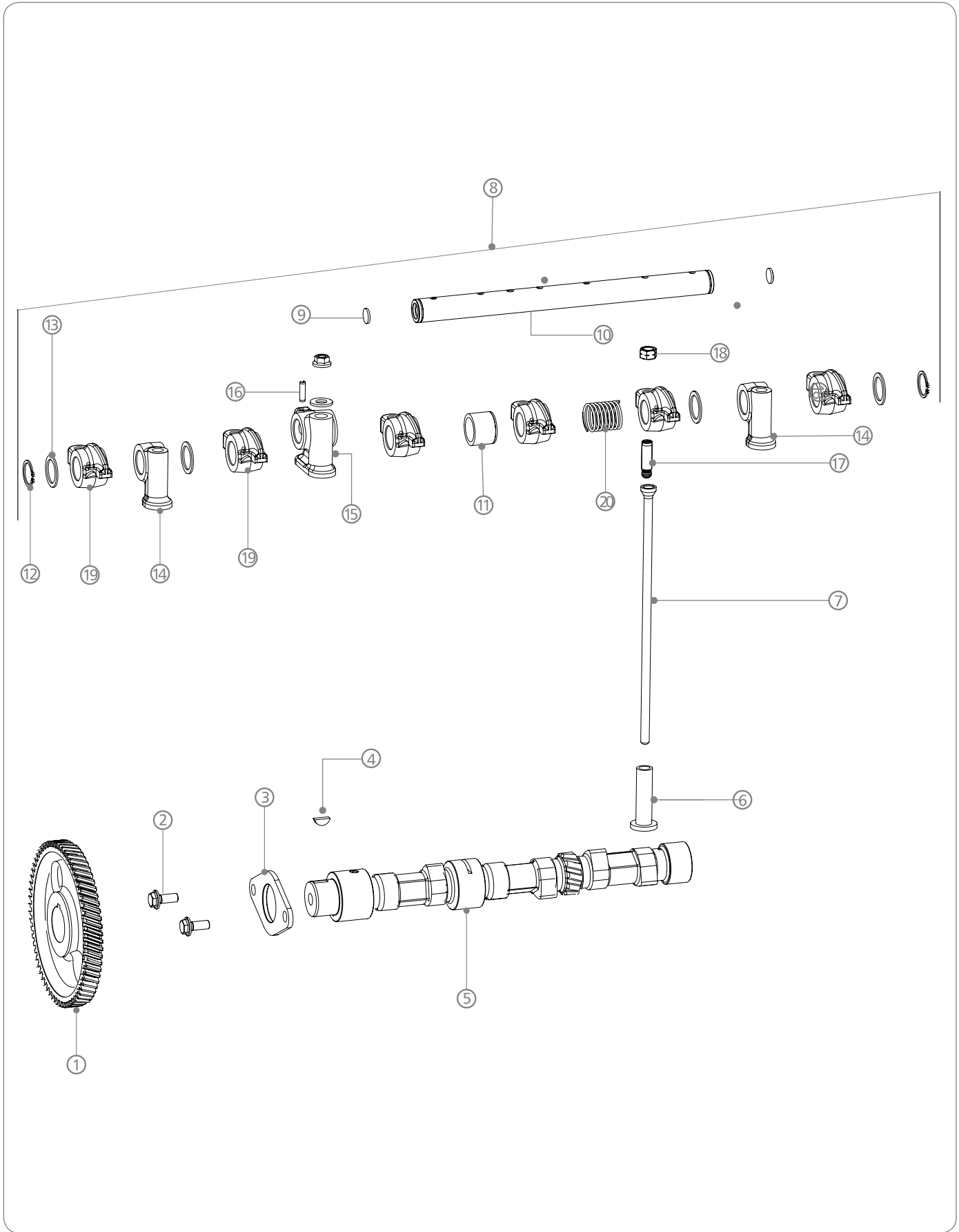


# CYLINDER HEAD ASSY - 4DI





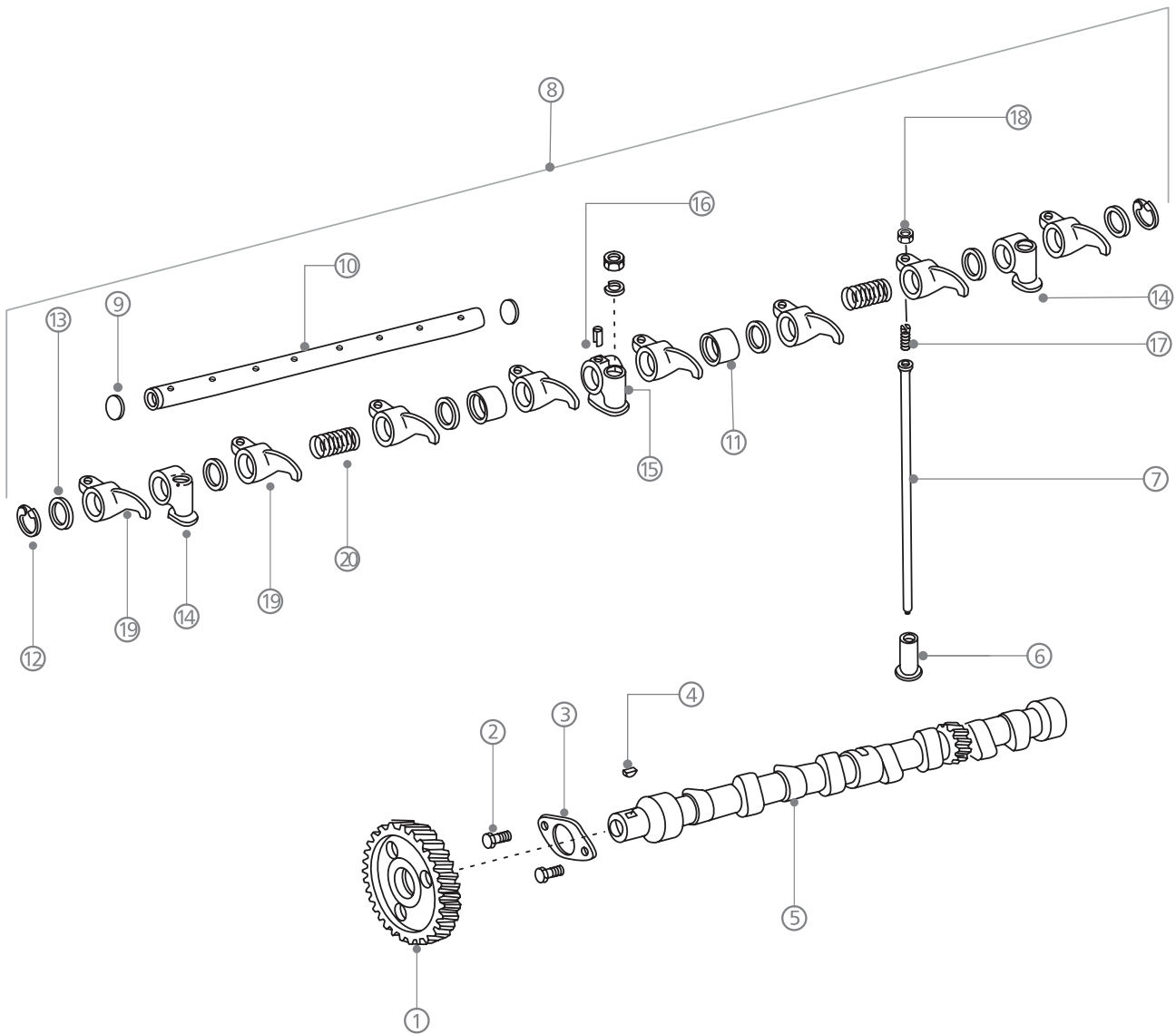
# VALVE TRAIN - 3DI





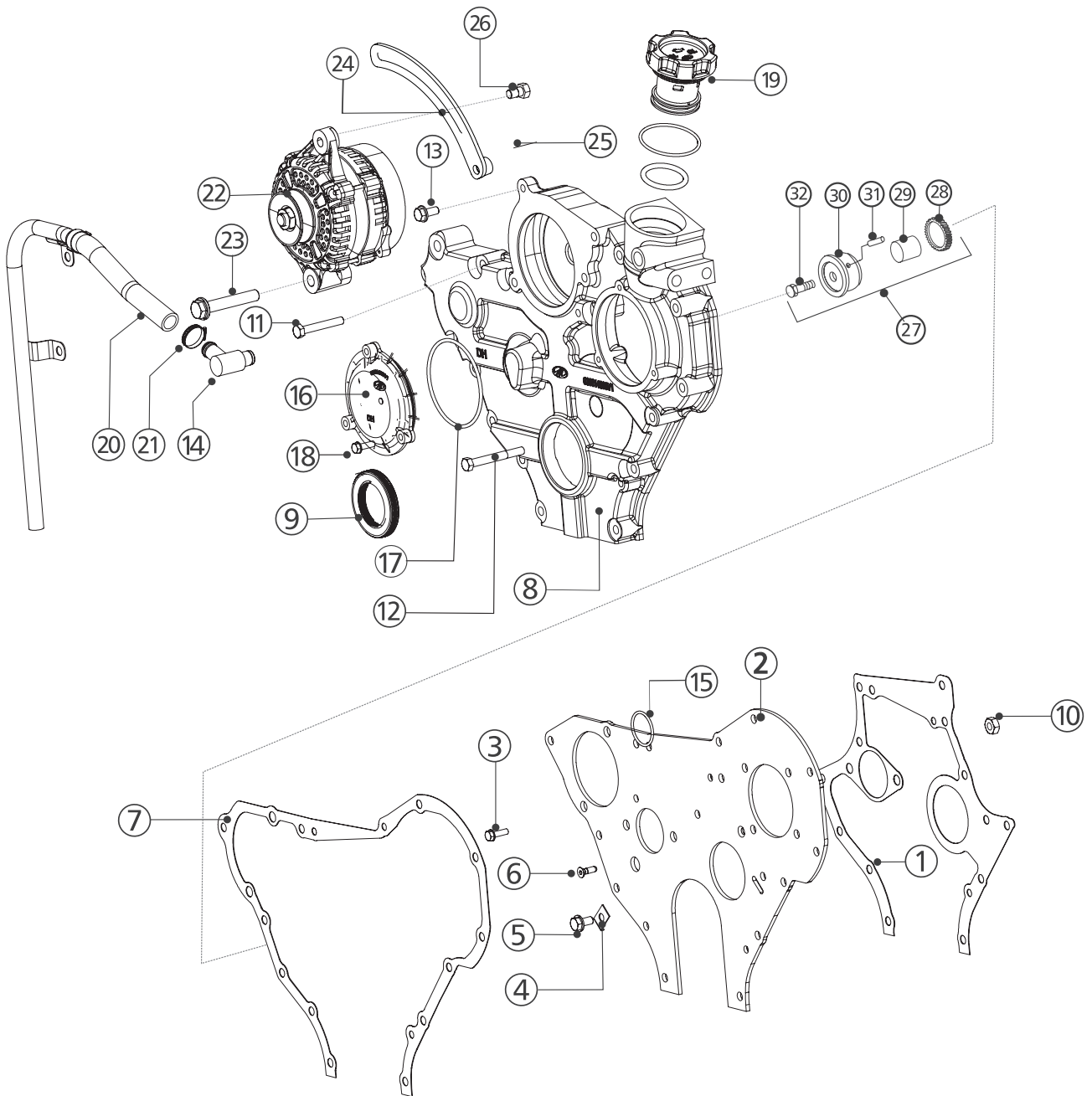


# VALVE TRAIN - 4DI



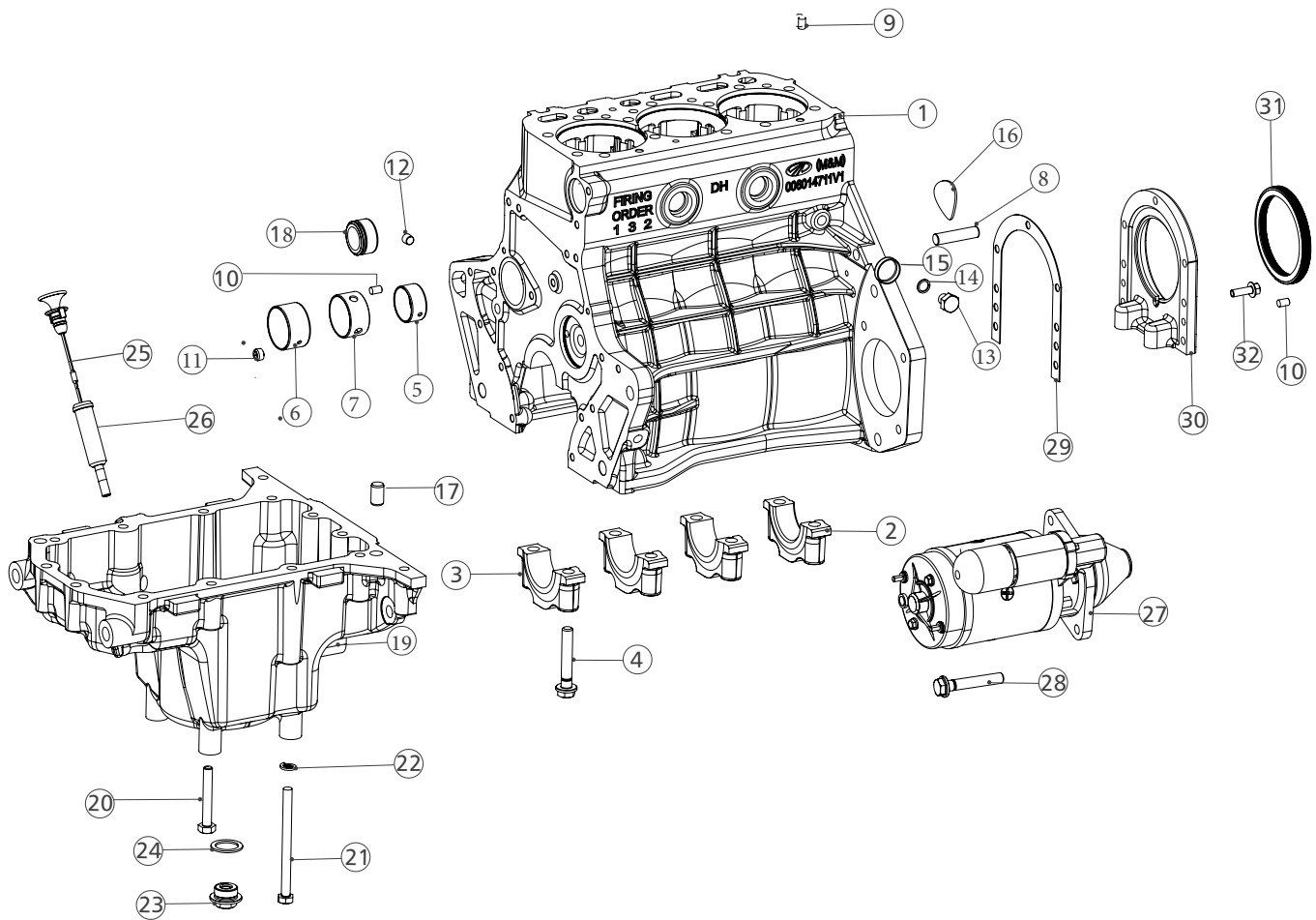


# CRANKCASE FRONT COVER



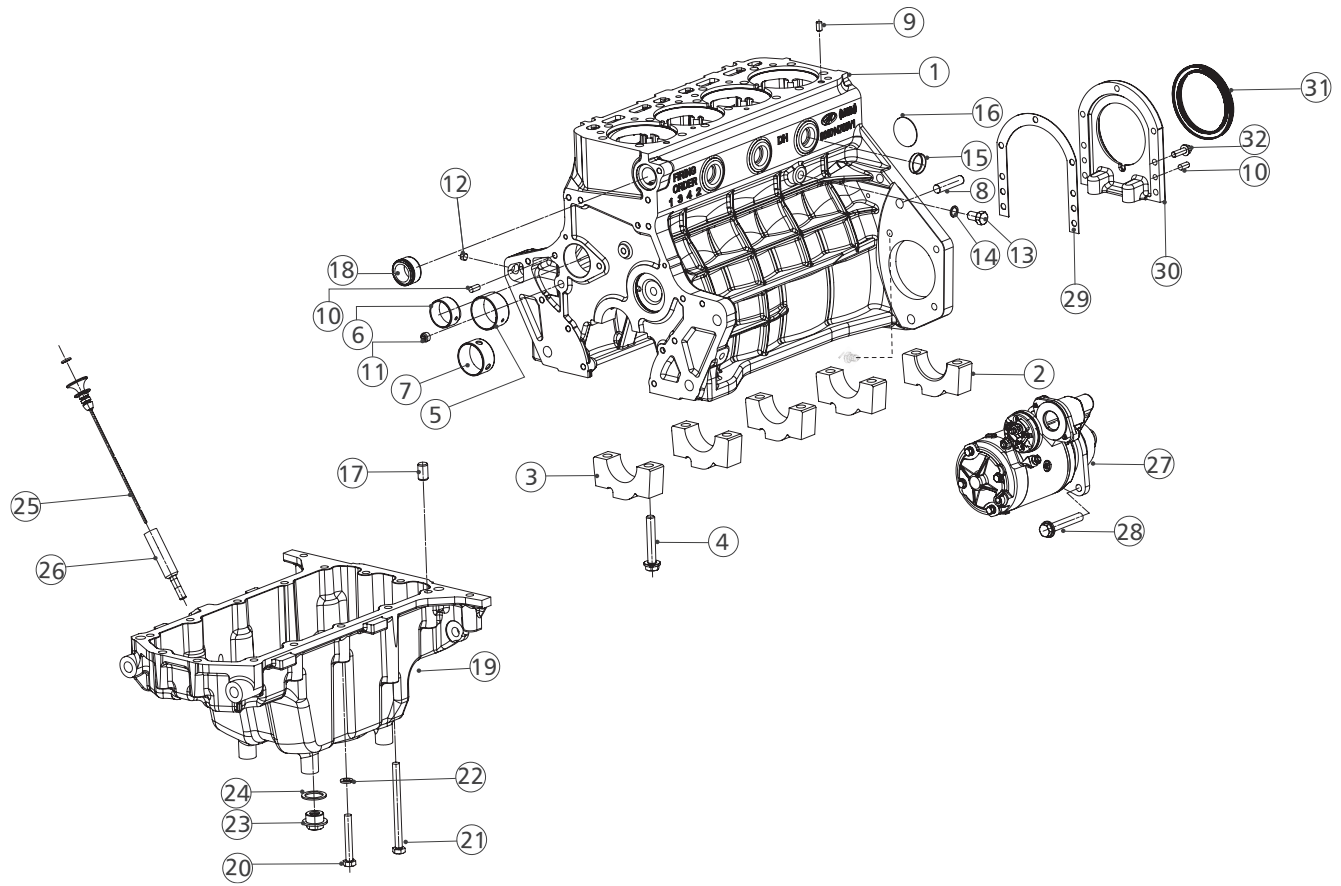


# CRANCKASE WITH OIL PAN - 3DI





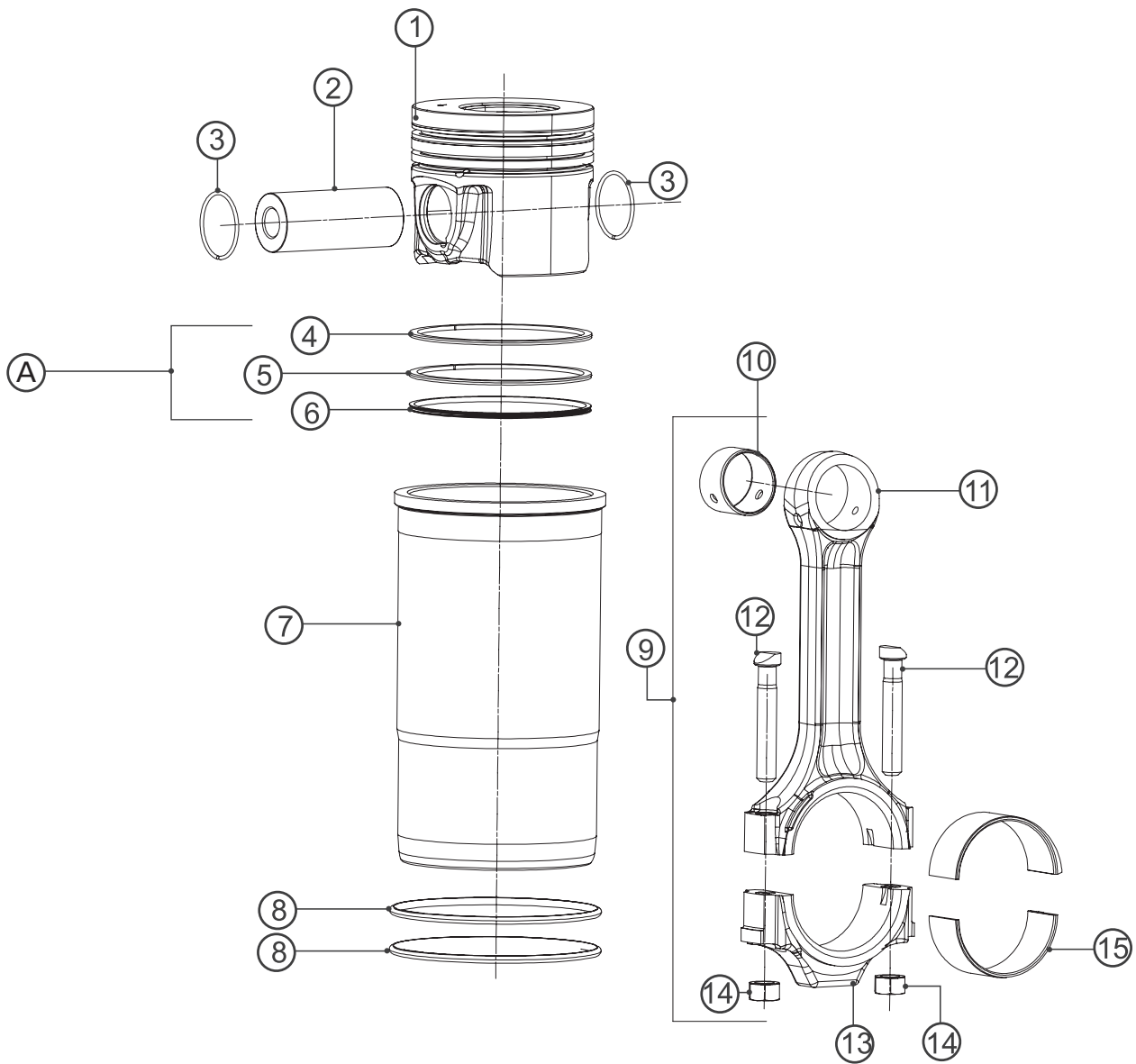
# CRANCKASE WITH OIL PAN - 4DI





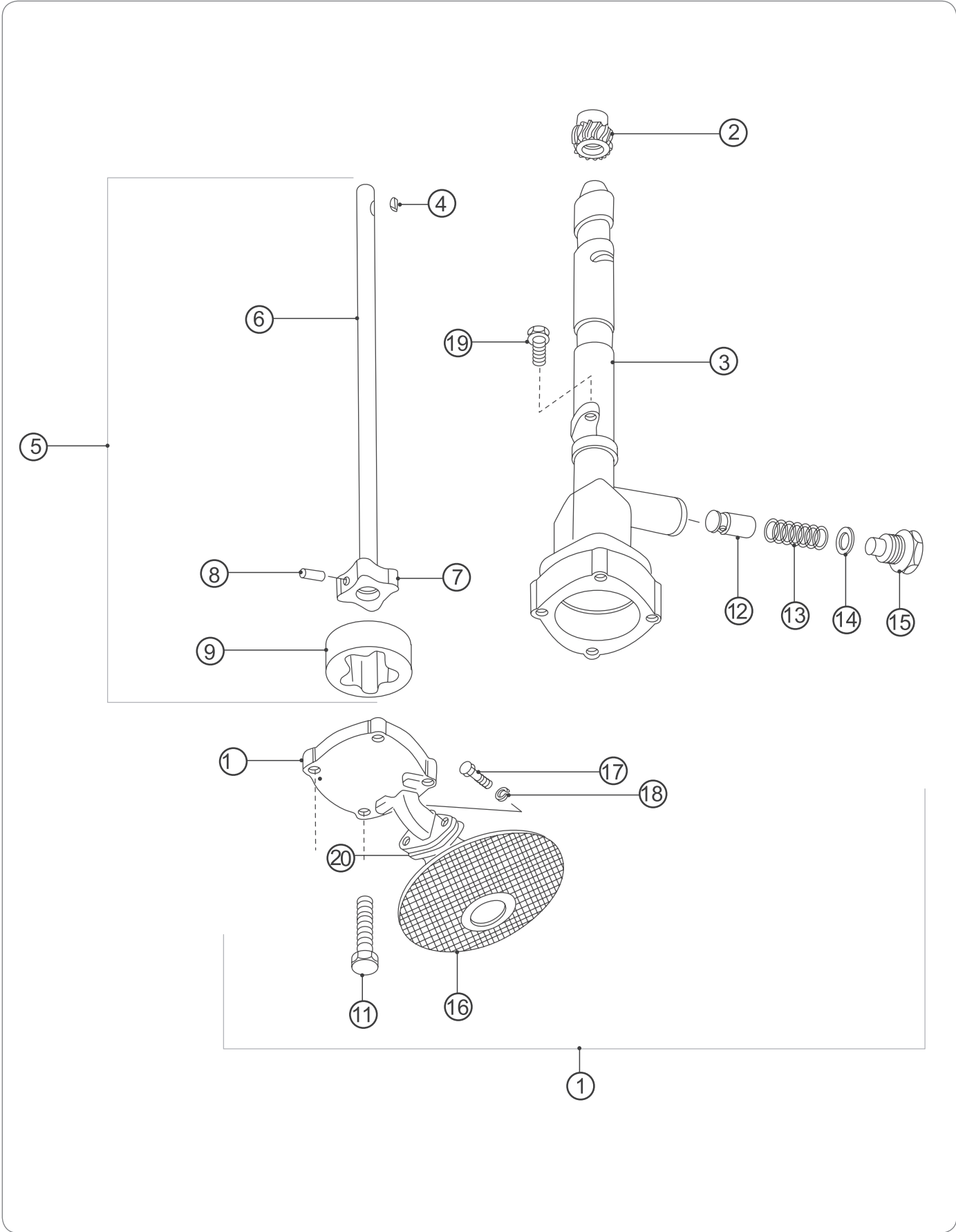


# SLEEVE PISTON & CONNECTING ROD ASSEMBLY



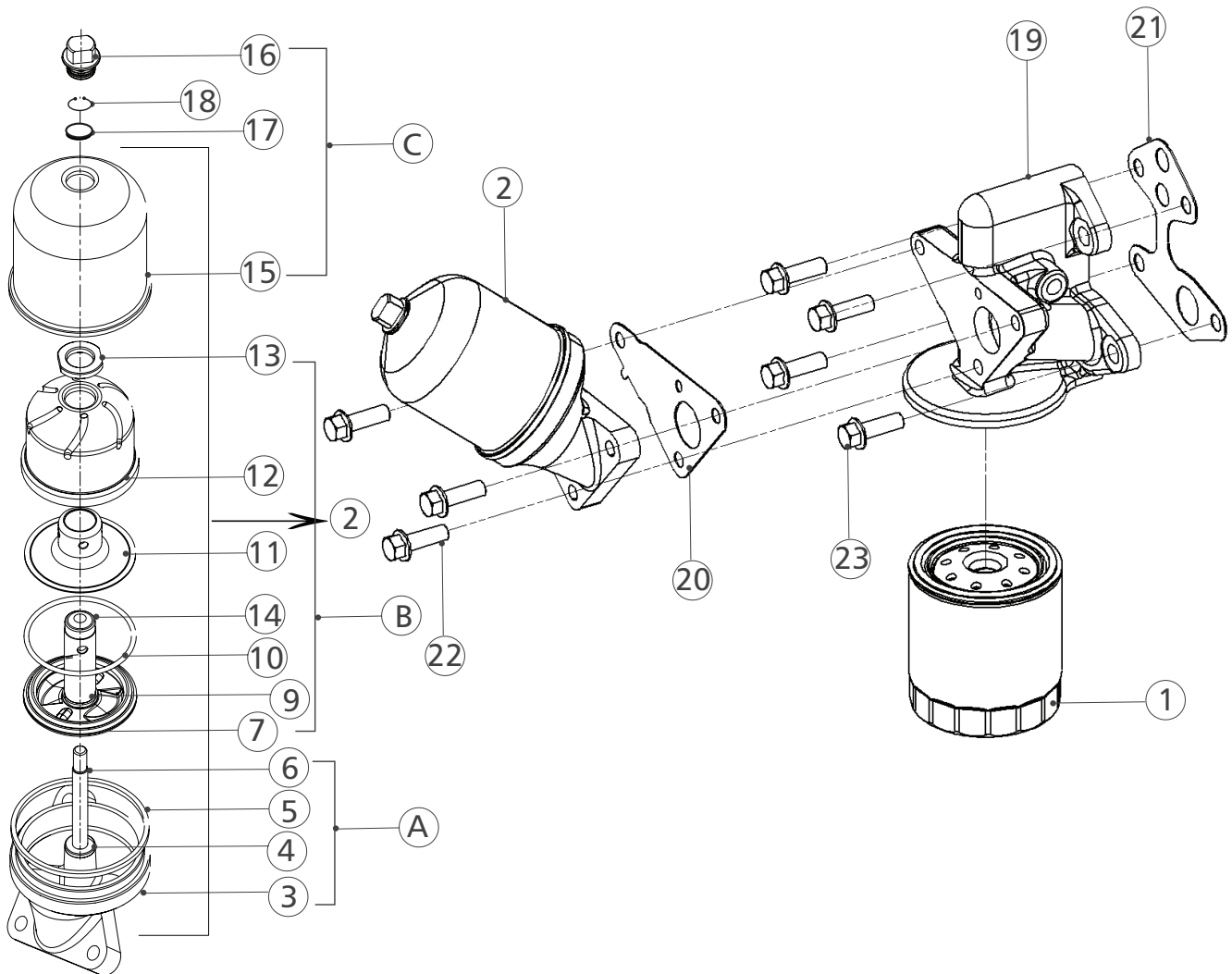


# LUBRICATION SYSTEM



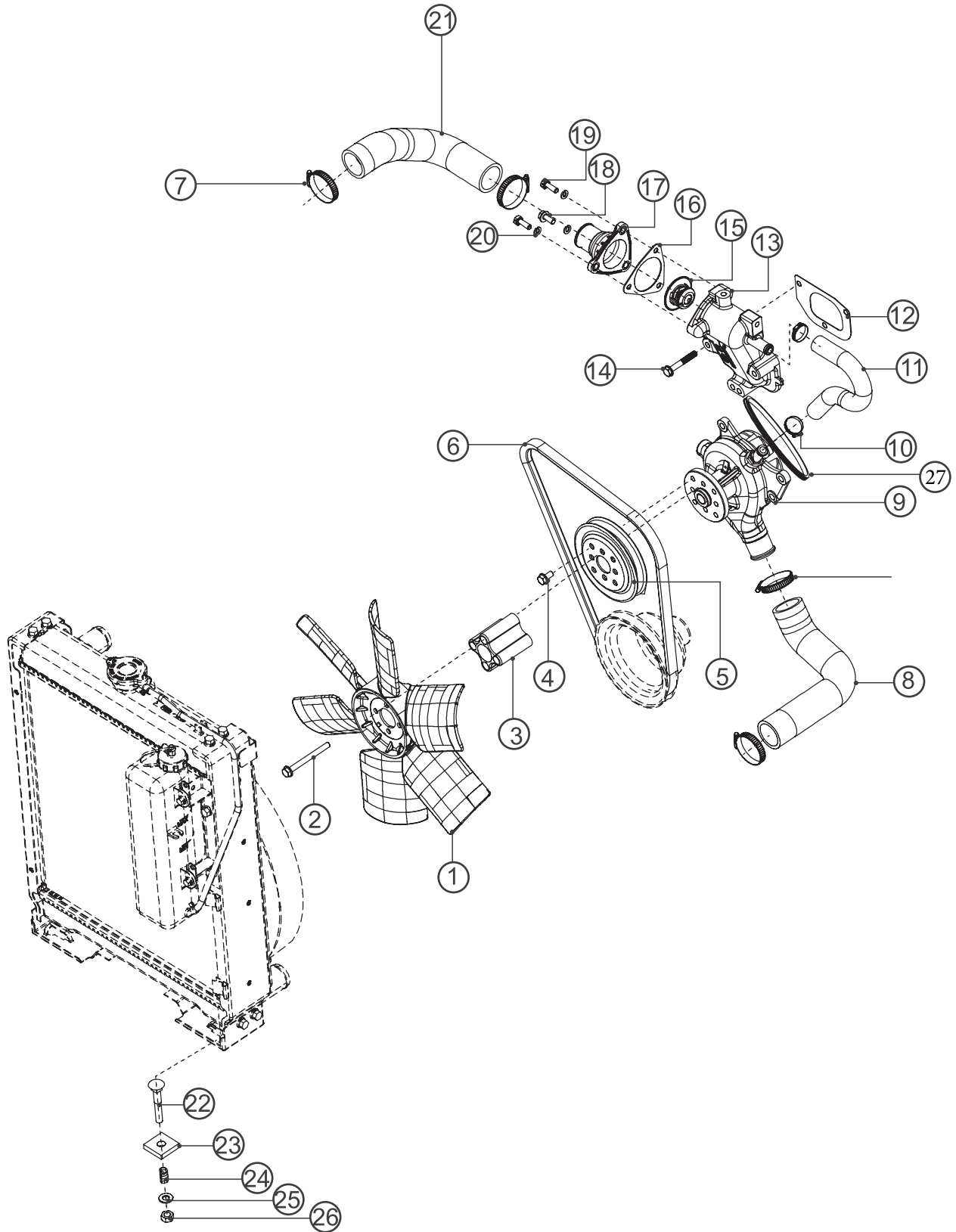


# LUBRICATION SYSTEM (CENTRIFUGAL OIL FILTER)





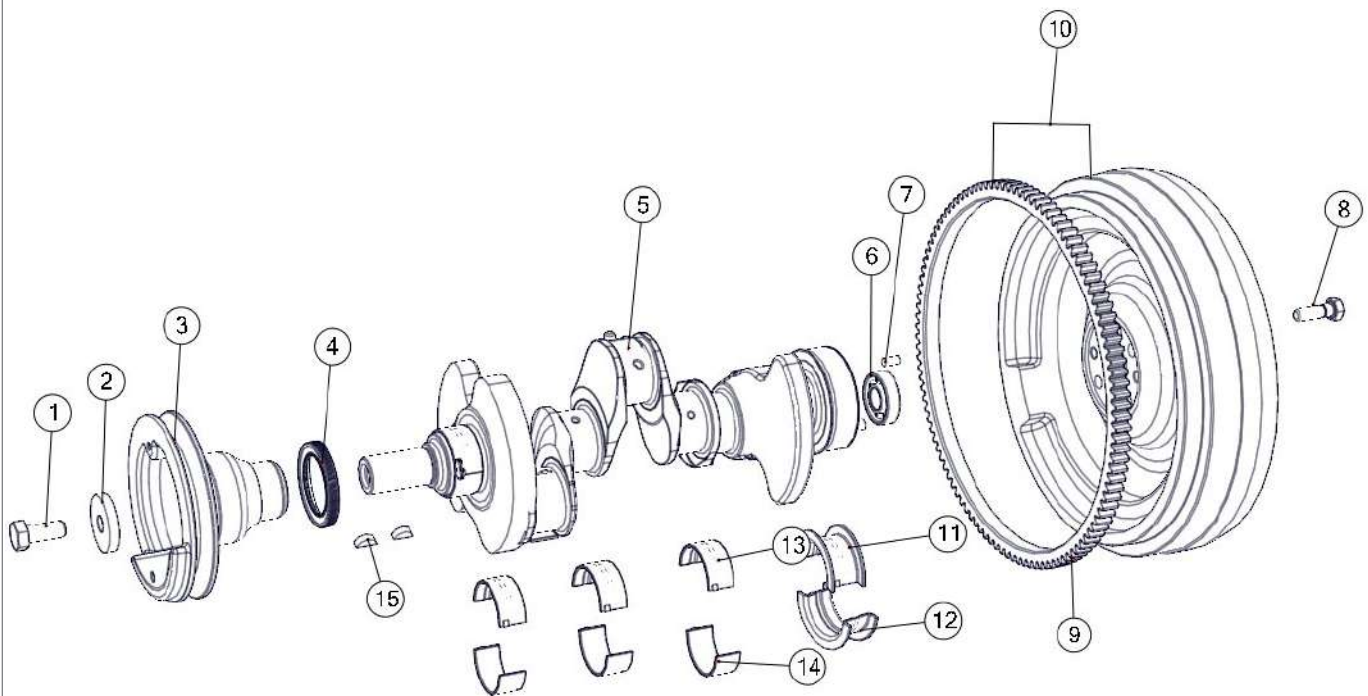
# COOLING SYSTEM





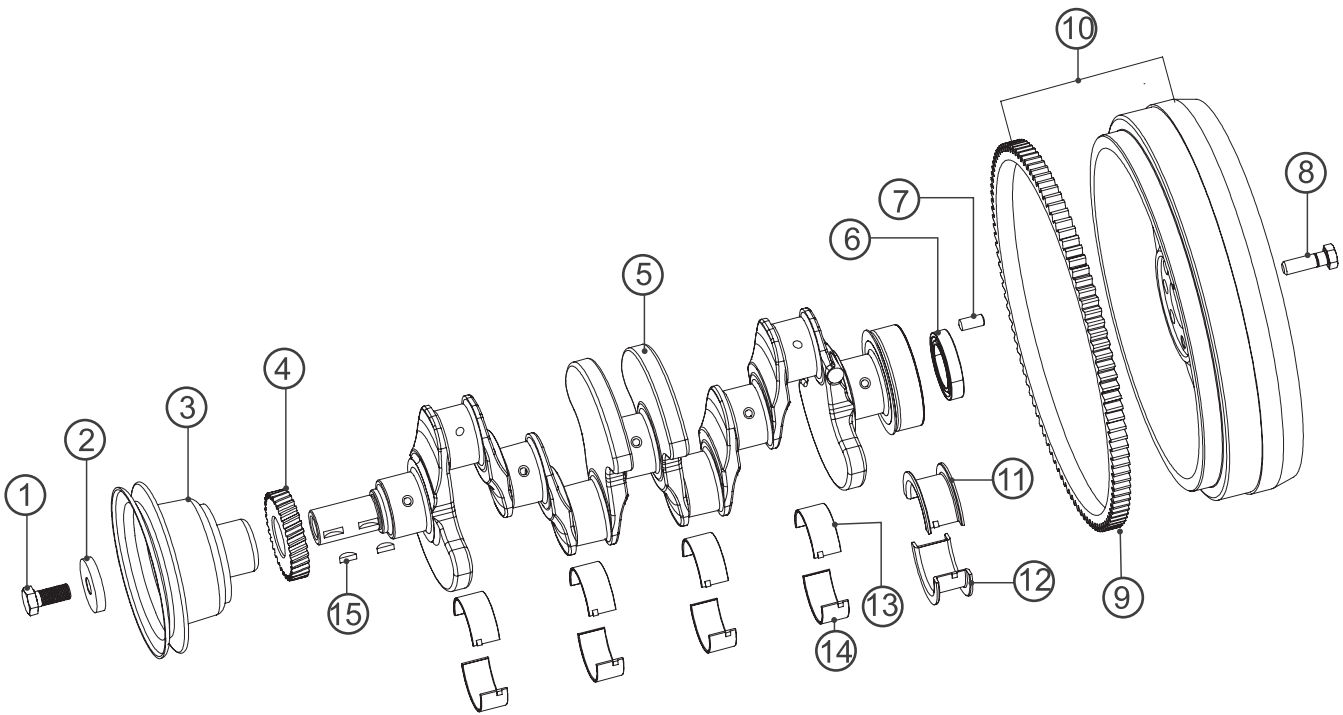


# CRANKSHAFT ASSEMBLY - 3DI



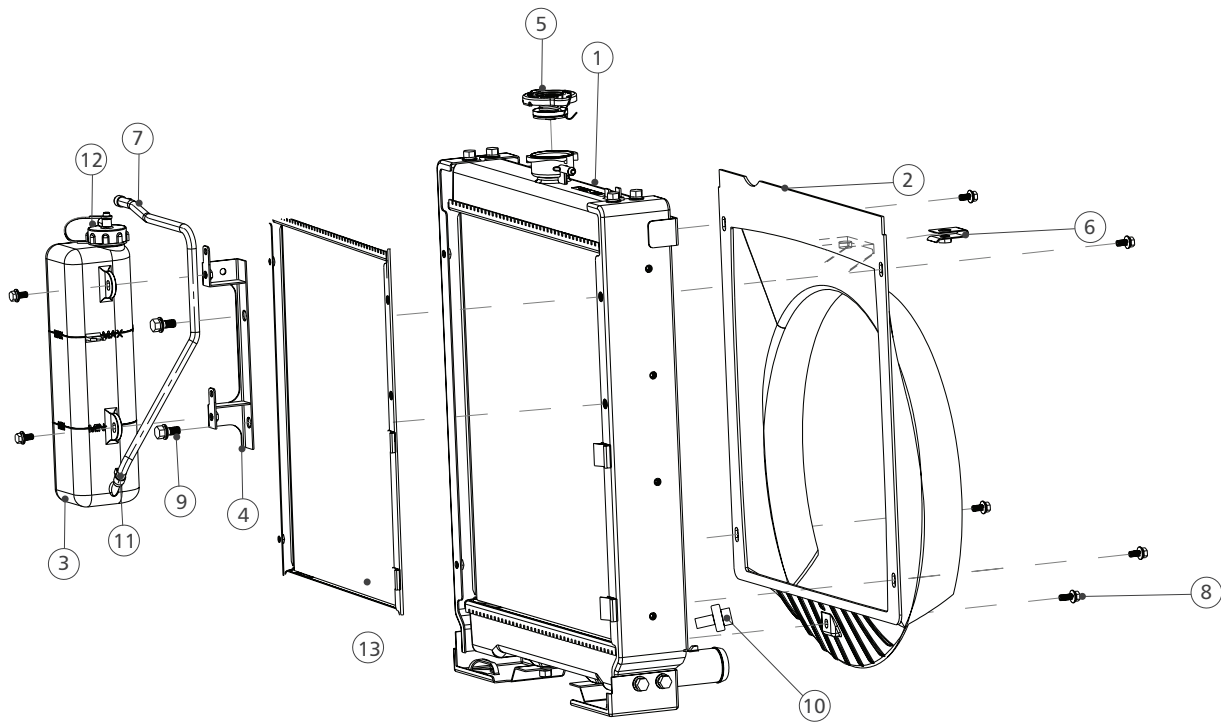


# CRANKSHAFT ASSEMBLY - 4DI



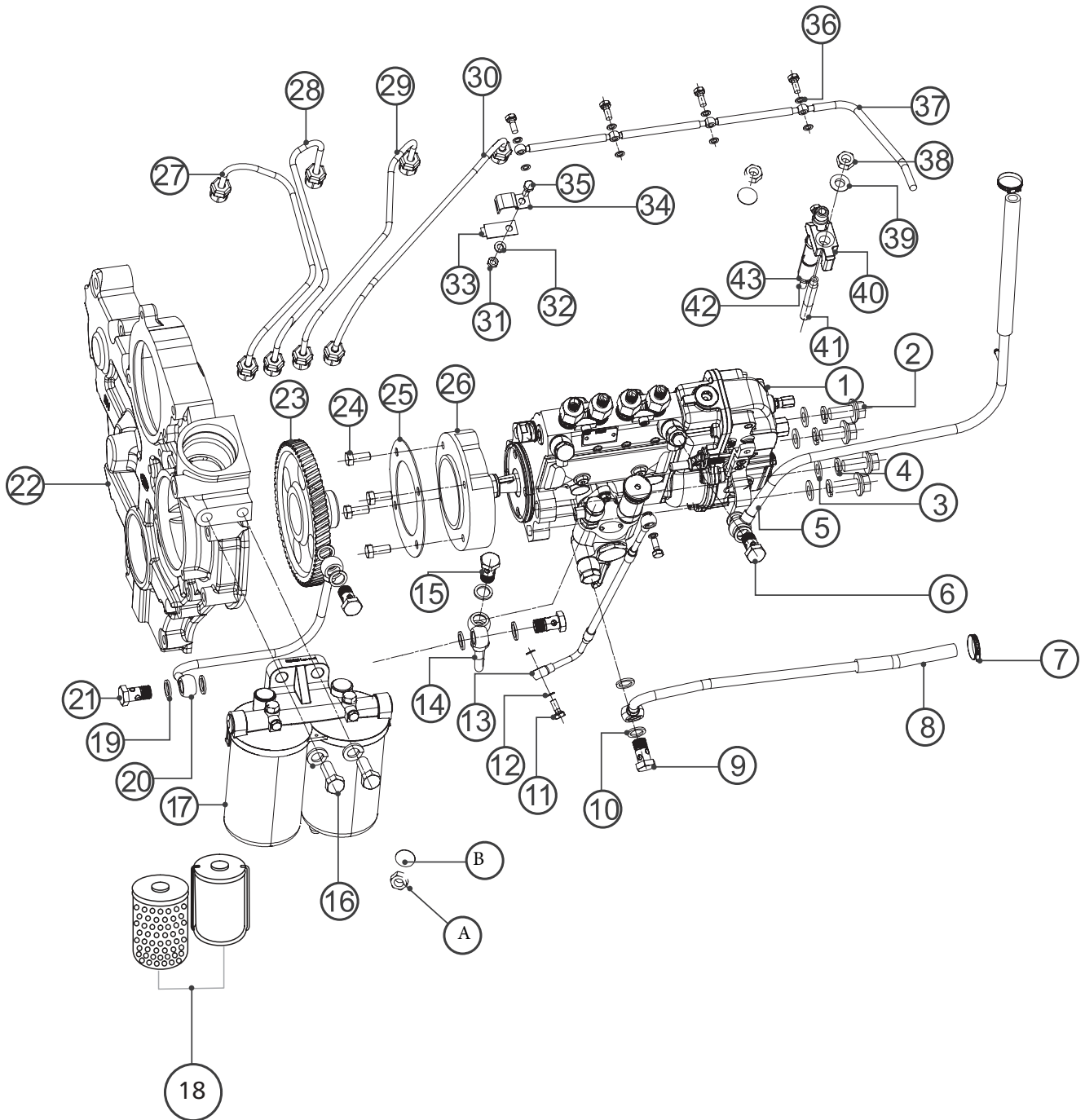


# RADIATOR ASSEMBLY





# FUEL INJECTION SYSTEM





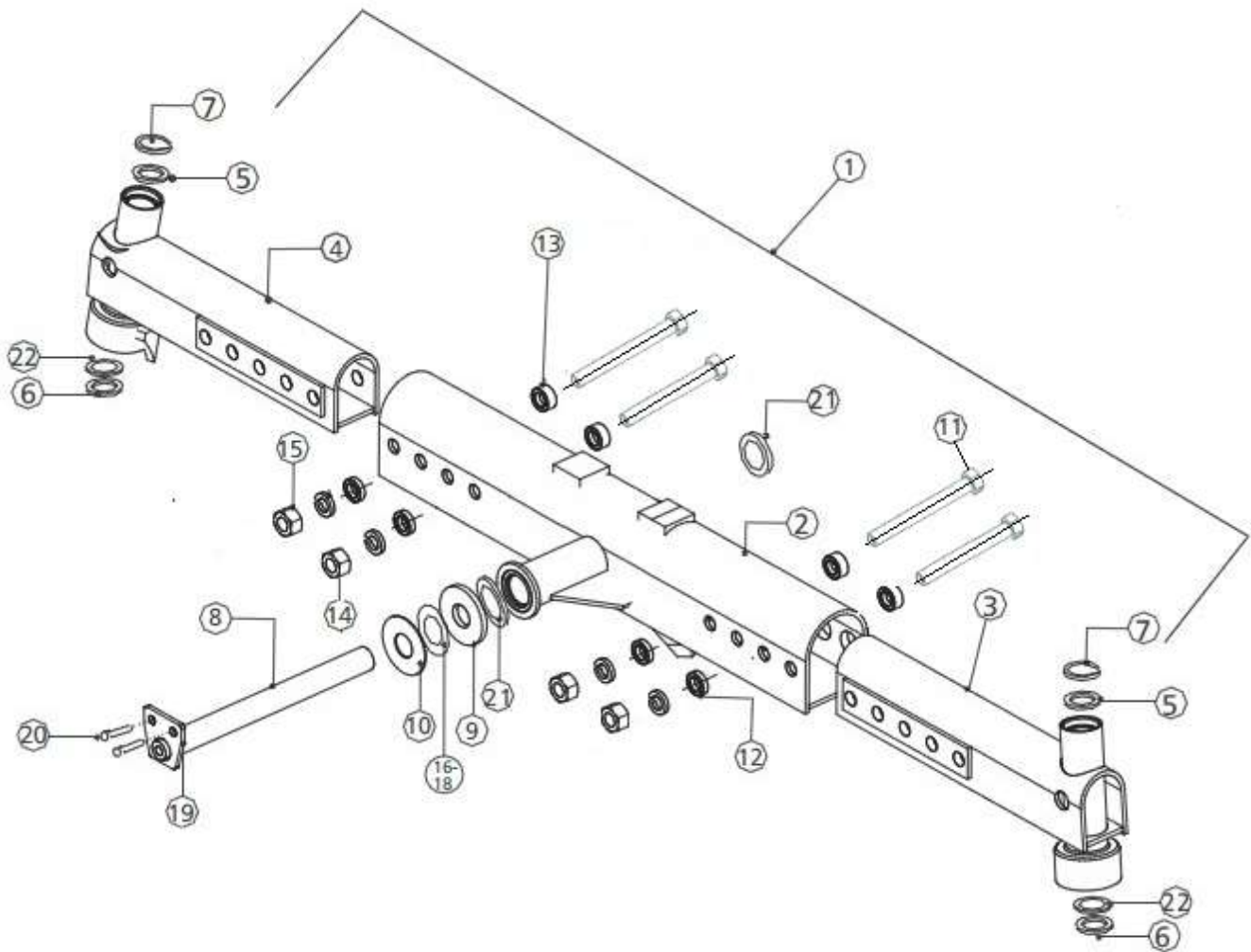
# FUEL INJECTION SYSTEM

| M&M Part Number | Ref. | Description of Part                             | Quantity |     | Remarks / Service Bulletin No. |
|-----------------|------|---|----------|-----|--------------------------------|
|                 |      |   | 3DI      | 4DI |                                |
| ‡               | 1    | FIP INLINE 39HP DHRUV                           | 1        | -   |                                |
| ‡               | 1    | FIP INLINE 42HP DHRUV                           | -        | 1   |                                |
| 000020314E05    | 2    | BOLT HEXFL M10X1.5X35.5X8.8                     | 4        | 4   |                                |
| 000022079RD     | 3    | WASHER PLAIN M10                                | 4        | 4   |                                |
| 000022273RD     | 4    | WASHER SPRING LOCK M10                          | 4        | 4   |                                |
| 006014964V91    | 5    | PIPE FIP OVERFLOW 3DI - DHRUV                   | 1        | -   |                                |
| 006014963V91    | 5    | PIPE FIP OVERFLOW 4DI - DHRUV                   | -        | 1   |                                |
| ‡               | 6    | BOLT BANJO                                      | 1        | 1   |                                |
| 005556668R91    | 7    | HD4EP-201,CLIP PIPE RES.TO PUMP-WORM            | 2        | 2   |                                |
| 006014957V91    | 8    | PIPE TANK TO FEED PUMP 4DI - DHRUV              | -        | 1   |                                |
| 006014958V91    | 8    | PIPE TANK TO FEED PUMP 3DI - DHRUV              | 1        | -   |                                |
| 001232932R1     | 9    | BOLT BANJO-M14                                  | 4        | 4   |                                |
| 006011056B1     | 10   | WASHER SEALING (GASKET) copper fuel sup.        | 4        | 4   |                                |
| 001081723R1     | 11   | BOLT BANJO                                      | 2        | 2   |                                |
| 006009551F1     | 12   | WASHER COPPER 0.413 * 0.528 *                   | 4        | 4   |                                |
| 006009292B1     | 13   | PIPE LUB OIL TO FIP 295DI                       | 1        | -   |                                |
| 006005669B1     | 13   | PIP E CPT E FIP LUBRICATION                     | -        | 1   |                                |
| 006019645V91    | 14   | PIPE FEEDPUMP TO FILTER DHRUV                   | 1        | 1   |                                |
| 001232932R1     | 15   | BOLT BANJO-M14                                  | 4        | 4   |                                |
| 000016469P04    | 16   | BOLT HEXFL M12X1.75X35X10.9                     | 2        | 2   |                                |
| 006014906V91    | 17   | FUEL FILTER ASSLY - DHRUV                       | 1        | 1   |                                |
| 006020810V1     | 18   | ▶ ELEMENT FUEL FILTER STAR TYPE DHRUV           | 2        | 2   |                                |
| 006023208V1     | A    | ▶ SLUDGE SCREW NYLON                            | 2        | 2   |                                |
| 006023209V1     | B    | ▶ O- RING                                       | 2        | 2   |                                |
| 006011056B1     | 19   | WASHER SEALING (GASKET) copper fuel sup.        | 8        | 8   |                                |
| 006019646V91    | 20   | PIPE FUEL FILTER TO FIP DHRUV                   | 1        | 1   |                                |
| 001232932R1     | 21   | BOLT BANJO-M14                                  | 4        | 4   |                                |
| 006014039V1     | 22   | CRANKCASE FRONT COVER                           | 1        | 1   |                                |
| 006013257B1     | 23   | BS3A STEEL FIP GEAR                             | 1        | 1   |                                |
| 000020307E05    | 24   | BOLT Flanged M8 X 1.25- 6g X 20 HEX-H3          | 4        | 4   |                                |
| 006025888V1     | 25   | GASKET F.I.P.ADAPTER PLATE                      | 1        | 1   |                                |
| 006011999B1     | 26   | FIP FLANGE PLATE BS3A                           | 1        | 1   |                                |
| 006014951V91    | 27   | PIPE - HPP CYL NO 1 TC DHRUV -39 HP,45HP        | 1        | 1   |                                |
| 006014719V91    | 27   | PIPE - HPP CYL NO 1 NA DHRUV-31 HP, 39 HP,42HP, | 1        | 1   |                                |
| 006014952V91    | 28   | PIPE - HPP CYL NO 2 TC DHRUV 39 HP,45HP         | 1        | -   |                                |
| 006014720V91    | 28   | PIPE - HPP CYL NO 2 NA DHRUV 31HP,39HP,42HP     | 1        | 1   |                                |
| 006014953V91    | 29   | PIPE - HPP CYL NO 3 TC DHRUV 39HP,45HP          | 1        | -   |                                |
| 006014721V91    | 29   | PIPE - HPP CYL NO 3 NA DHRUV 31HP,39HP,42HP     | 1        | 1   |                                |
| 006014954V91    | 30   | PIPE - HPP CYL NO 4 NA DHRUV 45 HP              | -        | 1   |                                |
| 001233807R1     | 31   | NUT HEX M6 X 1.0 X 5 X 6.6                      | 2        | 2   |                                |
| 001233808R1     | 32   | WASHER SPRING M6                                | 2        | 2   |                                |
| 000022201RD     | 33   | CLAMP INJ PIPE MALE                             | 2        | 2   |                                |
| 000022202RD     | 34   | CLAMP FEMALE                                    | 2        | 2   |                                |
| 000022206RD     | 35   | BOLT HEX M6X1X16X8.8                            | 2        | 2   |                                |
| ‡               | 36   | COPPER WASHER                                   | 6        | 4   |                                |
| 006014900V1     | 37   | PIPE INJECTOR SPILL 3DI - DHRUV                 | 1        | -   |                                |
| 006014965V91    | 37   | PIPE INJECTOR SPILL 4DI - DHRUV                 | -        | 1   |                                |
| 000020777E05    | 38   | NUT HEX FL M8 X 1.25 X 8.7 X 8                  | 3        |     |                                |



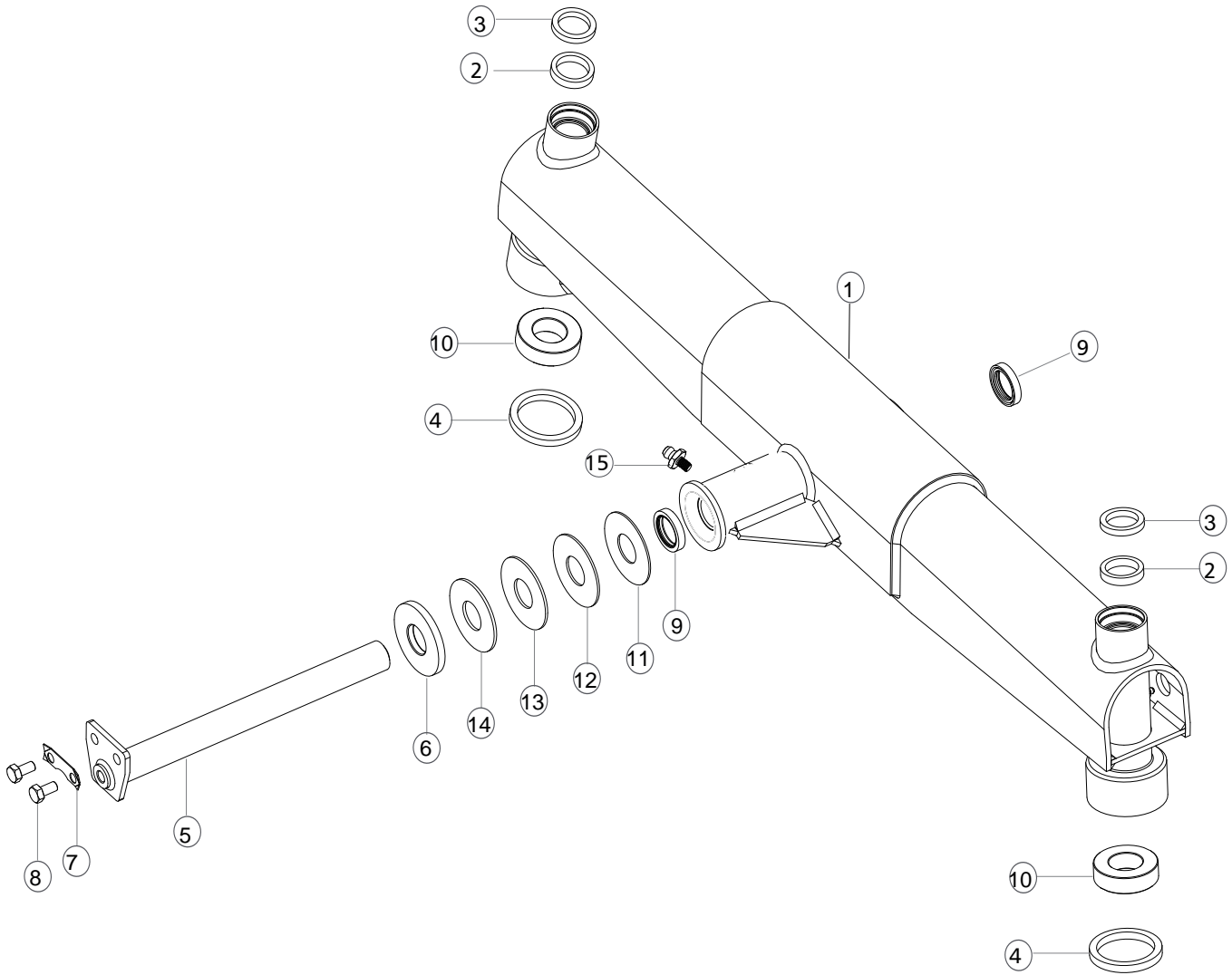
**SHEET METAL**

# FRONT AXLE



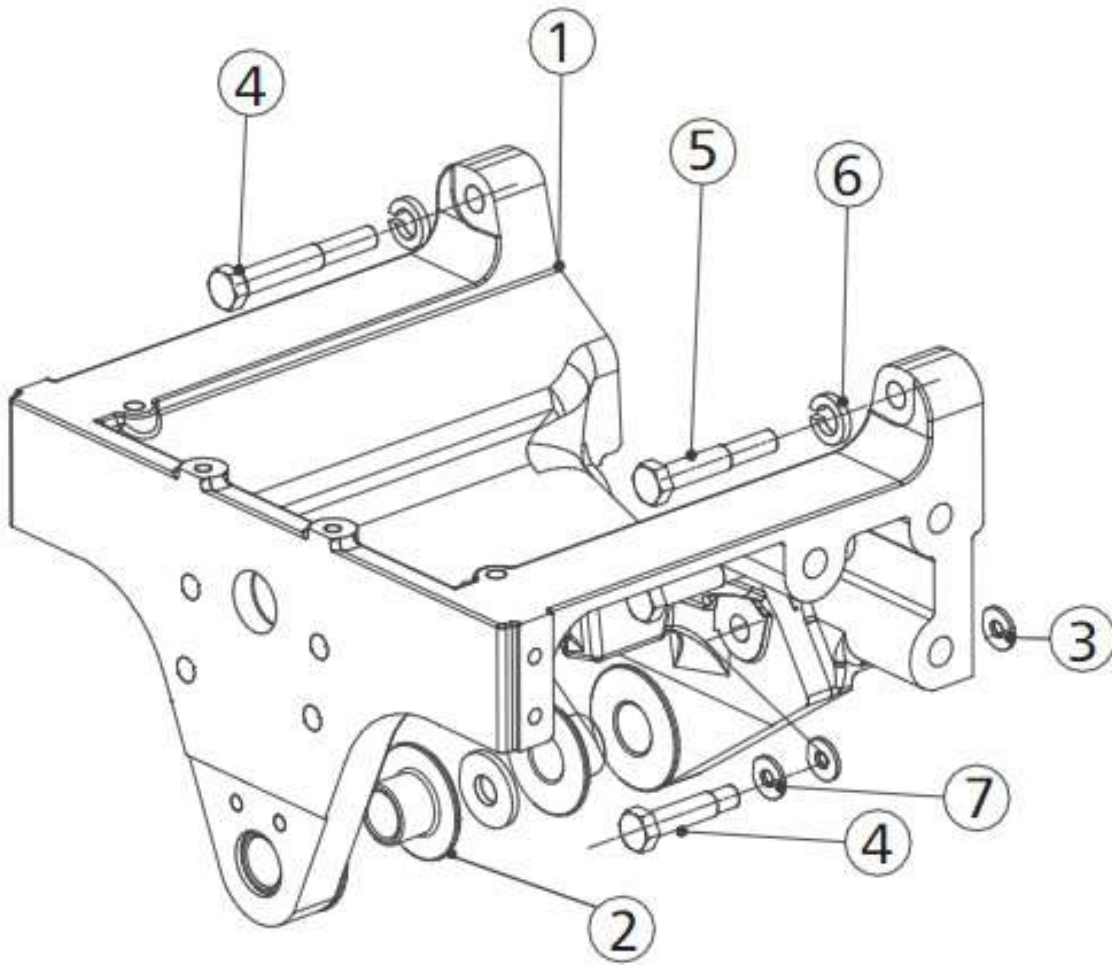


# FRONT AXLE SINGLE PIECE





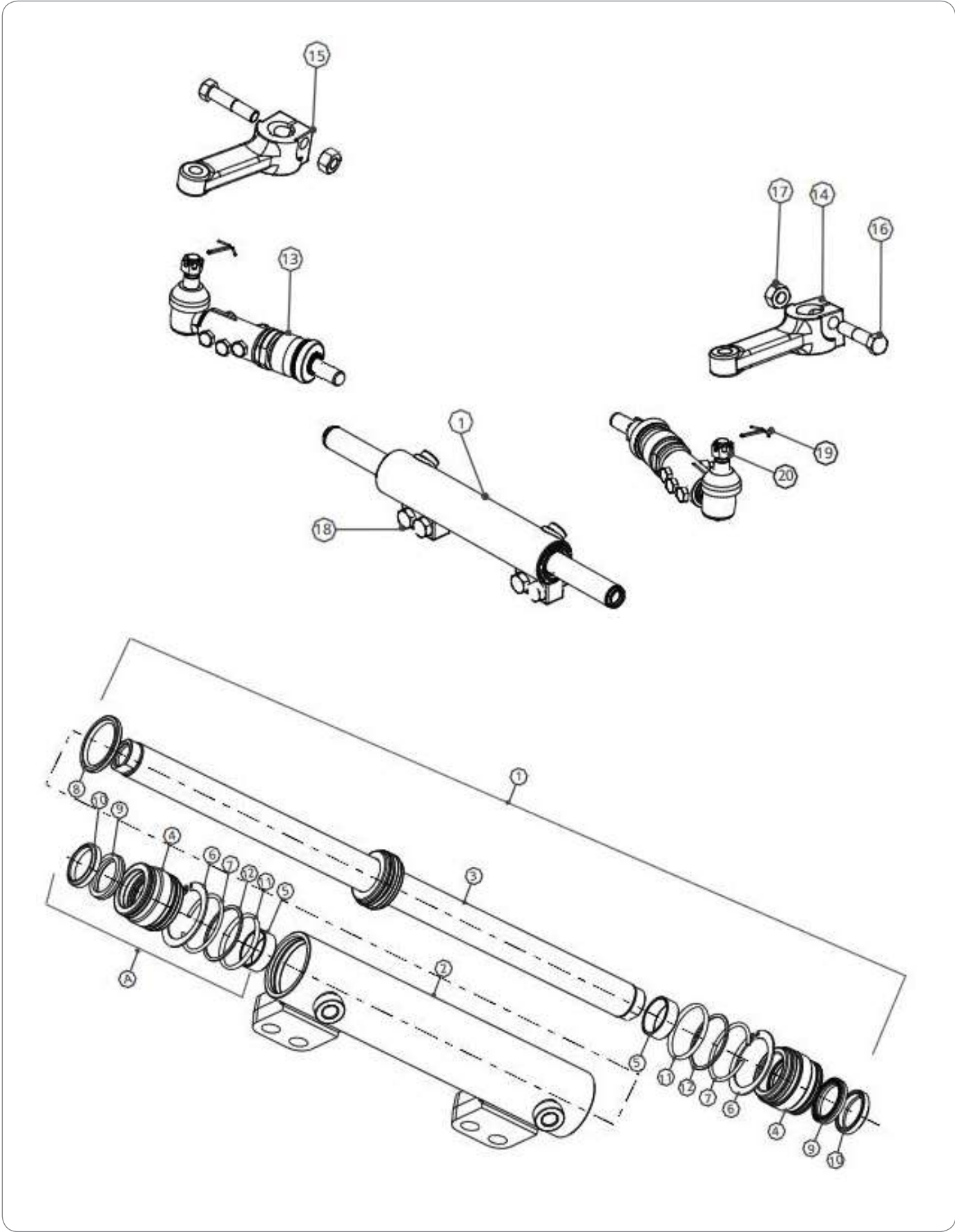
# FRONT AXLE SUPPORT





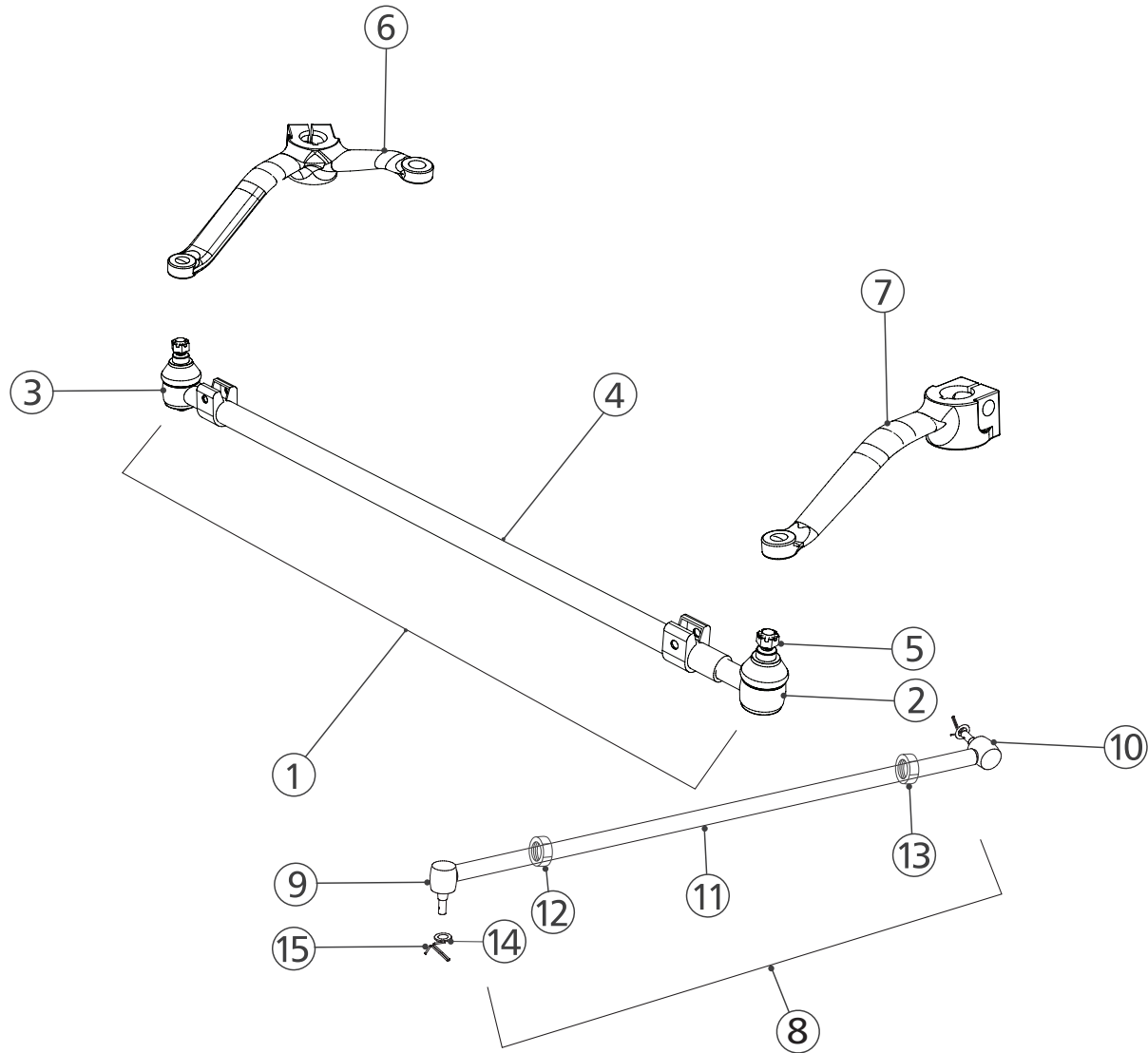


# PS CONNECTING TIE ROD AND KNUCKLE ARM



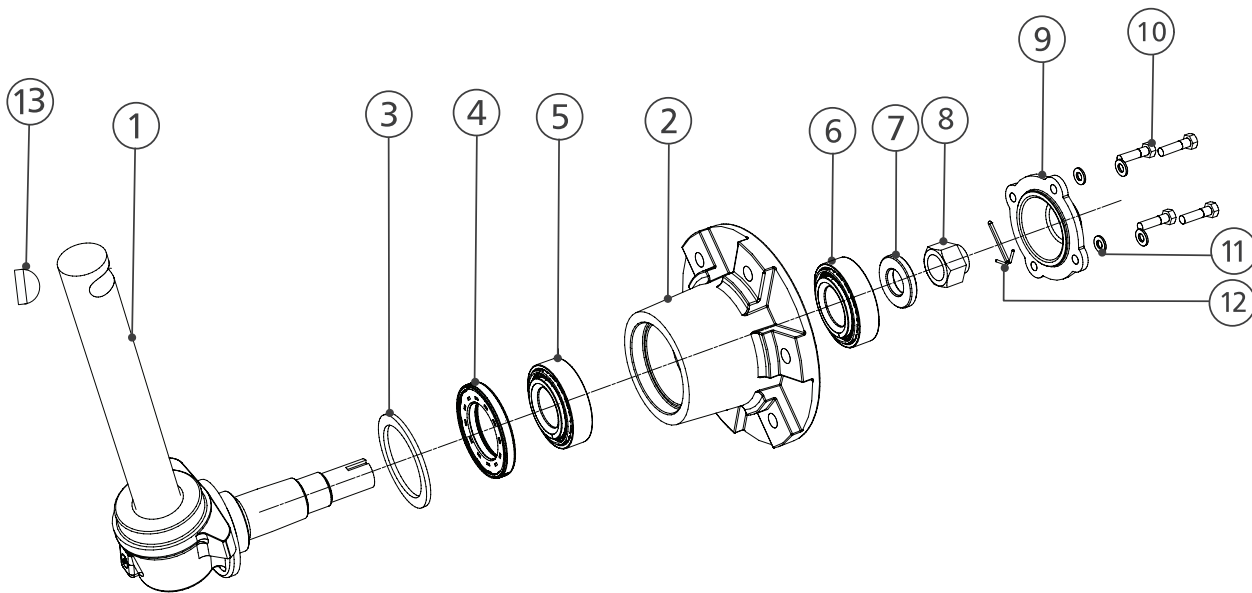


# TIE ROD AND STEERING KNUCKLE MECHANICAL



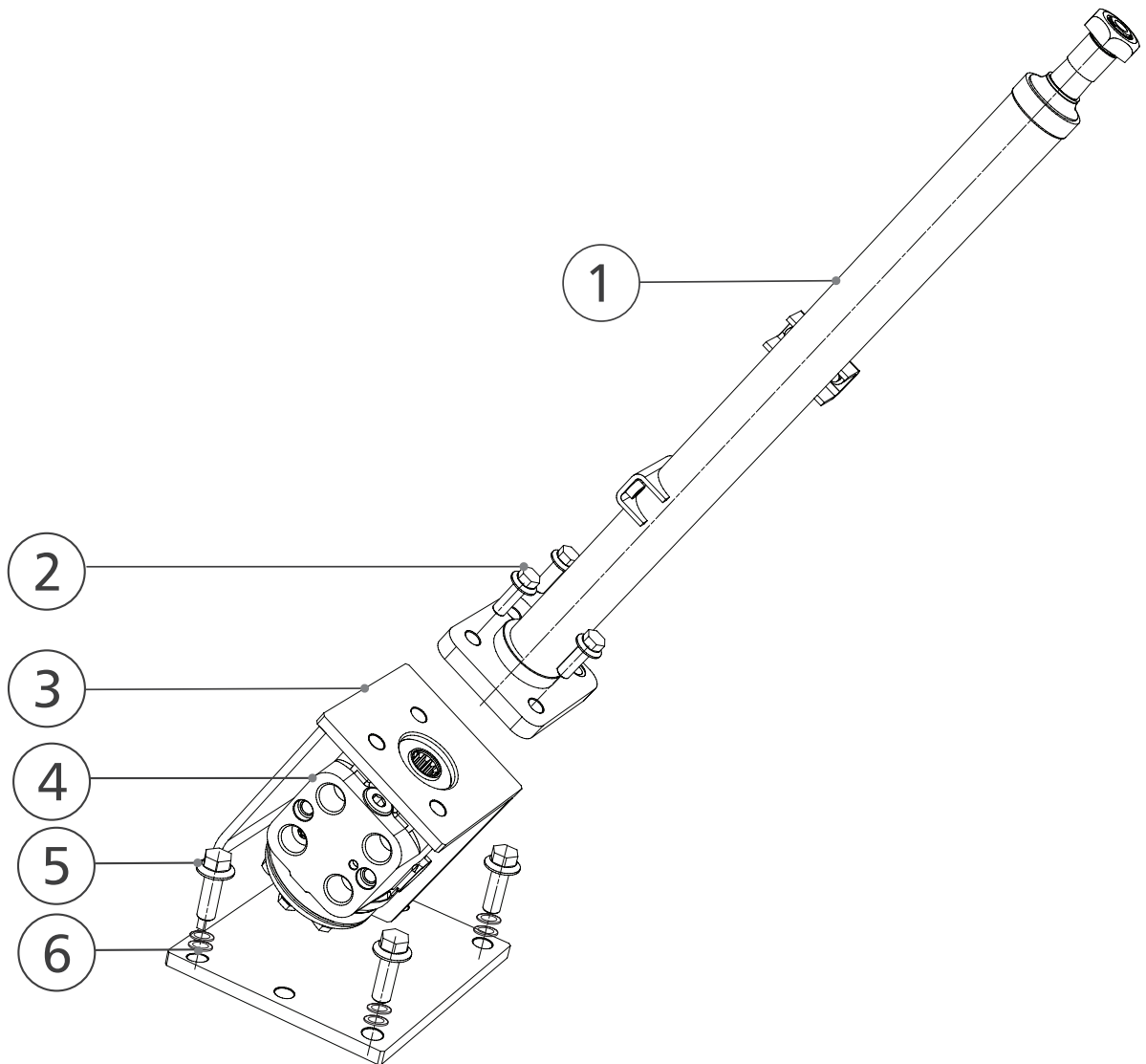


# HUB ASSEMBLY POWER STEERING





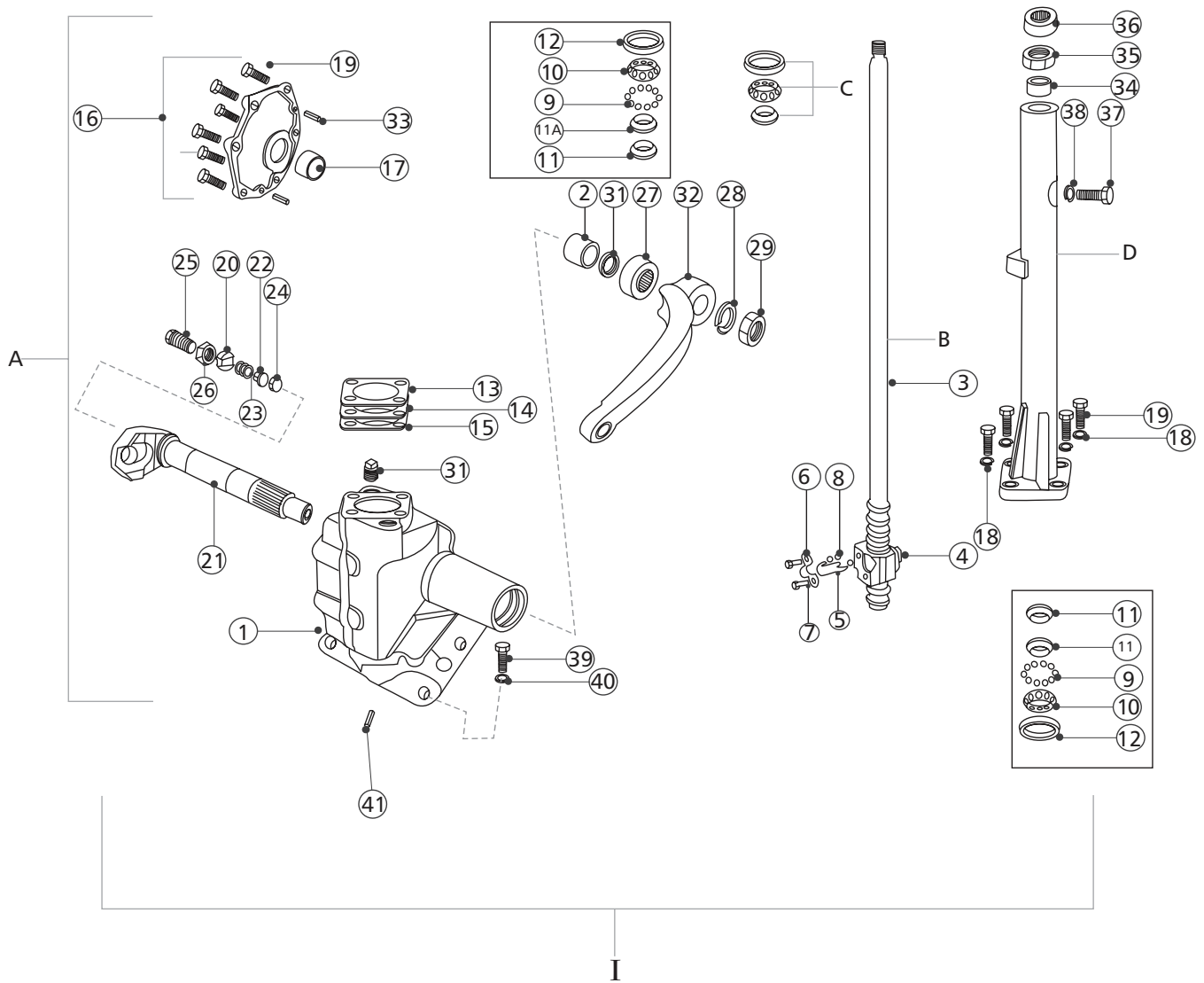
# HSU MOUNTING BRACKET & STEERING COLUMN







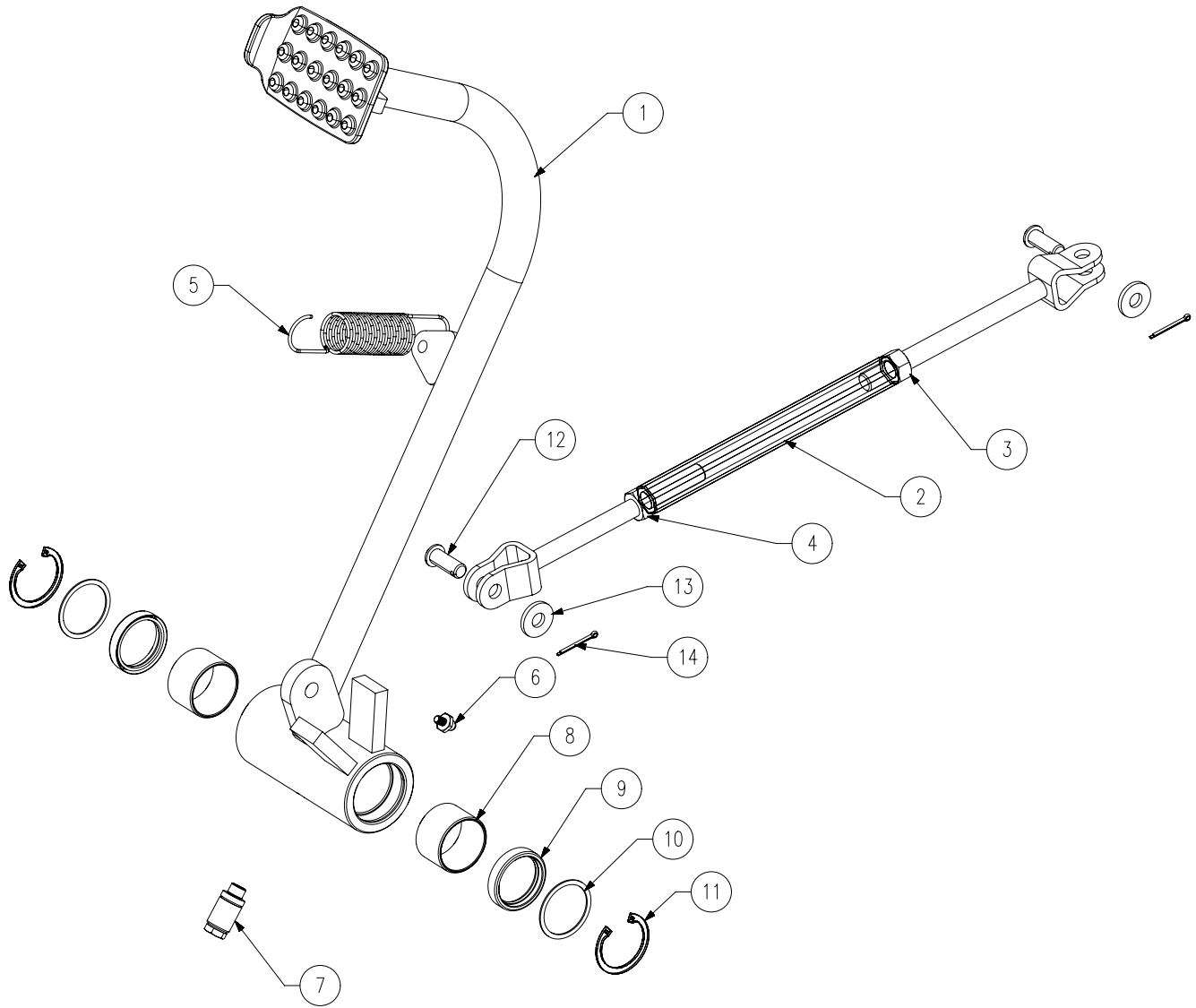
# DRAG LINK AND STEERING GEAR BOX



# DRAG LINK AND STEERING GEAR BOX

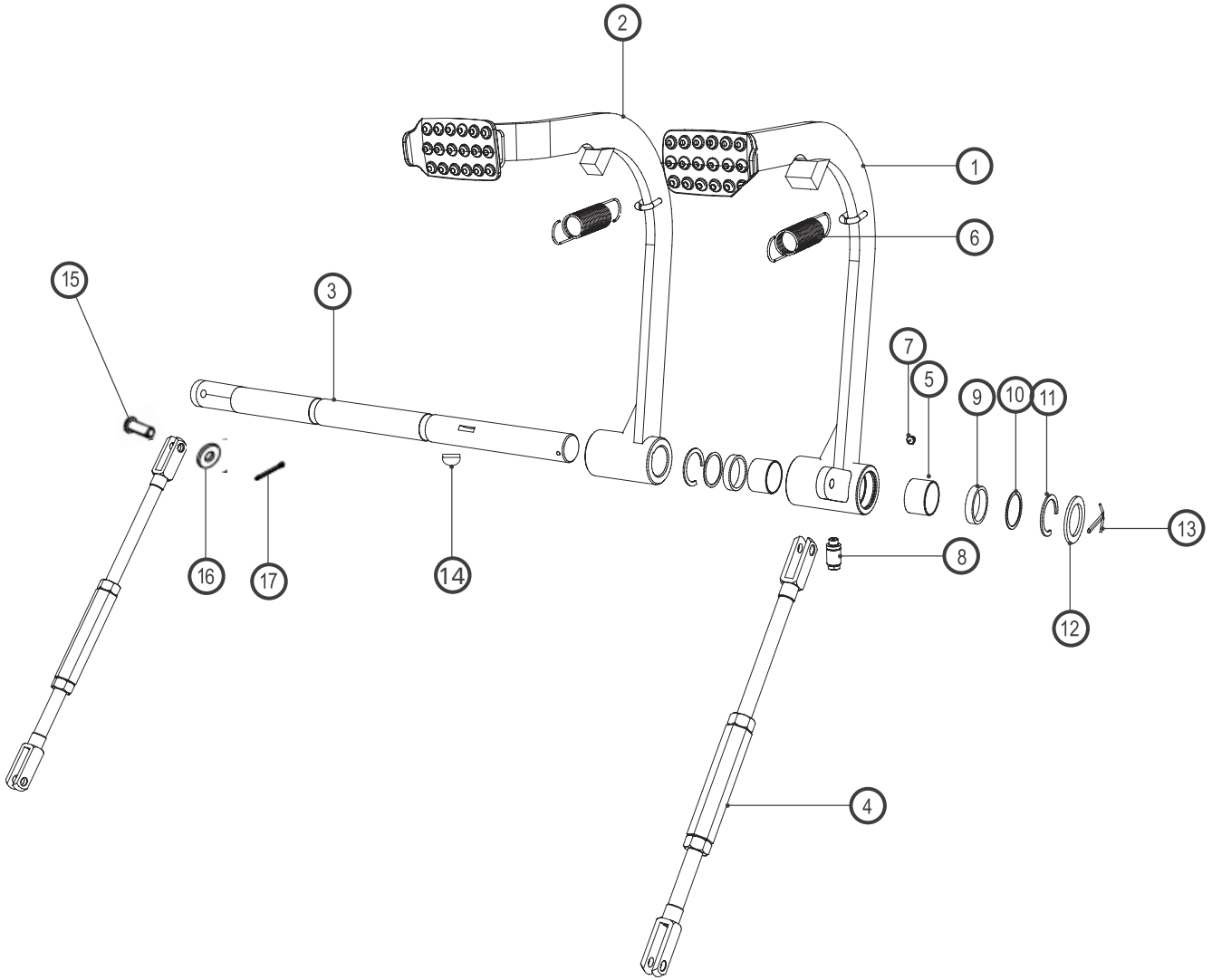
| M&M Part Number | Ref. | Description of Part         | Quantity |     | Remarks / Service Bulletin No. |
|-----------------|------|-----------------------------|----------|-----|--------------------------------|
|                 |      |                             | 3DI      | 4DI |                                |
| 007608282V91    | I    | STEERING GEAR ASSY          | 1        | 1   |                                |
| 007608283V91    | A    | BOX SUB ASSEMBLY            | 1        | 1   |                                |
| ‡               | 1    | BOX                         | 1        | 1   |                                |
| 007610020V1     | 2    | ROCKER SHAFT BUSH           | 1        | 1   |                                |
| 007608285V1     | B    | INNER COLUMN & M/NUT ASSY.  | 1        | 1   |                                |
| ‡               | 3    | INNER COLUMN                | 1        | 1   |                                |
| ‡               | 4    | MAIN NUT                    | 1        | 1   |                                |
| ‡               | 5    | TRANSFER TUBE               | 1        | 1   |                                |
| ‡               | 6    | TRANSFER TUBE RETAINER      | 2        | 2   |                                |
| ‡               | 7    | BOLT RETAINER               | 2        | 2   |                                |
| ‡               | 8    | STEEL BALLS                 | 27       | 27  |                                |
| 007537163B91    | C    | BEARING SUB ASSEMBLY        | 2        | 2   |                                |
| 007608287V1     | 9    | STEEL BALLS                 | 22       | 22  |                                |
| ‡               | 10   | NYLON CAGE                  | 2        | 2   |                                |
| ‡               | 11   | INNER BALL RACE TOP         | 1        | 1   |                                |
| ‡               | 11   | INNER BALL RACE BOTTOM      | 1        | 1   |                                |
| ‡               | 12   | OUTER BALL RACE             | 2        | 2   |                                |
| 001231130R1     | 13   | SHIMS - 10"                 | AR       | AR  |                                |
| 001231131R1     | 14   | SHIMS - 5"                  | AR       | AR  |                                |
| 001231132R1     | 15   | SHIMS - 3"                  | AR       | AR  |                                |
| ‡               | 16   | COVER PLATE SUB ASSEMBLY    | 1        | 1   |                                |
| 001233094R1     | 17   | CINTERED BUSH               | 1        | 1   |                                |
| 008002898B1     | 18   | M8 SPRING WASHER            | 10       | 10  |                                |
| 001231119R1     | 19   | BOLT M8                     | 10       | 10  |                                |
| 001231108R1     | 20   | SPHERICAL ROLLER            | 1        | 1   |                                |
| 007608288V1     | 21   | ROCKER SHAFT                | 1        | 1   |                                |
| ‡               | 22   | LOCATOR (ZERO B)            | 1        | 1   |                                |
| ‡               | 23   | SPRING                      | 1        | 1   |                                |
| ‡               | 24   | SPRING SEAT (ZERO B)        | 1        | 1   |                                |
| 001231127R1     | 25   | ADJUSTER SCREW              | 1        | 1   |                                |
| 001231114R1     | 26   | LOCK NUT                    | 1        | 1   |                                |
| 001231117R1     | 27   | DUST SEAL                   | x        | x   |                                |
| 007608290V1     | 28   | SPRING WASHER R/S           | 1        | 1   |                                |
| 001121327R1     | 29   | LOCK NUT R/S                | 1        | 1   |                                |
| 001121330R91    | 30   | OIL SEAL                    | 1        | 1   |                                |
| 001121314R1     | 31   | OIL PLUG                    | 1        | 1   |                                |
| 007608293V1     | 32   | DROP ARM                    | 1        | 1   |                                |
| 001231125R1     | 33   | DOWEL PIN                   | 2        | 2   |                                |
| 007608294V1     | D    | OUTER COLUMN ASSEMBLY       | 1        | 1   |                                |
| 001231112R1     | 34   | RUBBER BUSH WITH NYLON BUSH | 1        | 1   |                                |
| 007608295V1     | 35   | LOCK NUT                    | 1        | 1   |                                |
| 007537169B1     | 36   | DUST SEAL                   | 1        | 1   |                                |
| ‡               | 37   | HEX HEAD SCREW              | 1        | 1   |                                |
| ‡               | 38   | FIBRE WASHER                | 1        | 1   |                                |
| 000016469P04    | 39   | BOLT M12 X 35               | 4        | 4   |                                |
| 005550700R1     | 40   | WASHER M12                  | 4        | 4   |                                |
| 000141284       | 41   | DOWEL PIN                   | 2        | 2   |                                |

# CLUTCH PEDAL ASSY



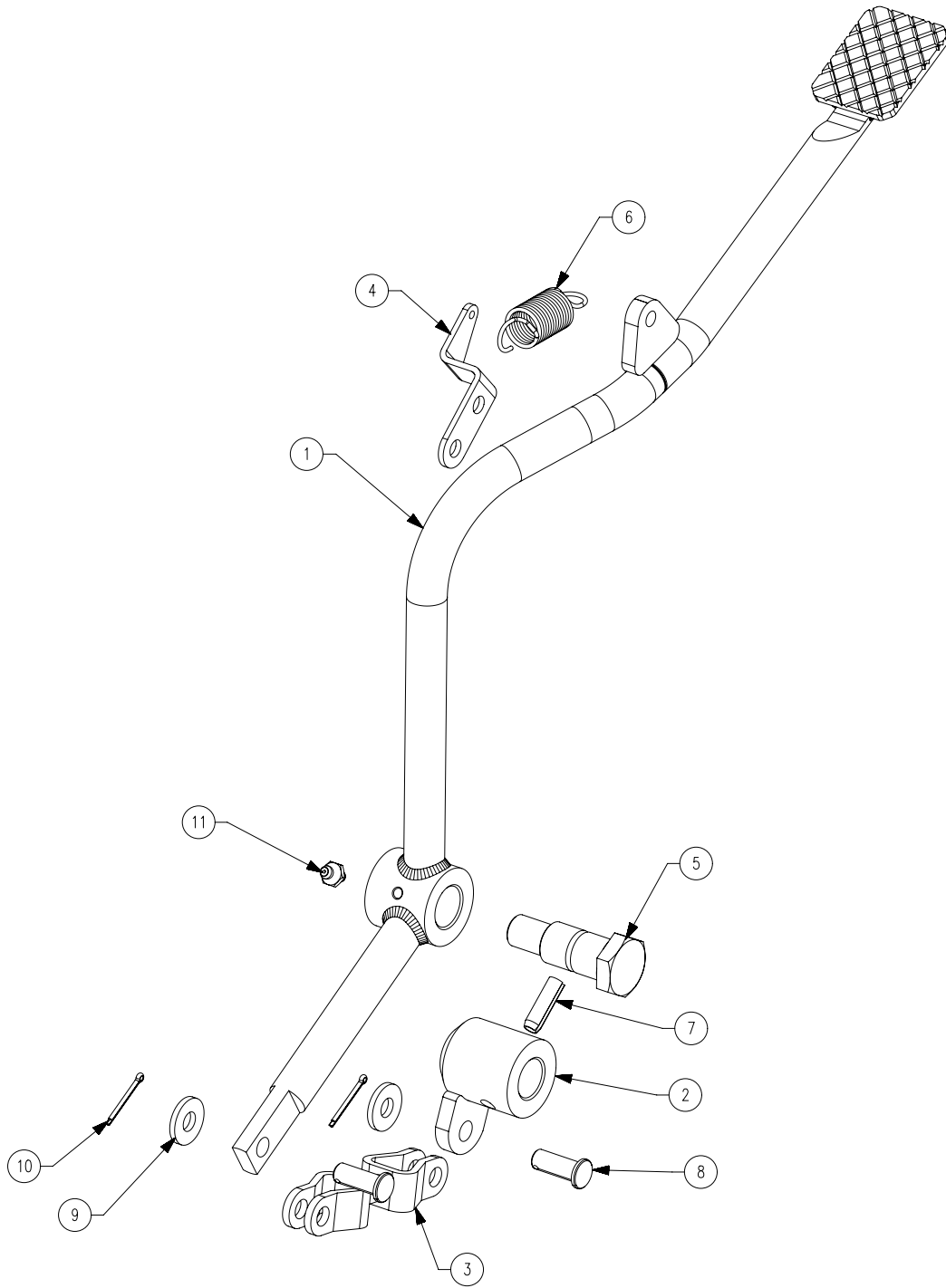


# BRAKE PEDAL ASSY





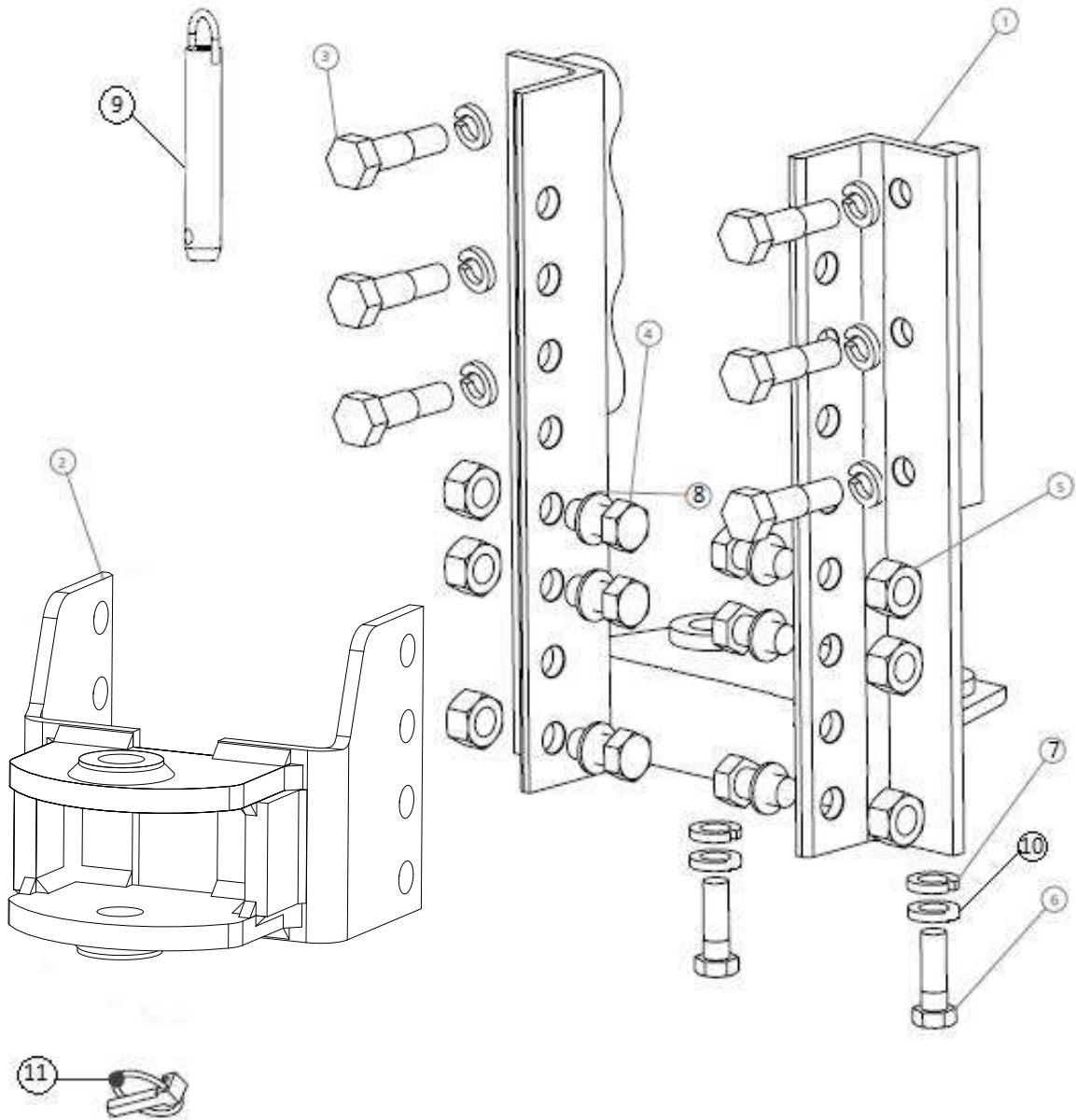
# DIFFERENTIAL LOCK PEDAL ASSEMBLY





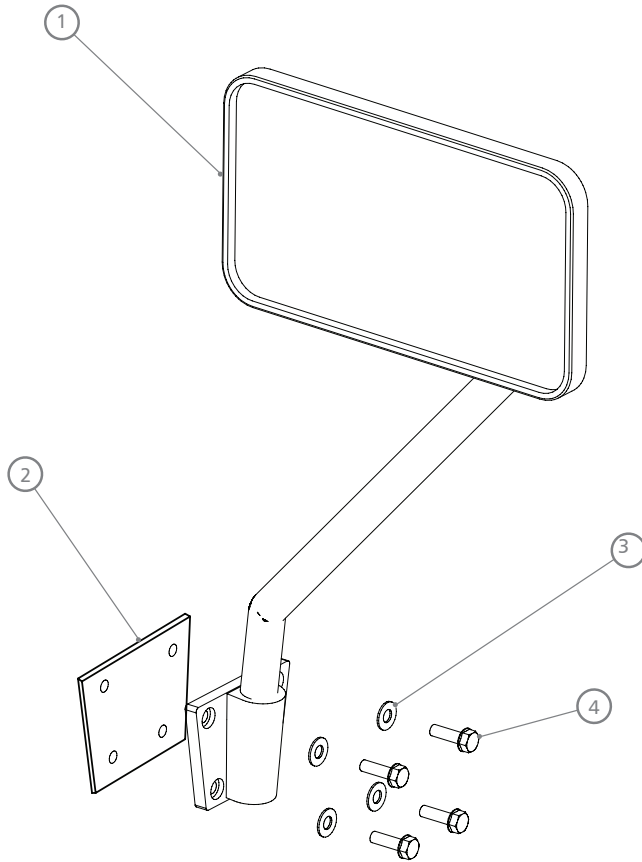


# REAR TOW HOOK



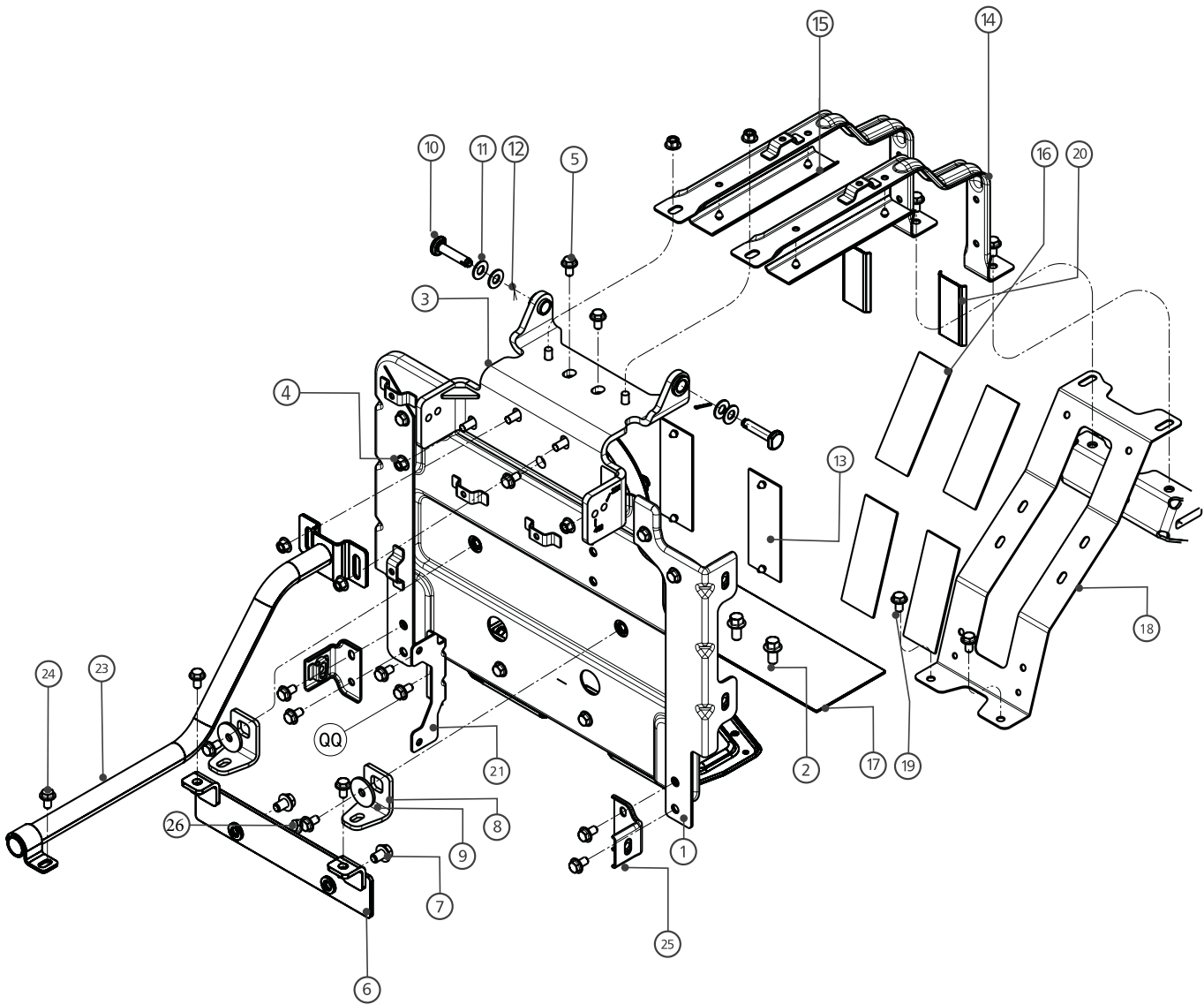


# MIRROR & POWER STEERING GUARD



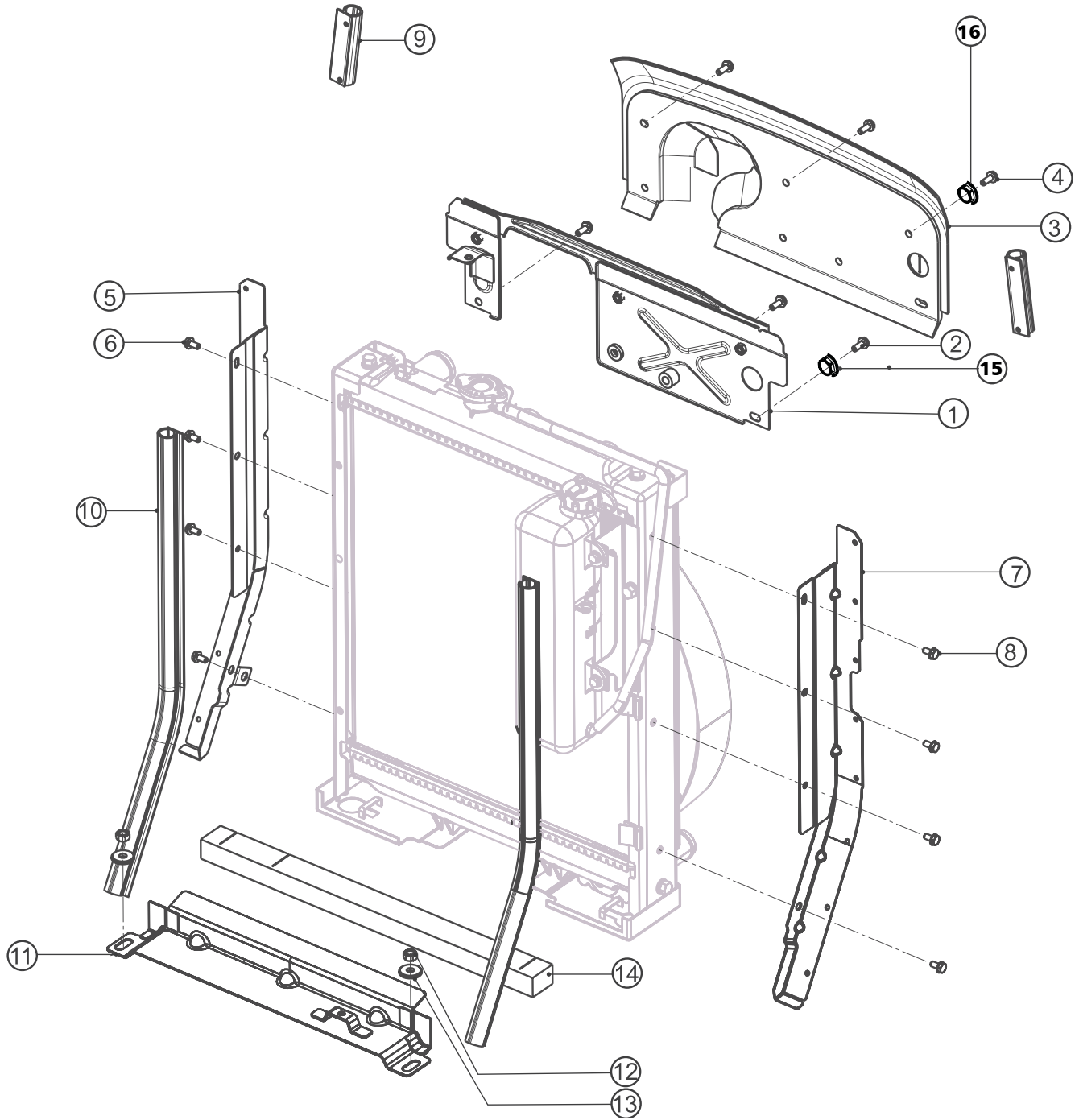


# HMS AND FUEL TANK ASSY





# SEALING-DHRUV





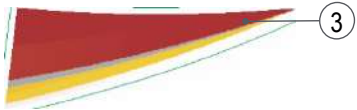




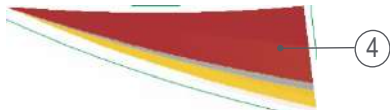
1



2



3



4



6

**Dual Clutch** 5

Mahindra YUVO 265DI 7 8

Mahindra YUVO 275DI 9 10

Mahindra YUVO 415DI 11 12

Mahindra YUVO 475DI 13 14

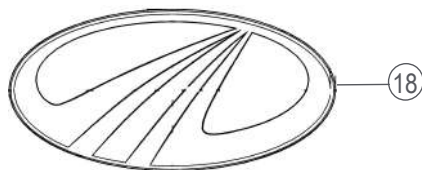
Mahindra YUVO 575DI 15 16

| Gear Selection              |          |          |          |
|-----------------------------|----------|----------|----------|
| Application                 | Option 1 | Option 2 | Option 3 |
| Ploughing                   | M2       | L4       |          |
| Cultivation                 | M3       | H1       |          |
| Duck Foot Cultivator        | M2       | L4       |          |
| Harrowing                   | M3       | H1       |          |
| Leveling                    | M3       | H1       |          |
| Full cage Wheel             | H2       | M3       | H1       |
| Half Cage Wheel & Puddler   | M3       | H1       |          |
| Half Cage Wheel & Rotavator | M1       | L3       |          |
| Rotavation                  | L3       | L2       | L1       |
| Potato Planter              | L2       | L3       |          |
| Potato Digger               | L3       | L2       |          |

Speed  
 ← High      Low →

\* Highlighted are recommended gears for Medium, Soft Soil  
 Other options can be used as per load conditions.

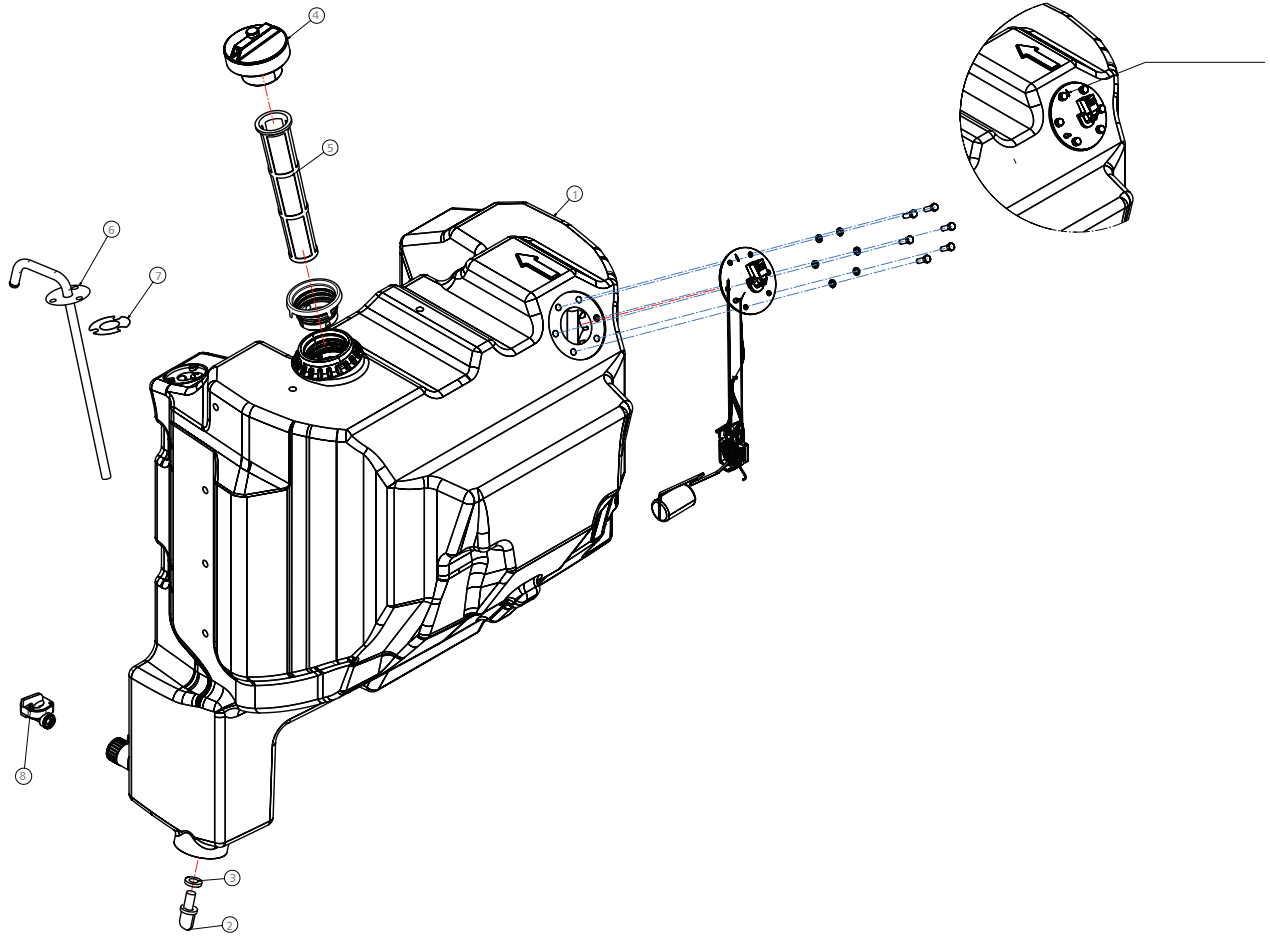
17



18

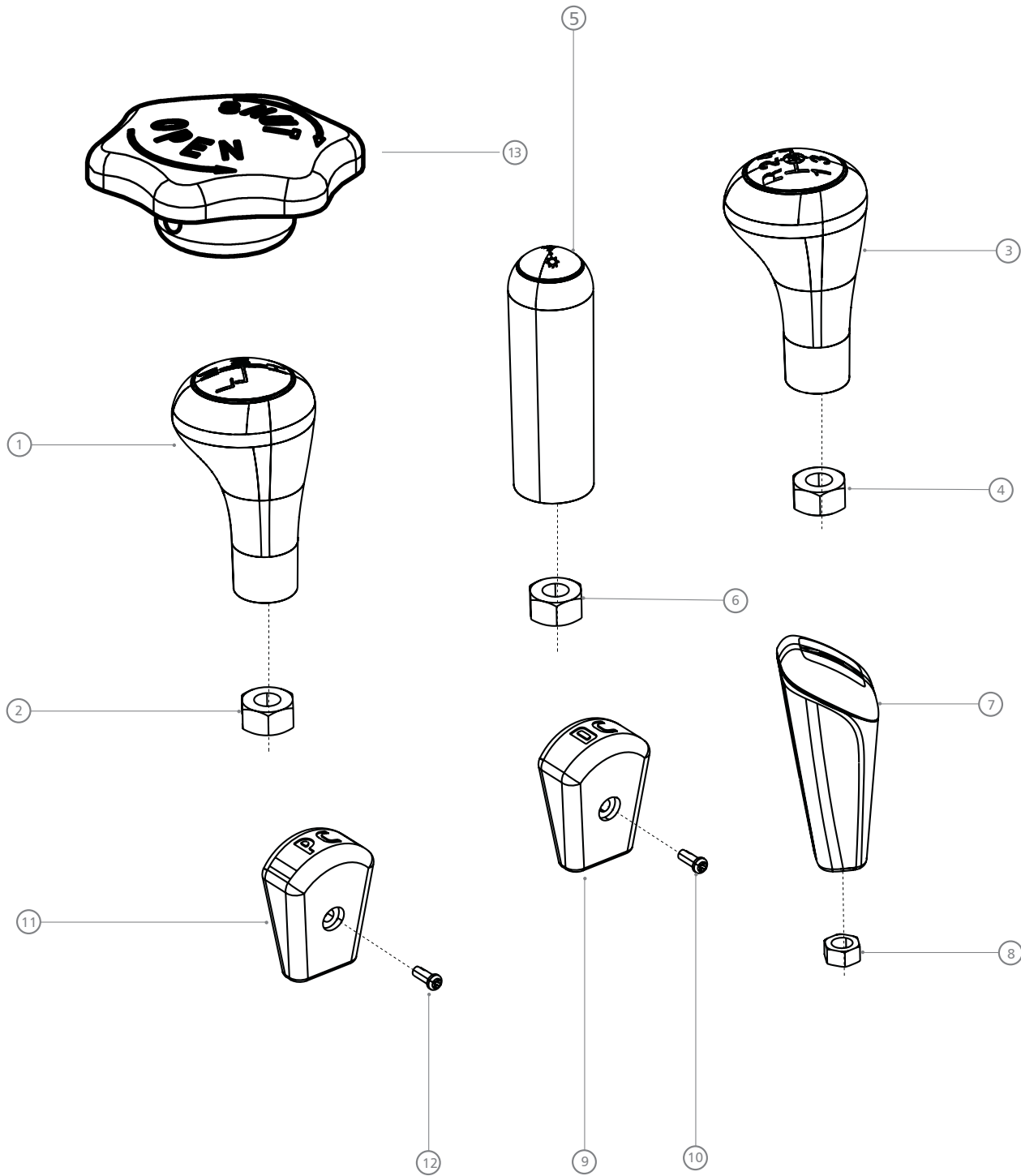


# FUEL TANK ASSY



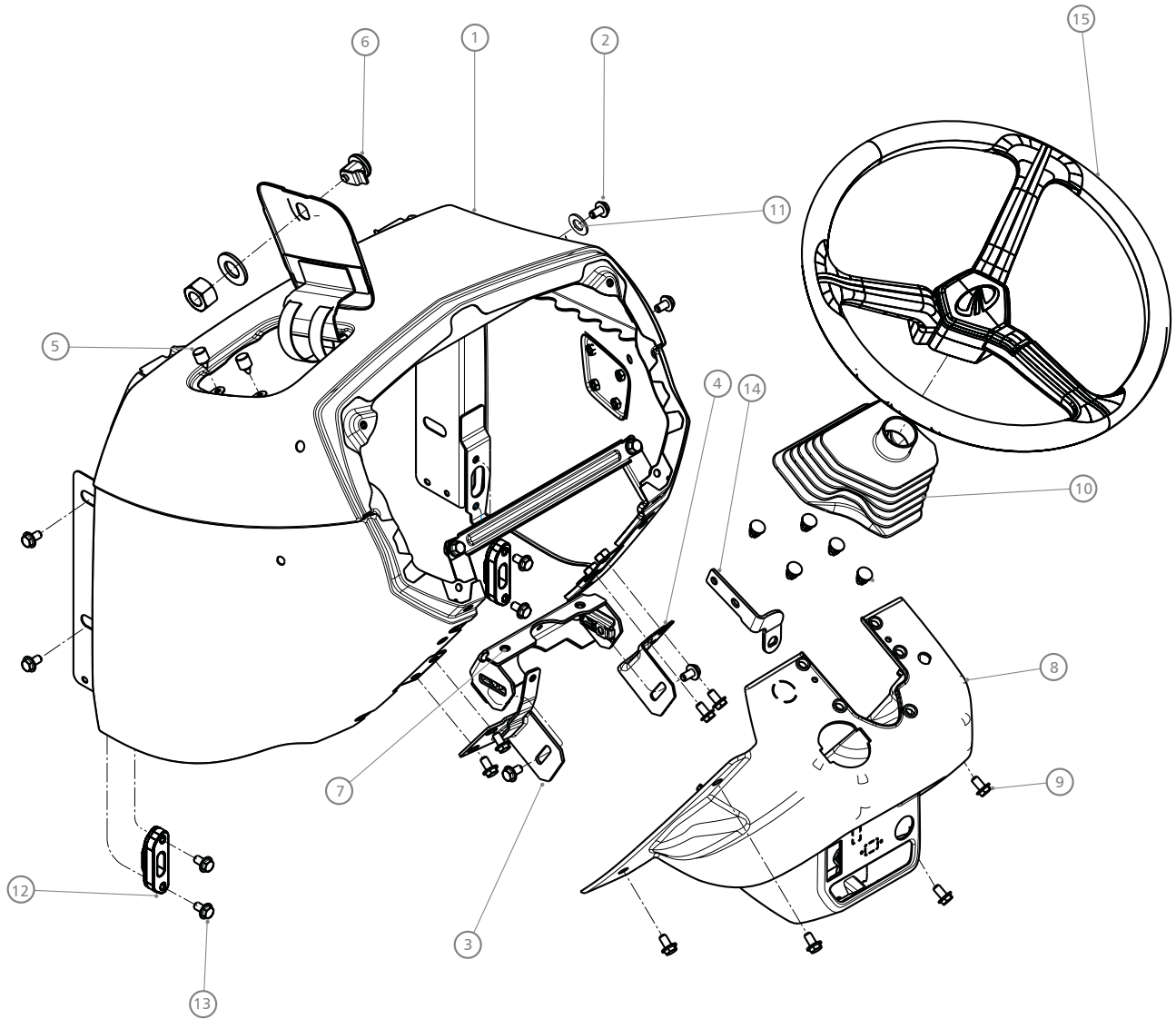


# KNOBS





# SCUTTLE ASSY

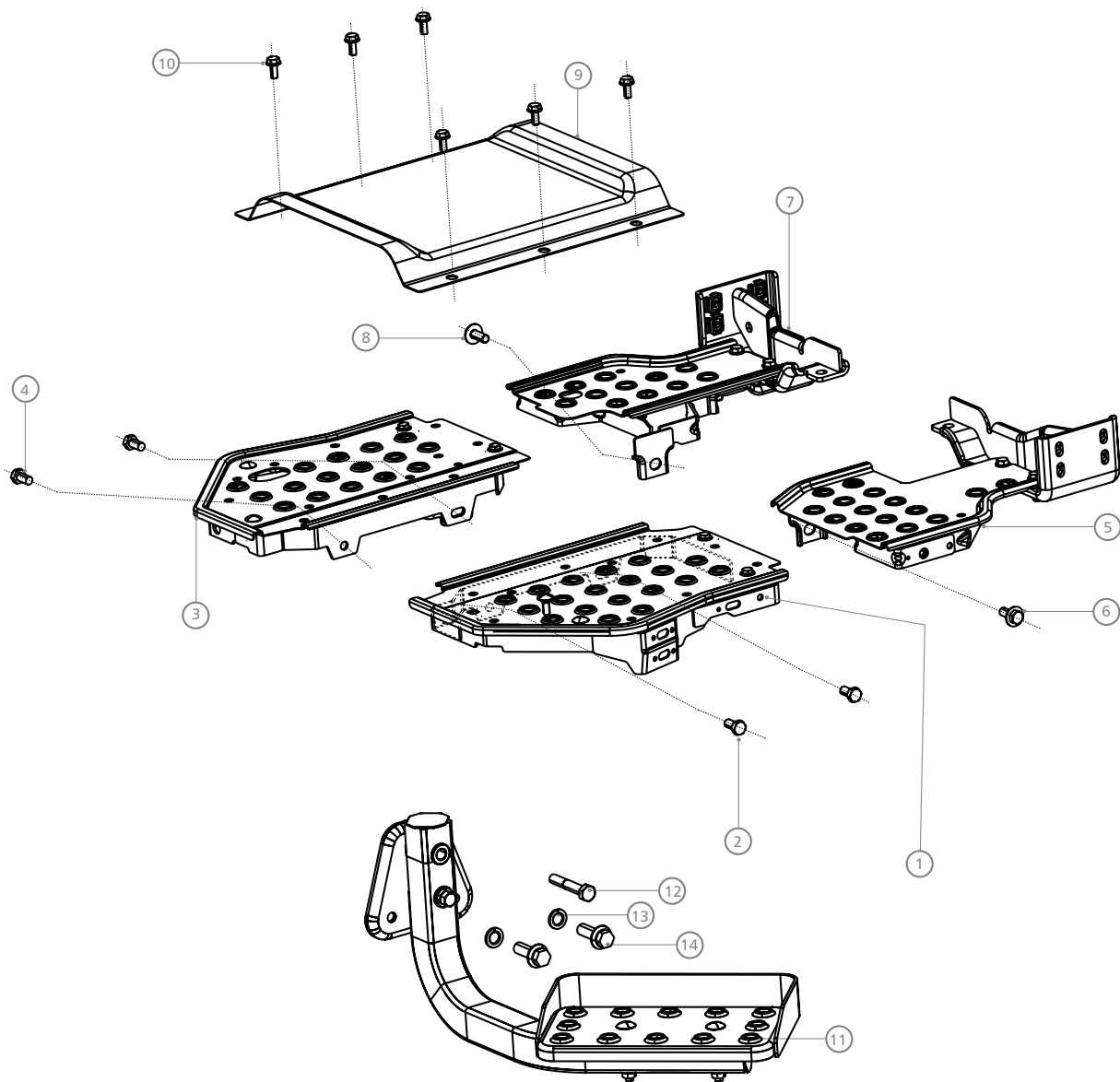




| M&M Part Number | Ref. | Description of Part              | Quantity |     | Remarks / Service Bulletin No. |
|-----------------|------|----------------------------------|----------|-----|--------------------------------|
|                 |      |                                  | 3DI      | 4DI |                                |
| 007505853V91    | 1    | SCUTTLE ASSEMBLY                 | 1        | 1   |                                |
| 000020308E05    | 2    | BOLT HEXFL M8X1.25X17.5X8.8      | 14       | 14  |                                |
| 007505944V91    | 3    | SCUTTLE FRONT MOUNTING BKT LH    | 1        | 1   |                                |
| 007505900V1     | 4    | SCUTTLE FRONT MOUNTING BKT RH    | 1        | 1   |                                |
| 000060495M01    | 5    | RUBBER PAD FUEL FILLER           | 2        | 2   |                                |
| 000060336M01    | 6    | LOCK DOOR FUEL FILLER            | 1        | 1   |                                |
| 007506001V91    | 7    | STG COLUMN SCUTTLE MTG BKT       | 1        | 1   |                                |
| 007543492V91    | 8    | STEERING COLUMN COVER FRONT ASSY | 1        | 1   |                                |
| 000020308E05    | 9    | BOLT HEX M8X1.25X16X8.8          | 4        | 4   |                                |
| 007544386V1     | 10   | BELLOW STEERING COLUMN           | 1        | 1   |                                |
| 000020739E05    | 11   | WASHER PLAIN G8.5X25X3           | 4        | 4   |                                |
| 007505818C1     | 12   | HOOD GUIDE NYLON SPACER          | 2        | 2   |                                |
| 000061046M01    | 13   | HEX BOLT FLANGE M6X 25           | 4        | 4   |                                |
| 007532309V1     | 14   | BRACKET PULL TO STOP             | 1        | 1   |                                |
| 007543886V91    | 15   | STEERING WHEEL                   | 1        | 1   |                                |
|                 |      |                                  |          |     |                                |
|                 |      |                                  |          |     |                                |
|                 |      |                                  |          |     |                                |
|                 |      |                                  |          |     |                                |
|                 |      |                                  |          |     |                                |
|                 |      |                                  |          |     |                                |
|                 |      |                                  |          |     |                                |
|                 |      |                                  |          |     |                                |
|                 |      |                                  |          |     |                                |
|                 |      |                                  |          |     |                                |
|                 |      |                                  |          |     |                                |
|                 |      |                                  |          |     |                                |
|                 |      |                                  |          |     |                                |
|                 |      |                                  |          |     |                                |
|                 |      |                                  |          |     |                                |
|                 |      |                                  |          |     |                                |
|                 |      |                                  |          |     |                                |
|                 |      |                                  |          |     |                                |
|                 |      |                                  |          |     |                                |
|                 |      |                                  |          |     |                                |
|                 |      |                                  |          |     |                                |
|                 |      |                                  |          |     |                                |
|                 |      |                                  |          |     |                                |
|                 |      |                                  |          |     |                                |
|                 |      |                                  |          |     |                                |
|                 |      |                                  |          |     |                                |
|                 |      |                                  |          |     |                                |
|                 |      |                                  |          |     |                                |
|                 |      |                                  |          |     |                                |
|                 |      |                                  |          |     |                                |
|                 |      |                                  |          |     |                                |
|                 |      |                                  |          |     |                                |
|                 |      |                                  |          |     |                                |
|                 |      |                                  |          |     |                                |
|                 |      |                                  |          |     |                                |
|                 |      |                                  |          |     |                                |
|                 |      |                                  |          |     |                                |
|                 |      |                                  |          |     |                                |
|                 |      |                                  |          |     |                                |
|                 |      |                                  |          |     |                                |
|                 |      |                                  |          |     |                                |

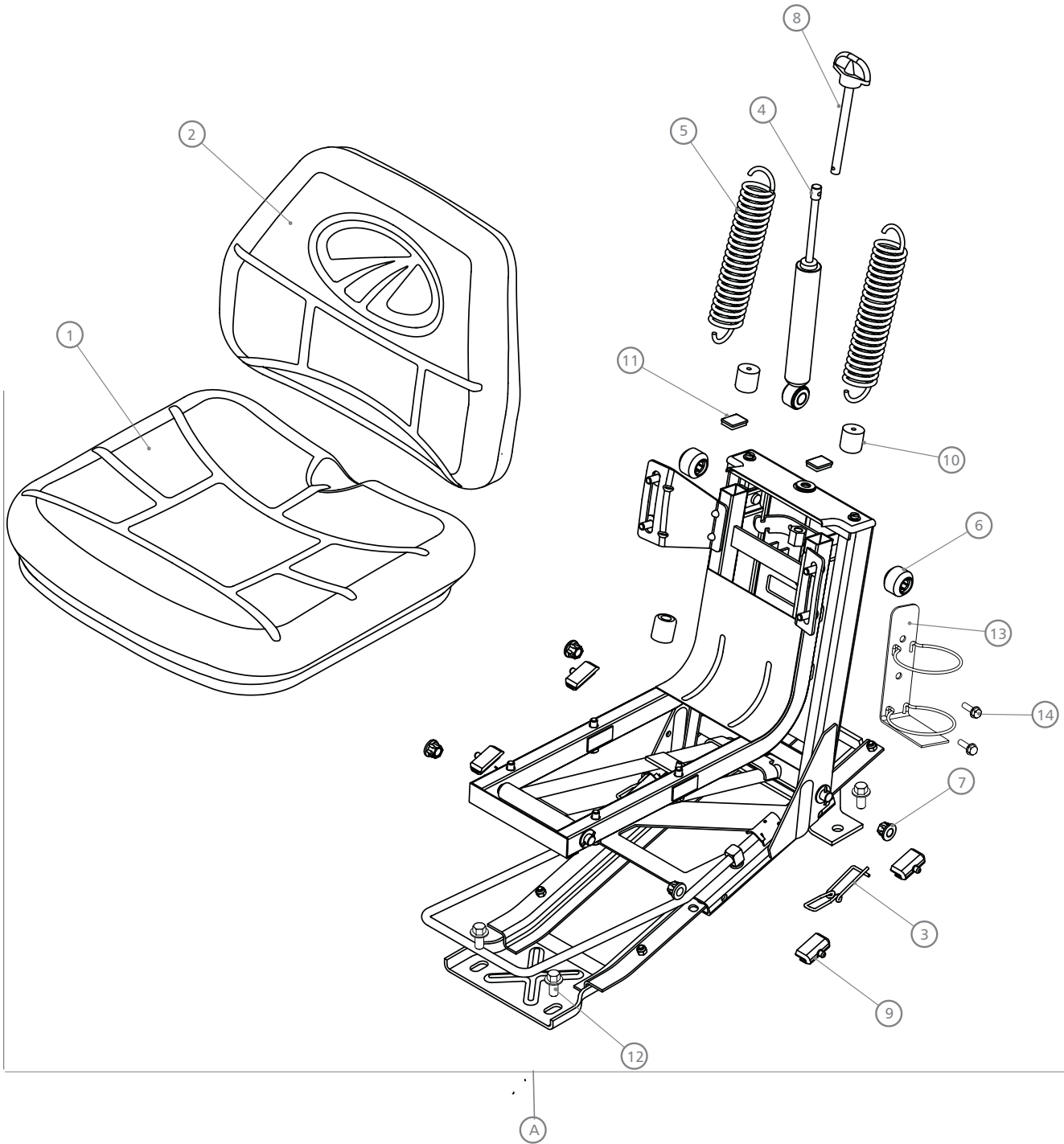
\* Parts Not Illustrated / ‡ Not Serviceable Separately / ◆ Alternate Part Number / A/R As Required

# FLOOR PANEL ASSY



| M&M Part Number | Ref. | Description of Part                      | Quantity |     | Remarks / Service Bulletin No. |
|-----------------|------|--|----------|-----|--------------------------------|
|                 |      |  | 3DI      | 4DI |                                |
| 007543458V91    | 1    | FLOOR PANEL ASSY LH                      | 1        | 1   |                                |
| 000020565E05    | 2    | M10 X 20 FLANGE                          | 2        | 2   |                                |
| 007543471V91    | 3    | FLOOR PANEL ASSY RH                      | 1        | 1   |                                |
| 000020565E05    | 4    | M10 X 20 FLANGE                          | 2        | 2   |                                |
| 007542642V91    | 5    | REAR FLOOR PANEL ASSY LH                 | 1        | 1   |                                |
| 000020313E05    | 6    | M10 X 25 FLANGE HEX BOLT                 | 1        | 1   |                                |
| 007542641V91    | 7    | REAR FLOOR PANEL ASSY RH                 | 1        | 1   |                                |
| 000020313E05    | 8    | M10 X 25 FLANGE HEX BOLT                 | 1        | 1   |                                |
| 007506002V1     | 9    | MIDDLE FLOOR PANEL                       | 1        | 1   |                                |
| 000020307E05    | 10   | M8X 20 FLANGE HEX BOLT                   | 6        | 6   |                                |
| 007542516V91    | 11   | FOOT STEP ASSY                           | 1        | 1   |                                |
| 000020302E05    | 12   | BOLTHEXFLM10X1.5X65.7X8.8                | 1        | 1   |                                |
| 000022079RD     | 13   | WASHER SPRING M10                        | 2        | 2   |                                |
| 000016469P04    | 14   | FLANGE HEADED HEX BOLT M10X1.5X28 GRADE8 | 2        | 2   |                                |
|                 |      |  |          |     |                                |
|                 |      |  |          |     |                                |
|                 |      |  |          |     |                                |
|                 |      |  |          |     |                                |
|                 |      |  |          |     |                                |
|                 |      |  |          |     |                                |
|                 |      |  |          |     |                                |
|                 |      |  |          |     |                                |
|                 |      |  |          |     |                                |
|                 |      |  |          |     |                                |
|                 |      |  |          |     |                                |
|                 |      |  |          |     |                                |
|                 |      |  |          |     |                                |
|                 |      |  |          |     |                                |
|                 |      |  |          |     |                                |
|                 |      |  |          |     |                                |
|                 |      |  |          |     |                                |
|                 |      |  |          |     |                                |
|                 |      |  |          |     |                                |
|                 |      |  |          |     |                                |
|                 |      |  |          |     |                                |
|                 |      |  |          |     |                                |
|                 |      |  |          |     |                                |
|                 |      |  |          |     |                                |
|                 |      |  |          |     |                                |
|                 |      |  |          |     |                                |
|                 |      |  |          |     |                                |
|                 |      |  |          |     |                                |
|                 |      |  |          |     |                                |
|                 |      |  |          |     |                                |
|                 |      |  |          |     |                                |
|                 |      |  |          |     |                                |
|                 |      |  |          |     |                                |
|                 |      |  |          |     |                                |
|                 |      |  |          |     |                                |
|                 |      |  |          |     |                                |
|                 |      |  |          |     |                                |
|                 |      |  |          |     |                                |
|                 |      |  |          |     |                                |

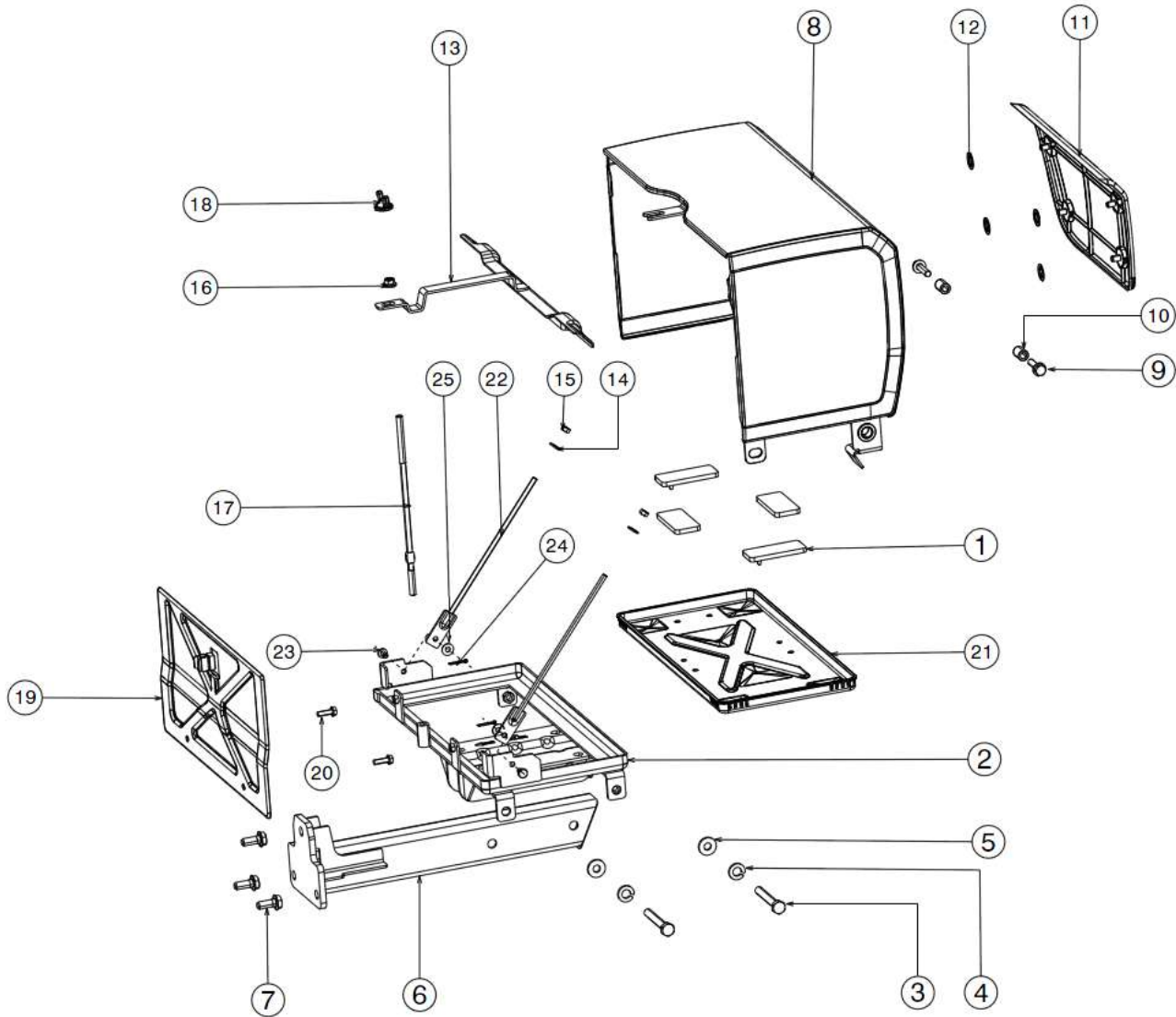
# SEAT ASSY



| M&M Part Number | Ref. | Description of Part                 | Quantity |     | Remarks / Service Bulletin No. |
|-----------------|------|-------------------------------------|----------|-----|--------------------------------|
|                 |      |                                     | 3DI      | 4DI |                                |
| 007543897V91    | A    | SEAT ASSEMBLY                       | 1        | 1   |                                |
| 007544778C91    | 1    | SEAT CUSION ASSY.                   | 1        | 1   |                                |
| 007544796V91    | 2    | BACK CUSHION ASSY.                  | 1        | 1   |                                |
| 007544769C1     | 3    | LEVER SPRING                        | 2        | 2   |                                |
| 007607868B91    | 4    | SHOCK ABSORBER                      | 1        | 1   |                                |
| 007600352R1     | 5    | SUSPENSION SPRING                   | 2        | 2   |                                |
| 007600354R1     | 7    | NYLON BUSH (LINK ASSY)              | 6        | 6   |                                |
| 007544773C1     | 8    | WEIGHT ADJUSTMENT KNOB              | 1        | 1   |                                |
| 007600356R1     | 10   | RUBBER STOPPER                      | 3        | 3   |                                |
| 000020313E05    | 12   | SEAT MTG HEX FLANGE BOLT M10X1.5X20 | 4        | 4   |                                |
| 007537215B13    | 13   | BOTTLEHOLDER                        | 1        | 1   |                                |
| 000020309E05    | 14   | FLANGEHEXAGONALHEADBOLTM8X1.25X25   | 2        | 2   |                                |
| 008007728V91    | *    | BUSH KIT ASSY DHRUV                 | 1        | 1   |                                |
| ‡               | 6    | ↳ NYLON BUSH (SUSPENSION)           | 2        | 2   |                                |
| ‡               | 9    | ↳ SLIDER GUIDE BUSH                 | 4        | 4   |                                |
| ‡               | 11   | ↳ RECT. NYLON PLUG                  | 2        | 2   |                                |
|                 |      |                                     |          |     |                                |
|                 |      |                                     |          |     |                                |
|                 |      |                                     |          |     |                                |
|                 |      |                                     |          |     |                                |
|                 |      |                                     |          |     |                                |
|                 |      |                                     |          |     |                                |
|                 |      |                                     |          |     |                                |
|                 |      |                                     |          |     |                                |
|                 |      |                                     |          |     |                                |
|                 |      |                                     |          |     |                                |
|                 |      |                                     |          |     |                                |
|                 |      |                                     |          |     |                                |
|                 |      |                                     |          |     |                                |
|                 |      |                                     |          |     |                                |
|                 |      |                                     |          |     |                                |
|                 |      |                                     |          |     |                                |
|                 |      |                                     |          |     |                                |
|                 |      |                                     |          |     |                                |
|                 |      |                                     |          |     |                                |
|                 |      |                                     |          |     |                                |
|                 |      |                                     |          |     |                                |
|                 |      |                                     |          |     |                                |
|                 |      |                                     |          |     |                                |
|                 |      |                                     |          |     |                                |
|                 |      |                                     |          |     |                                |
|                 |      |                                     |          |     |                                |
|                 |      |                                     |          |     |                                |
|                 |      |                                     |          |     |                                |
|                 |      |                                     |          |     |                                |
|                 |      |                                     |          |     |                                |
|                 |      |                                     |          |     |                                |
|                 |      |                                     |          |     |                                |
|                 |      |                                     |          |     |                                |
|                 |      |                                     |          |     |                                |
|                 |      |                                     |          |     |                                |
|                 |      |                                     |          |     |                                |
|                 |      |                                     |          |     |                                |
|                 |      |                                     |          |     |                                |
|                 |      |                                     |          |     |                                |
|                 |      |                                     |          |     |                                |
|                 |      |                                     |          |     |                                |
|                 |      |                                     |          |     |                                |
|                 |      |                                     |          |     |                                |
|                 |      |                                     |          |     |                                |
|                 |      |                                     |          |     |                                |
|                 |      |                                     |          |     |                                |
|                 |      |                                     |          |     |                                |
|                 |      |                                     |          |     |                                |
|                 |      |                                     |          |     |                                |
|                 |      |                                     |          |     |                                |
|                 |      |                                     |          |     |                                |
|                 |      |                                     |          |     |                                |

\* Parts Not Illustrated / ‡ Not Serviceable Separately / ◆ Alternate Part Number / A/R As Required

# BATTERY TRAY SUPPORT ASSY

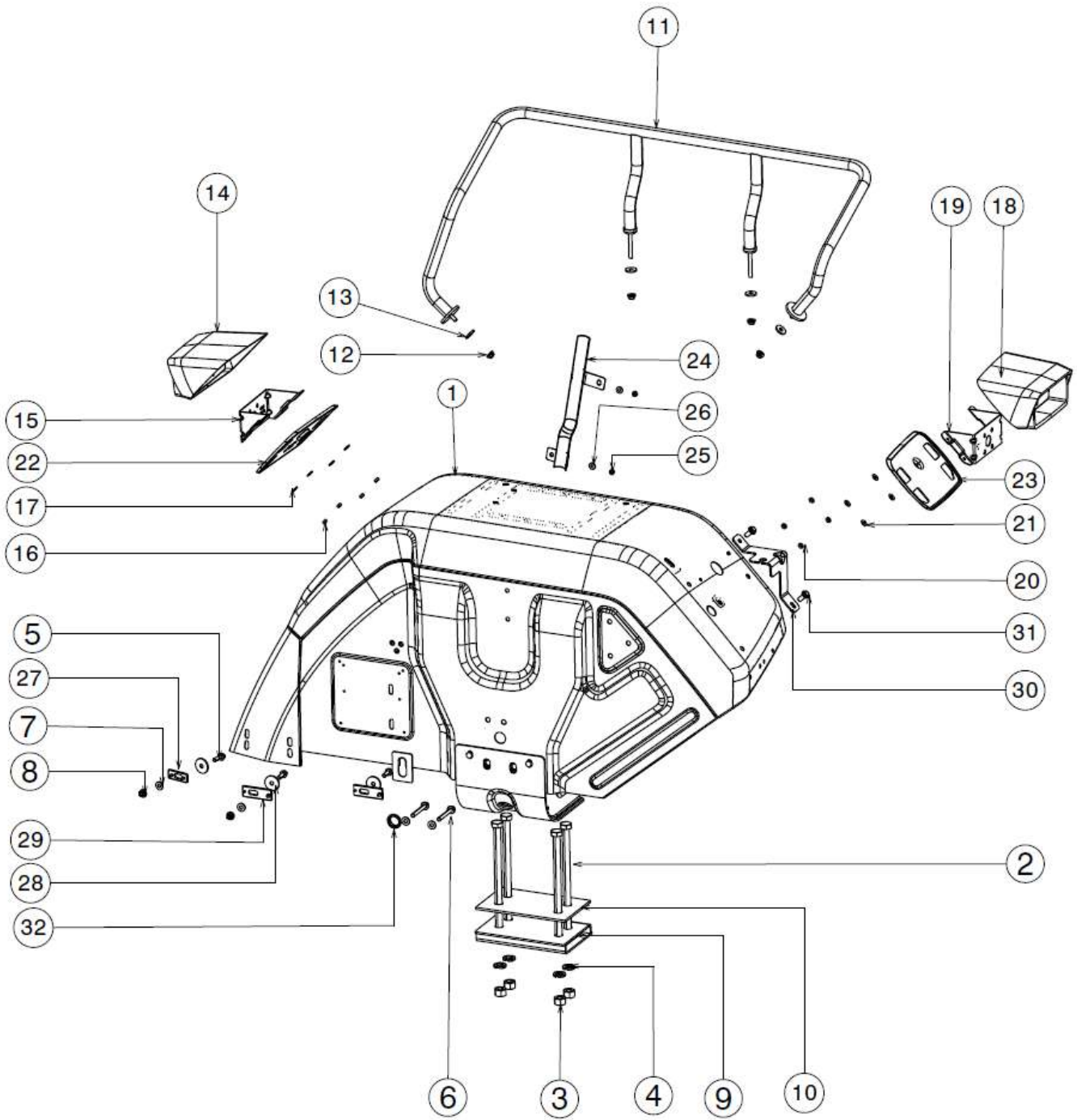


# BATTERY TRAY SUPPORT ASSY

| M&M Part Number | Ref. | Description of Part              | Quantity |     | Remarks / Service Bulletin No. |
|-----------------|------|----------------------------------|----------|-----|--------------------------------|
|                 |      |                                  | 3DI      | 4DI |                                |
| 007542555V1     | 1    | BATTERY PAD RUBBER               | 4        | 4   |                                |
| 007542793V91    | 2    | BATTERY TRAY ASSEMBLY            | 1        | 1   |                                |
| 005553022R1     | 3    | HEX. FLANGED BOLT (M10 X75)      | 2        | 2   |                                |
| 005555988R1     | 4    | WASHER M10 SPRING LOCK           | 2        | 2   |                                |
| 000030184R1     | 5    | WASHER PLAIN 10MM X 24MM X3MM    | 2        | 2   |                                |
| 007542794V91    | 6    | BATTERY TRAY SUPPORT ASSY        | 1        | 1   |                                |
| 000020313E05    | 7    | FLANGED BOLT M10X25              | 3        | 3   |                                |
| 007543523V91    | 8    | BATTERY COVER ASSEMBLY           | 1        | 1   |                                |
| 000020253E05    | 9    | BOLT HEXFL M8 X1.25X35.5X8.8     | 2        | 2   |                                |
| 007541940C1     | 10   | PIVOT SLEEV BATTERY              | 2        | 2   |                                |
| 007543493V91    | 11   | BATTERY COVER ADDON              | 1        | 1   |                                |
| 007538856C1     | 12   | SPRING LOCK WASHER               | 1        | 1   |                                |
| 007543554V91    | 13   | BATTERY CLAMP ASSY               | 2        | 2   |                                |
| 007515212D1     | 14   | WASHER PLAIN M6X15X1.5           | 2        | 2   |                                |
| 001233807R1     | 15   | NUT M 6 X 1 HEX ZNC PLTD         | 1        | 1   |                                |
| 000020777E05    | 16   | NUT HEX FL M8X1.25X8.7X8         | 2        | 2   |                                |
| 007541940C1     | 17   | BATTERY HOLDING STUD             | 1        | 1   |                                |
| 007542778C2     | 18   | WING NUT                         | 1        | 1   |                                |
| 007541431C2     | 19   | MUD GUARD PLATE ASM              | 1        | 1   |                                |
| 007541923C91    | 20   | M6X16.5 FLANGE HEX BOLT          | 2        | 2   |                                |
| 007541431C2     | 21   | BATTERY TRAY PLASTIC             | 1        | 1   |                                |
| 007544660V91    | 22   | BATTERY CLAMP STUD ASSY          | 2        | 2   |                                |
| 007544549V1     | 23   | HINGE PIN                        | 2        | 2   |                                |
| 000103373       | 24   | PIN COTTER G2.38125X19.05        | 2        | 2   |                                |
| 005555955R1     | 25   | PLAIN WASHER G6.502x16.002x1.016 | 2        | 2   |                                |
|                 |      |                                  |          |     |                                |
|                 |      |                                  |          |     |                                |
|                 |      |                                  |          |     |                                |
|                 |      |                                  |          |     |                                |
|                 |      |                                  |          |     |                                |
|                 |      |                                  |          |     |                                |
|                 |      |                                  |          |     |                                |
|                 |      |                                  |          |     |                                |
|                 |      |                                  |          |     |                                |
|                 |      |                                  |          |     |                                |
|                 |      |                                  |          |     |                                |
|                 |      |                                  |          |     |                                |
|                 |      |                                  |          |     |                                |
|                 |      |                                  |          |     |                                |
|                 |      |                                  |          |     |                                |
|                 |      |                                  |          |     |                                |
|                 |      |                                  |          |     |                                |
|                 |      |                                  |          |     |                                |
|                 |      |                                  |          |     |                                |
|                 |      |                                  |          |     |                                |
|                 |      |                                  |          |     |                                |
|                 |      |                                  |          |     |                                |
|                 |      |                                  |          |     |                                |

\* Parts Not Illustrated / ‡ Not Serviceable Separately / ♦ Alternate Part Number / A/R As Required

# FENDER RH ASSY

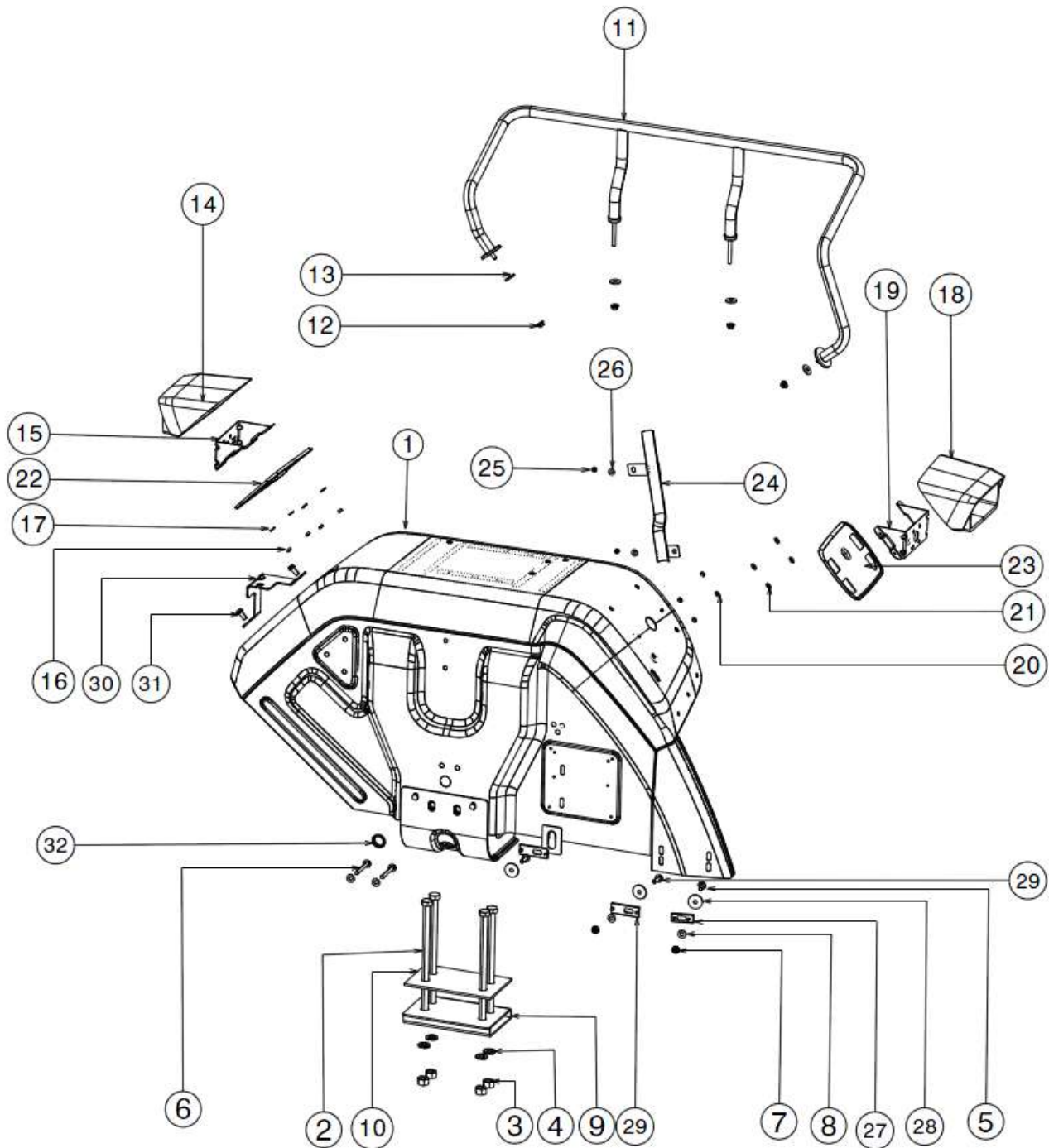




| M&M Part Number | Ref. | Description of Part             | Quantity |     | Remarks / Service Bulletin No. |
|-----------------|------|---------------------------------|----------|-----|--------------------------------|
|                 |      |                                 | 3DI      | 4DI |                                |
| 007532088V91    | 1    | FENDER ASSY RH                  | 1        | 1   |                                |
| 007542631V1     | 2    | FENDER MTG BOLT M16X275         | 4        | 4   |                                |
| 000012653P04    | 3    | NUT HEX M16X2 GR 10             | 4        | 4   |                                |
| 005556521R1     | 4    | WASHER SPRING L M16X27.4X3.5    | 4        | 4   |                                |
| 000020309E05    | 5    | FLANGE HEX HEAD BOLT M8X1.25X25 | 3        | 3   |                                |
| 000020258E05    | 6    | BOLT HEXFL M8X1.25X65.7X8.8     | 2        | 2   |                                |
| 007535860D1     | 7    | PLAIN WASHER M8                 | 3        | 3   |                                |
| 000020777E05    | 8    | FLANGE NUT M8                   | 2        | 2   |                                |
| 007542501V91    | 9    | SPACER ASSEMBLY                 | 1        | 1   |                                |
| 007542533V1     | 10   | FENDER MOUNTING PAD (BALLATA)   | 1        | 1   |                                |
| 007543984V91    | 11   | FENDER SEAT ASSEMBLY RH         | 1        | 1   |                                |
| 000020777E05    | 12   | FLANGE NUT M8                   | 4        | 4   |                                |
| 000020739E05    | 13   | WASHER PLAIN G8.5X25X3          | 4        | 4   |                                |
| 007543478V1     | 14   | PNT LAMP COVER LH               | 1        | 1   |                                |
| 007543462V91    | 15   | PNT LAMP MGT BKT ASSY LH        | 1        | 1   |                                |
| 001233807R1     | 16   | HEX NUT M6                      | 4        | 4   |                                |
| 007515212D1     | 17   | WASHER PLAIN M6X15X1.5          | 4        | 4   |                                |
| 007543479V1     | 18   | PNT LAMP COVER RH               | 1        | 1   |                                |
| 007543474V91    | 19   | PNT LAMP MGT BKT ASSY RH        | 1        | 1   |                                |
| 001233807R1     | 20   | HEX NUT M6                      | 4        | 4   |                                |
| 007515212D1     | 21   | WASHER PLAIN M6X15X1.5          | 4        | 4   |                                |
| 007543482V1     | 22   | PNT LAMP MTG RUBBER PAD LH      | 1        | 1   |                                |
| 007543483V1     | 23   | PNT LAMP MTG RUBBER PAD RH      | 1        | 1   |                                |
| 007543736V91    | 24   | CABLE ROUTING COVER ASSY RH     | 1        | 1   |                                |
| 001233807R1     | 25   | M6 FLANGE HEX NUT               | 2        | 2   |                                |
| 007515212D1     | 26   | PLAIN WASHER 6.5X15X1.5         | 2        | 2   |                                |
| 007544120V1     | 27   | FLOOR MOUNTING RUBBER PAD FRONT | 1        | 1   |                                |
| E007538435D1    | 28   | MUD SPLASH WASHER               | 3        | 3   |                                |
| 007543365V1     | 29   | FRONT FLOOR RUBBER PAD          | 2        | 2   |                                |
| 007542638V1     | 30   | PLOUGH LAMP MTG BKT LH          | 1        | 1   |                                |
| 000020307E05    | 31   | HEX FLANGE BOLT M8 X 20         | 2        | 2   |                                |
| 007542100C1     | 32   | GROMMET. FOR FENDER CABLE ROUTE | 1        | 1   |                                |
|                 |      |                                 |          |     |                                |
|                 |      |                                 |          |     |                                |
|                 |      |                                 |          |     |                                |
|                 |      |                                 |          |     |                                |
|                 |      |                                 |          |     |                                |
|                 |      |                                 |          |     |                                |
|                 |      |                                 |          |     |                                |
|                 |      |                                 |          |     |                                |
|                 |      |                                 |          |     |                                |
|                 |      |                                 |          |     |                                |
|                 |      |                                 |          |     |                                |
|                 |      |                                 |          |     |                                |
|                 |      |                                 |          |     |                                |
|                 |      |                                 |          |     |                                |
|                 |      |                                 |          |     |                                |
|                 |      |                                 |          |     |                                |
|                 |      |                                 |          |     |                                |
|                 |      |                                 |          |     |                                |
|                 |      |                                 |          |     |                                |
|                 |      |                                 |          |     |                                |
|                 |      |                                 |          |     |                                |

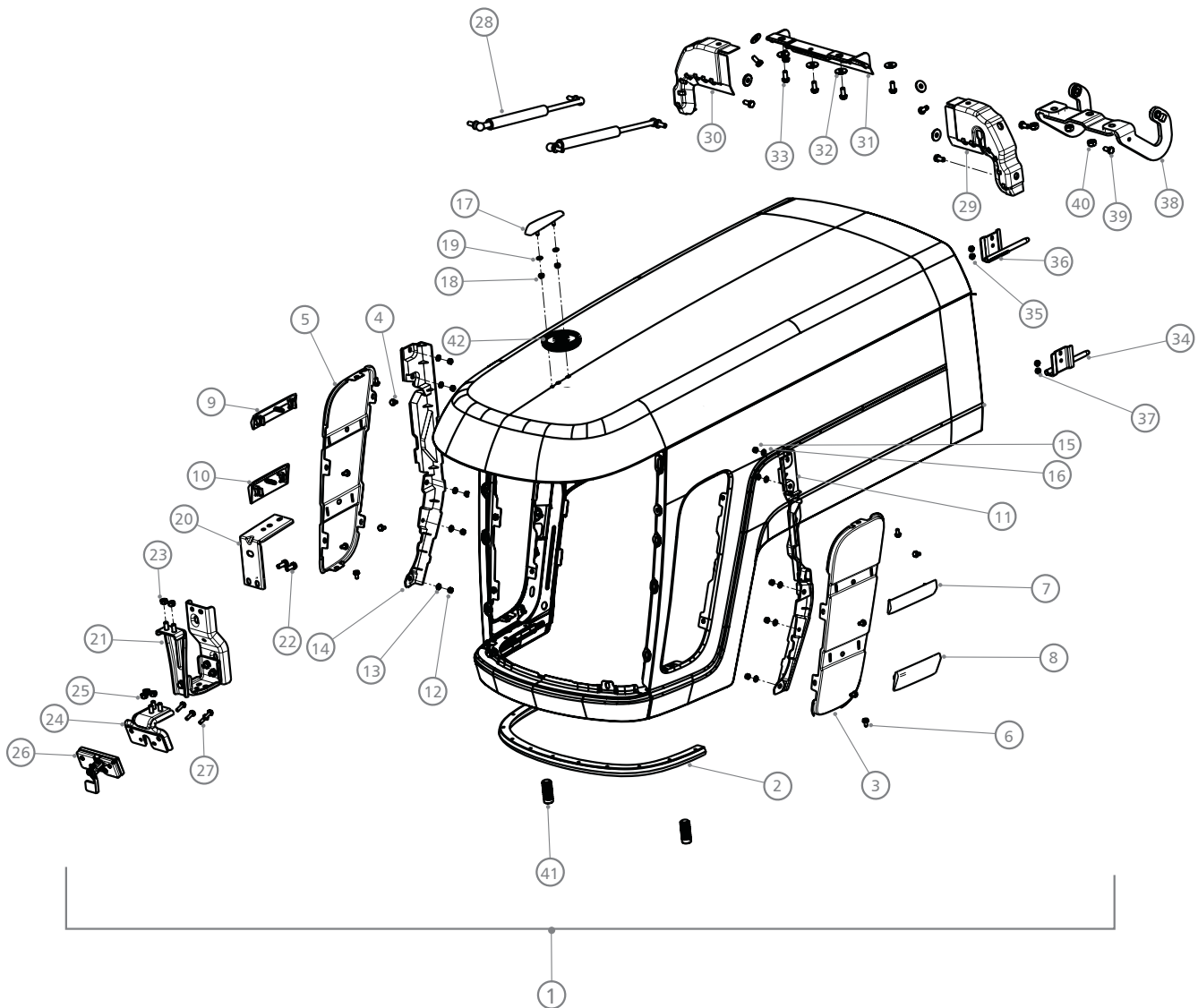
\* Parts Not Illustrated / ‡ Not Serviceable Separately / ♦ Alternate Part Number / A/R As Required

# FENDER LH ASSY





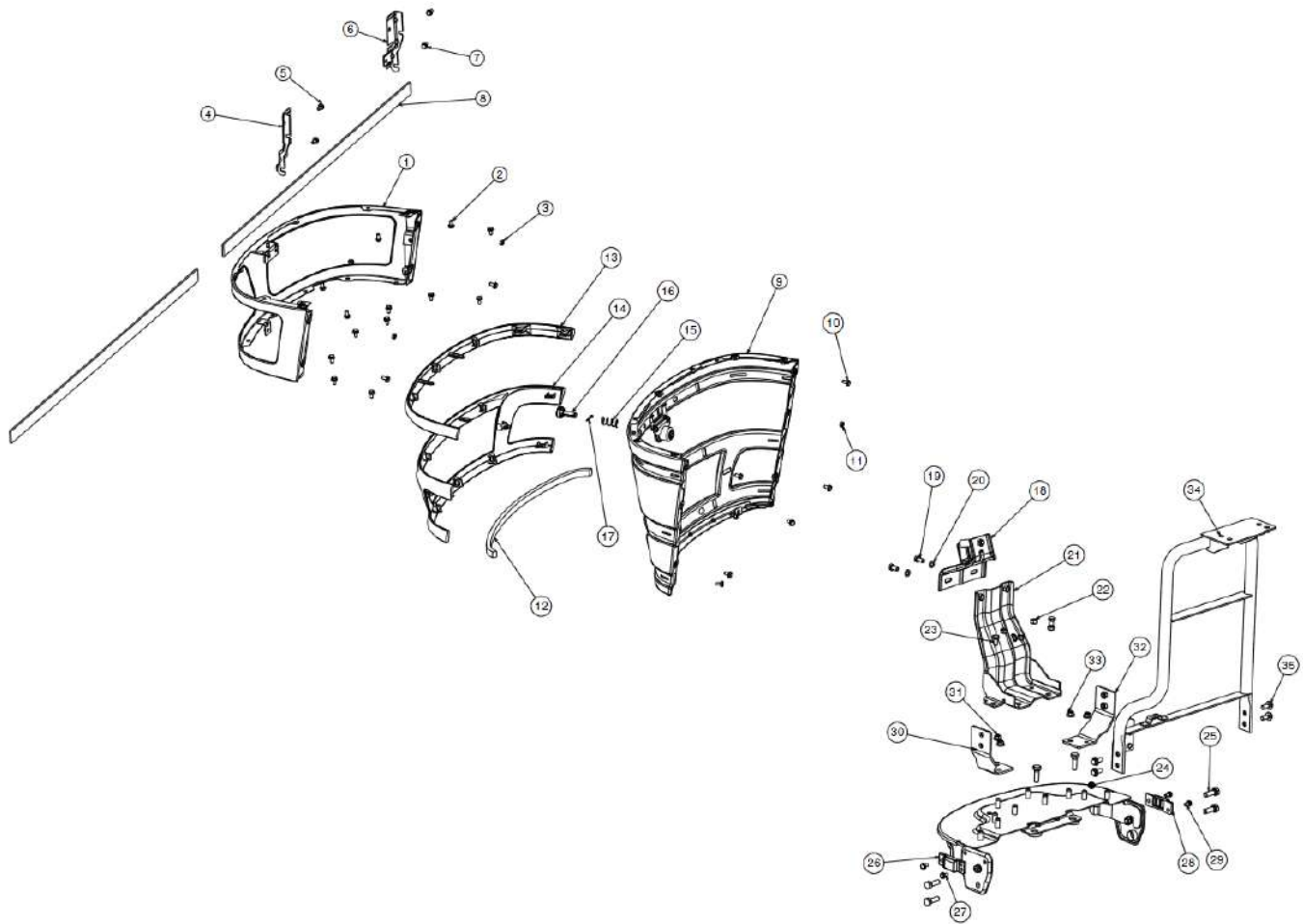
# HOOD ASSY



| M&M Part Number | Ref. | Description of Part               | Quantity |     | Remarks / Service Bulletin No. |
|-----------------|------|-----------------------------------|----------|-----|--------------------------------|
|                 |      |                                   | 3DI      | 4DI |                                |
| 007501706V91    | 1    | HOOD ASSLY COMPLETE - 4DI         | --       | 1   |                                |
| 007501661V91    | 1    | HOOD ASSLY COMPLETE - 3DI         | 1        | --  |                                |
| 007542578V1     | 2    | RUBBER BEADING BONNET FRONT       | 1        | 1   |                                |
| 007543162V1     | 3    | SIDE GRILL LH                     | 1        | 1   |                                |
| 000020797E05    | 4    | M6X 12 FLANGE HEX BOLT            | 6        | 6   |                                |
| 007543163V1     | 5    | SIDE GRILL RH                     | 1        | 1   |                                |
| 000020797E05    | 6    | M6X 12 FLANGE HEX BOLT            | 6        | 6   |                                |
| 007501898V1     | 7    | SIDE GRILLE ADDON LH-TOP          | 1        | 1   |                                |
| 007501899V1     | 8    | SIDE GRILLE ADDON LH- BOTTOM      | 1        | 1   |                                |
| 007501900V1     | 9    | SIDE GRILLE ADDON RH-TOP          | 1        | 1   |                                |
| 007501901V1     | 10   | SIDE GRILLE ADDON RH- BOTTOM      | 1        | 1   |                                |
| 007542579V1     | 11   | RADIATOR SIDE SEALING LH          | 1        | 1   |                                |
| 001233807R1     | 12   | M6 FLANGE HEX NUT                 | 5        | 5   |                                |
| 000060685M01    | 13   | PLAIN WASHER M-6                  | 5        | 5   |                                |
| 007542580V1     | 14   | RADIATOR SIDE SEALING RH          | 1        | 1   |                                |
| 001233807R1     | 15   | M6 FLANGE HEX NUT                 | 5        | 5   |                                |
| 000060685M01    | 16   | PLAIN WASHER M-6                  | 5        | 5   |                                |
| 007501588C2     | 17   | MASCOT                            | 1        | 1   |                                |
| 001233807R1     | 18   | M6 FLANGE HEX NUT                 | 2        | 2   |                                |
| 007515212D1     | 19   | PLAIN WASHER 6.5X15X1.5           | 2        | 2   |                                |
| 007544406V1     | 20   | HOOD TOP PANEL SUPPORT BKT        | 1        | 1   |                                |
| 007544412V91    | 21   | HOOD LATCH MTG BKT ASSLY          | 1        | 1   |                                |
| 000020777E05    | 22   | M8 FLANGE HEX NUT                 | 2        | 2   |                                |
| 000020307E05    | 23   | HEX FLANGE BOLT M8 X 20           | 2        | 2   |                                |
| 007543348V91    | 24   | LATCH MTG BKT ASSY                | 1        | 1   |                                |
| 000020777E05    | 25   | M8 FLANGE HEX NUT                 | 3        | 3   |                                |
| 007501831V91    | 26   | HOOD LATCH ASSY                   | 1        | 1   |                                |
| 000020312E05    | 27   | M6X 20 FLANGE HEX BOLT            | 4        | 4   |                                |
| 007542502V91    | 28   | ASSEMBLY GAS- SPRING-4DI          | 2        | 2   |                                |
| 007515765V1     | 29   | RUBBER SEALING FUEL TANK -LH      | 1        | 1   |                                |
| 007515766V1     | 30   | RUBBER SEALING FUEL TANK - RH     | 1        | 1   |                                |
| 007543550V1     | 31   | RUBBER SEALING - FUEL TANK MID    | 1        | 1   |                                |
| 000020739E05    | 32   | WASHER PLAIN G8.5X25X3            | 9        | 9   |                                |
| 000012190P04    | 33   | M8X18 FLANGE HEX BOLT             | 9        | 9   |                                |
| 007501814V91    | 34   | HOOD REAR GUIDING LOCATOR ASSY LH | 1        | 1   |                                |
| 001233807R1     | 35   | M6 FLANGE HEX NUT                 | 2        | 2   |                                |
| 007501813V91    | 36   | HOOD REAR GUIDING LOCATOR ASSY RH | 1        | 1   |                                |
| 001233807R1     | 37   | M6 FLANGE HEX NUT                 | 2        | 2   |                                |
| 007515626V91    | 38   | MOVING HINGE ASSY                 | 1        | 1   |                                |
| 000020307E05    | 39   | BOLT HEX M8X1.25X16X8.8           | 2        | 2   |                                |
| 006003914H1     | 40   | FLANGE HEX NUT M10                | 3        | 3   |                                |
| 007501624C1     | 41   | RUBBER STOPPER BONNET             | 2        | 2   |                                |
| 001233808R1     | 42   | WASHER SPRING L M6X11.6X1.6       | 2        | 2   |                                |
|                 |      |                                   |          |     |                                |
|                 |      |                                   |          |     |                                |
|                 |      |                                   |          |     |                                |
|                 |      |                                   |          |     |                                |
|                 |      |                                   |          |     |                                |

\* Parts Not Illustrated / ‡ Not Serviceable Separately / ◆ Alternate Part Number / A/R As Required

# FRONT GRILL ASSEMBLY

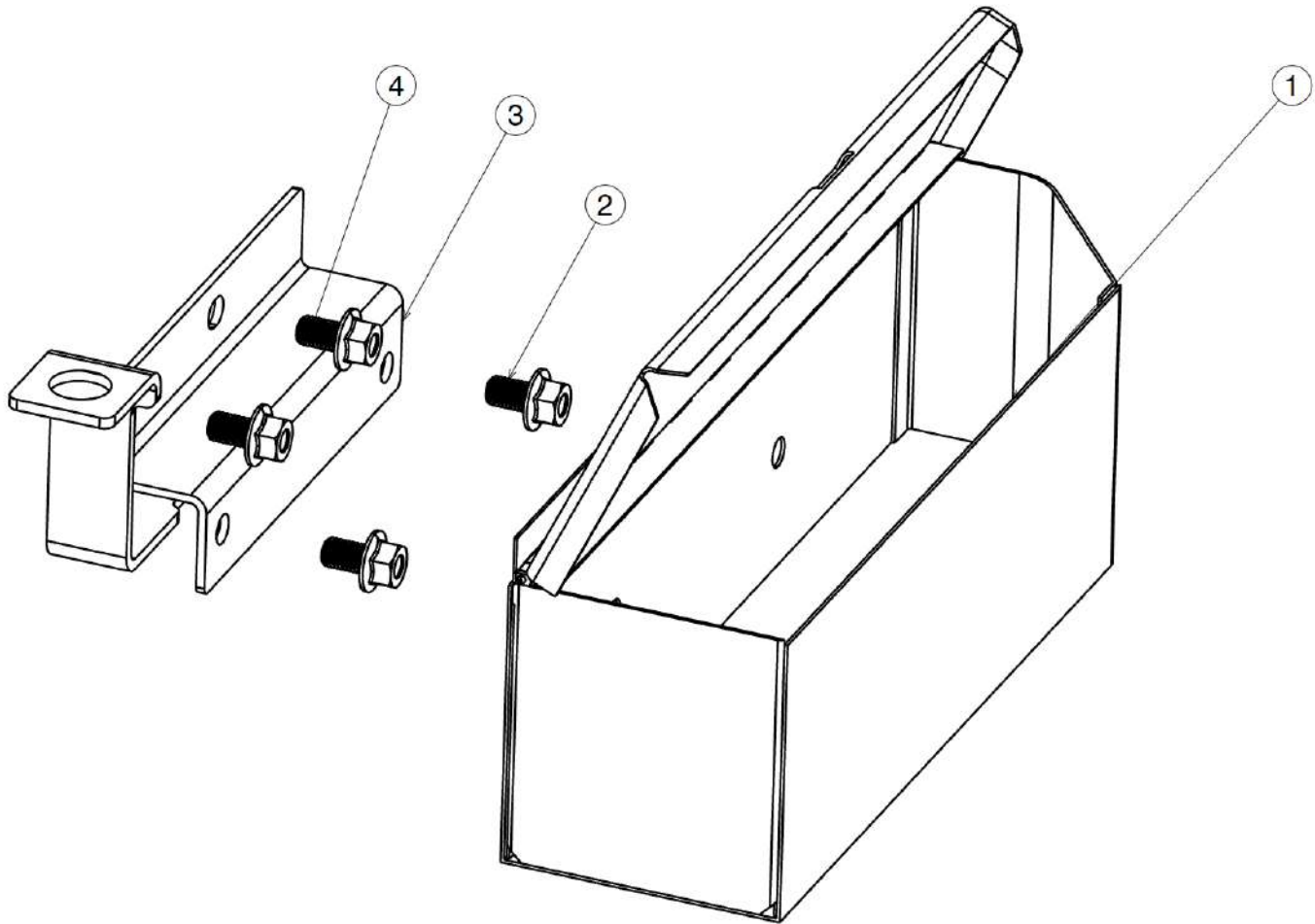


# FRONT GRILL ASSEMBLY

| M&M Part Number | Ref. | Description of Part                 | Quantity |     | Remarks / Service Bulletin No. |
|-----------------|------|-------------------------------------|----------|-----|--------------------------------|
|                 |      |                                     | 3DI      | 4DI |                                |
| 007502004V91    | 1    | TOP FRONT GRILL BEZEL ASSLY         | 1        | 1   |                                |
| 000020797E05    | 2    | M6X 12 FLANGE HEX BOLT              | 15       | 15  |                                |
| 007515212D1     | 2.1  | WASHER PLAIN h6X15X1.5              | 3        | 3   |                                |
| 001233807R1     | 3    | M6 FLANGE HEX NUT                   | 3        | 3   |                                |
| 007501843V1     | 4    | HEADLAMP MTG BKT SIDE LH            | 1        | 1   |                                |
| 000020797E05    | 5    | M6X 12 FLANGE HEX BOLT              | 2        | 2   |                                |
| 007501844V1     | 6    | HEADLAMP MTG BKT SIDE RH            | 1        | 1   |                                |
| 000020797E05    | 7    | M6X 12 FLANGE HEX BOLT              | 2        | 2   |                                |
| 007544554V1     | 8    | HEADLAMP FOAM BEADING               | 2        | 2   |                                |
| 007501997V91    | 9    | FRONT GRILL ASSY                    | 1        | 1   |                                |
| 000020797E05    | 10   | M6X 12 FLANGE HEX BOLT              | 6        | 6   |                                |
| 007515212D1     |      | WASHER PLAIN h6X15X1.5              | 3        | 3   |                                |
| 001233807R1     | 11   | M6 FLANGE HEX NUT                   | 2        | 2   |                                |
| 007543401V1     | 12   | FRONT GRILL BOTTOM FOAM             | 1        | 1   |                                |
| 007501896V1     | 13   | FRONT GRILLE ADDON - TOP            | 1        | 1   |                                |
| 007501897V1     | 14   | FRONT GRILLE ADDON - BOTTOM         | 1        | 1   |                                |
| 007501820V1     | 15   | SPRING FOR PLUNGER ASSY             | 1        | 1   |                                |
| 007543392V91    | 16   | PLUNGER ASSEMBLY                    | 1        | 1   |                                |
| 000103373       | 17   | PIN COTTER 3/32 X 3/4 ZINC PLATED   | 1        | 1   |                                |
| 007543393V91    | 18   | LATCH PIN MTG BKT ASSLY             | 1        | 1   |                                |
| 000020307E05    | 19   | BOLT HEXFL M8X1.25X17.5X8.8         | 2        | 2   |                                |
| 000934309R1     | 20   | SPRING WASHER M8                    | 2        | 2   |                                |
| 007542854V91    | 21   | LATCH MTG SUPPORT BKT ASSY          | 1        | 1   |                                |
| 000020777E05    | 22   | FLANGE HEX NUT M8                   | 4        | 4   |                                |
| 000020308E05    | 23   | BOLT HEX M8X1.25X16X8.8             | 2        | 2   |                                |
| 007543480V91    | 24   | FRONT PANEL BOTTOM WELDED ASSY 4DI  | --       | 1   |                                |
| 007543444V91    | 24   | FRONT PANEL BOTTOM WELDED ASSLY 3DI | 1        | --  |                                |
| 000020313E05    | 25   | HEX FLANGE BOLT M10X30              | 6        | 6   |                                |
| 007501808V1     | 26   | FRONT HOOD GUIDING PAD LH           | 1        | 1   |                                |
| 000020797E05    | 27   | M6X 12 FLANGE HEX BOLT              | 2        | 2   |                                |
| 007501819V1     | 28   | FRONT HOOD GUIDING PAD RH           | 1        | 1   |                                |
| 000020797E05    | 29   | M6X 12 FLANGE HEX BOLT              | 2        | 2   |                                |
| 007545672V91    | 30   | PRE CLEANER BOTTOM MTG BRKT ASSY LH | 1        | 1   |                                |
| 000020777E05    | 31   | NUT HEX FL M8X1.25X8.7X8            | 2        | 2   |                                |
| 007545673V91    | 32   | PRE CLEANER BOTTOM MTG BRKT ASSY RH | 1        | 1   |                                |
| 000020777E05    | 33   | NUT HEX FL M8X1.25X8.7X8            | 2        | 2   |                                |
| 007545276V91    | 34   | PRE CLEANER MTG BRKT ASSY           | 1        | 1   |                                |
| 000020307E05    | 35   | BOLT HEXFL M8X1.25X20X8.8           | 4        | 4   |                                |
|                 |      |                                     |          |     |                                |
|                 |      |                                     |          |     |                                |
|                 |      |                                     |          |     |                                |
|                 |      |                                     |          |     |                                |
|                 |      |                                     |          |     |                                |
|                 |      |                                     |          |     |                                |
|                 |      |                                     |          |     |                                |
|                 |      |                                     |          |     |                                |
|                 |      |                                     |          |     |                                |
|                 |      |                                     |          |     |                                |
|                 |      |                                     |          |     |                                |

\* Parts Not Illustrated / ‡ Not Serviceable Separately / ◆ Alternate Part Number / A/R As Required

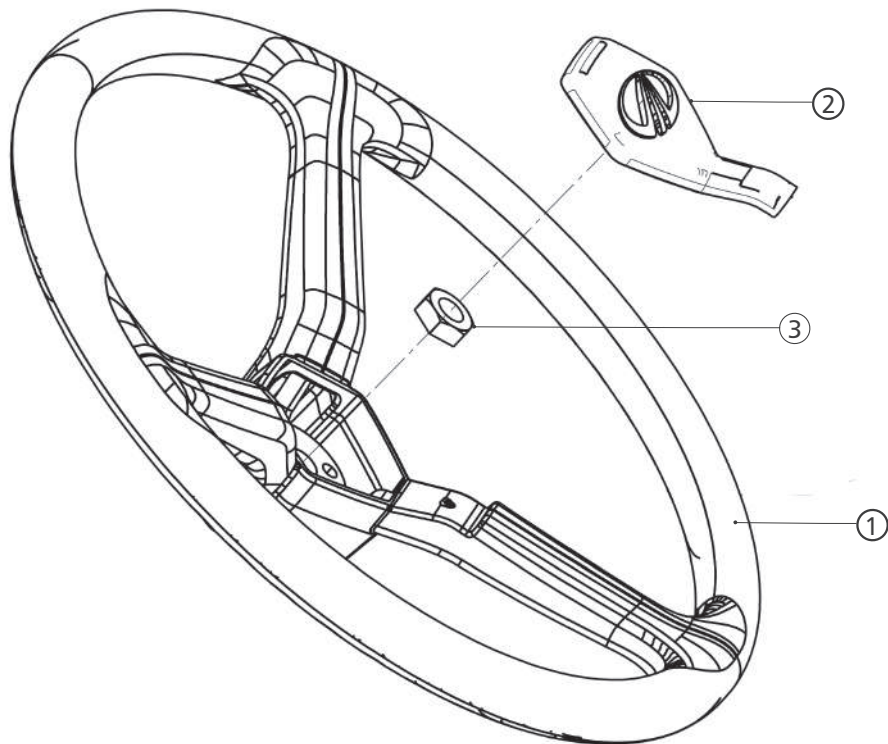
# TOOL BOX ASSY





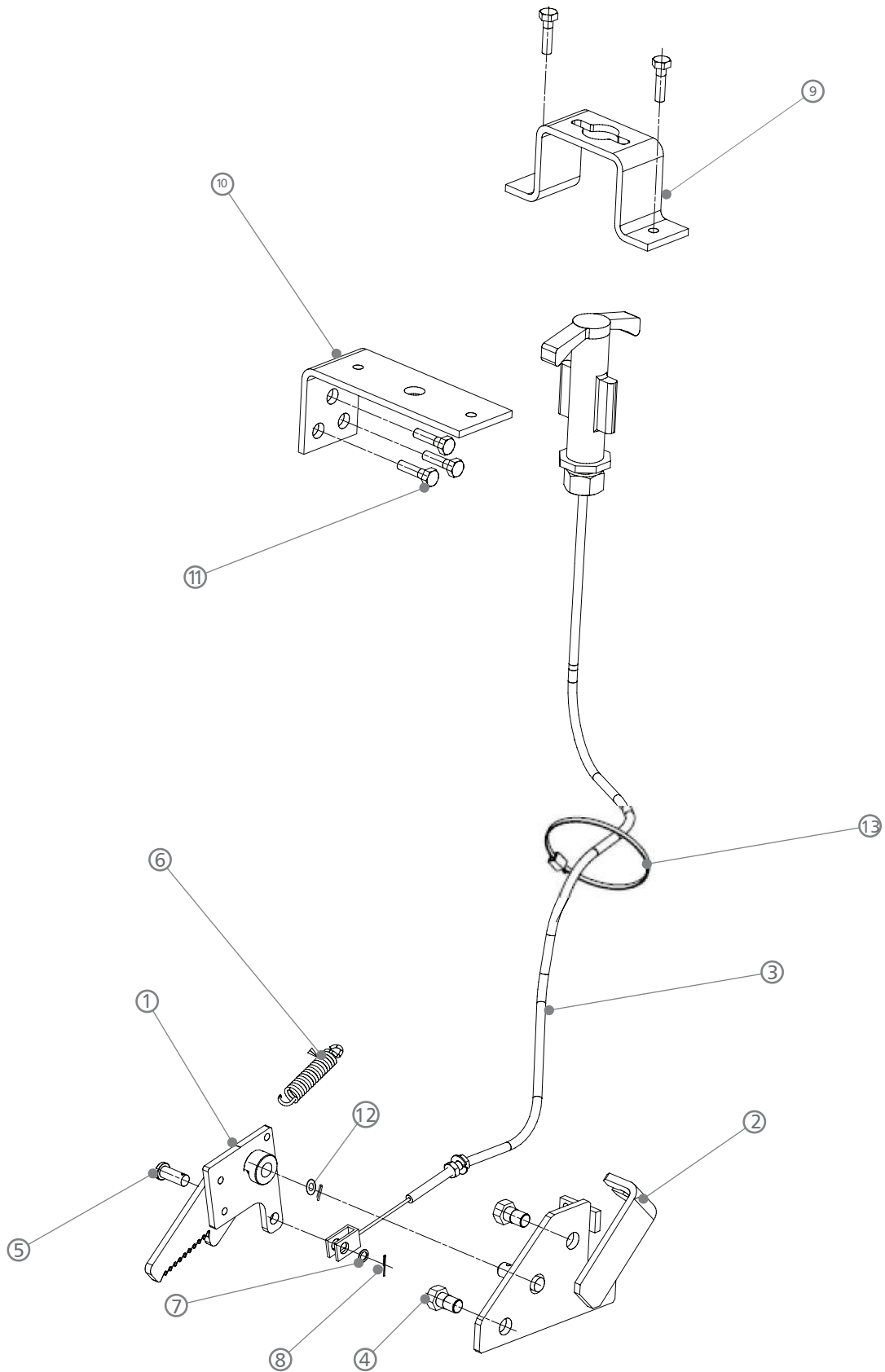


# STEERING WHEEL





# HAND BRAKE ASSEMBLY

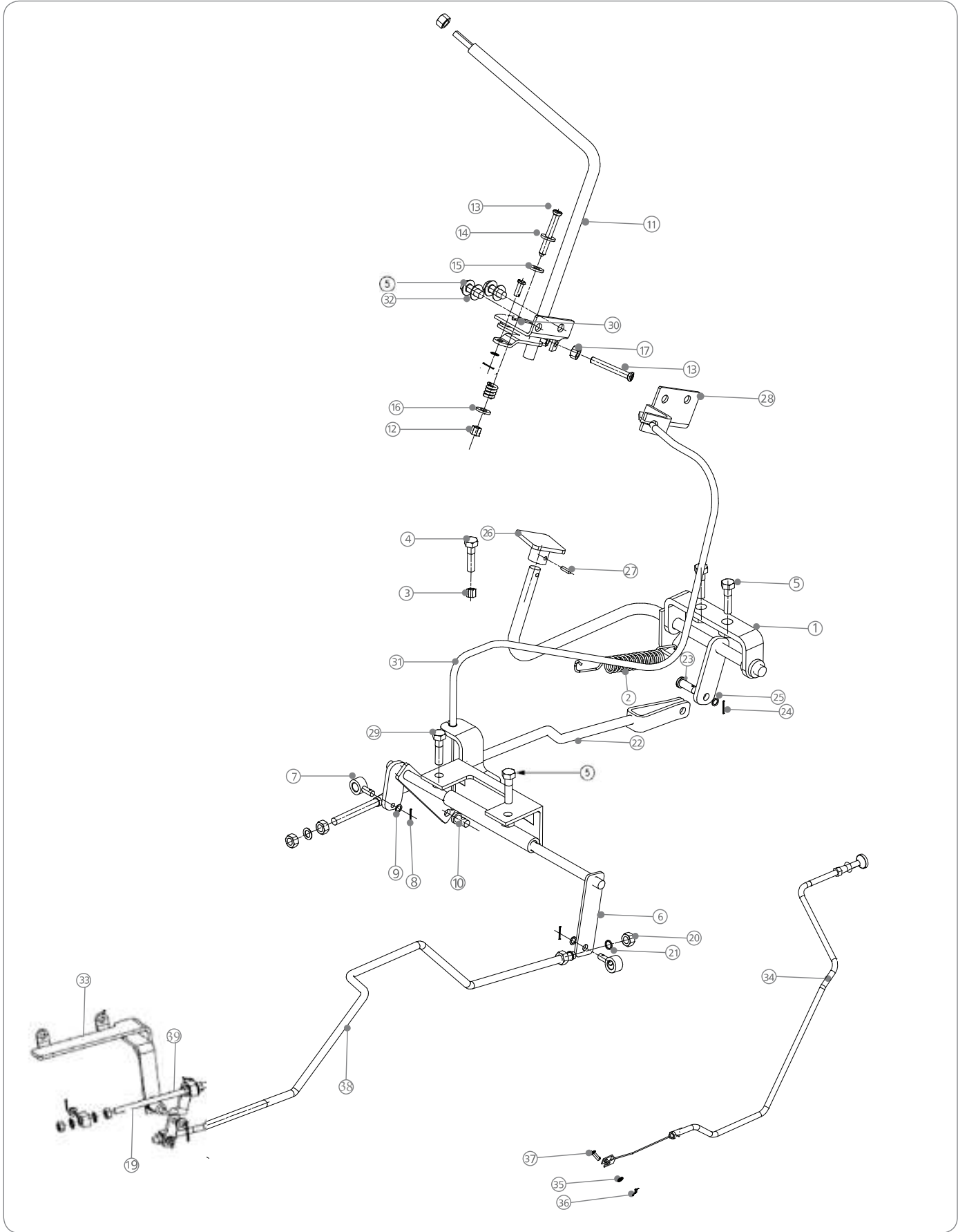


# HAND BRAKE ASSEMBLY

| M&M Part Number | Ref. | Description of Part                 | Quantity |     | Remarks / Service Bulletin No. |
|-----------------|------|-------------------------------------|----------|-----|--------------------------------|
|                 |      |                                     | 3DI      | 4DI |                                |
| 007608511V1     | 1    | PLATE HAND BRAKE RATCHET            | 1        | 1   |                                |
| 007608510V91    | 2    | BRACKET HAND BRAKE RATCHET MOUNTING | 1        | 1   |                                |
| 007608515V11    | 3    | HAND BRAKE CABLE ASSY               | 1        | 1   |                                |
| 000020565E05    | 4    | BOLT HEX M10X1.5X20.5X10.9          | 2        | 2   |                                |
| 000039374D      | 5    | PIN                                 | 1        | 1   |                                |
| 007600359D1     | 6    | SPRING                              | 1        | 1   |                                |
| 007535860D1     | 7    | WASHER PLAIN                        | 3        | 3   |                                |
| 000103374       | 8    | COTTER PIN                          | 2        | 2   |                                |
| 007608561V11    | 9    | BRACKET HAND BRAKE CABLE            | 1        | 1   |                                |
| 007609976V1     | 10   | HAND BRAKE MOUNTING L-PLATE         | 1        | 1   |                                |
| 000020307E05    | 11   | BOLT HEXFL M8X1.25X20X8.8           | 5        | 5   |                                |
| 000120393       | 12   | WASHER PLAIN                        | 1        | 1   |                                |
| 007200625B1     | 13   | TIE CLIP                            | 1        | 1   |                                |
|                 |      |                                     |          |     |                                |
|                 |      |                                     |          |     |                                |
|                 |      |                                     |          |     |                                |
|                 |      |                                     |          |     |                                |
|                 |      |                                     |          |     |                                |
|                 |      |                                     |          |     |                                |
|                 |      |                                     |          |     |                                |
|                 |      |                                     |          |     |                                |
|                 |      |                                     |          |     |                                |
|                 |      |                                     |          |     |                                |
|                 |      |                                     |          |     |                                |
|                 |      |                                     |          |     |                                |
|                 |      |                                     |          |     |                                |
|                 |      |                                     |          |     |                                |
|                 |      |                                     |          |     |                                |
|                 |      |                                     |          |     |                                |
|                 |      |                                     |          |     |                                |
|                 |      |                                     |          |     |                                |
|                 |      |                                     |          |     |                                |
|                 |      |                                     |          |     |                                |
|                 |      |                                     |          |     |                                |
|                 |      |                                     |          |     |                                |
|                 |      |                                     |          |     |                                |
|                 |      |                                     |          |     |                                |
|                 |      |                                     |          |     |                                |
|                 |      |                                     |          |     |                                |
|                 |      |                                     |          |     |                                |
|                 |      |                                     |          |     |                                |
|                 |      |                                     |          |     |                                |
|                 |      |                                     |          |     |                                |
|                 |      |                                     |          |     |                                |
|                 |      |                                     |          |     |                                |
|                 |      |                                     |          |     |                                |

\* Parts Not Illustrated / ‡ Not Serviceable Separately / ◆ Alternate Part Number / A/R As Required

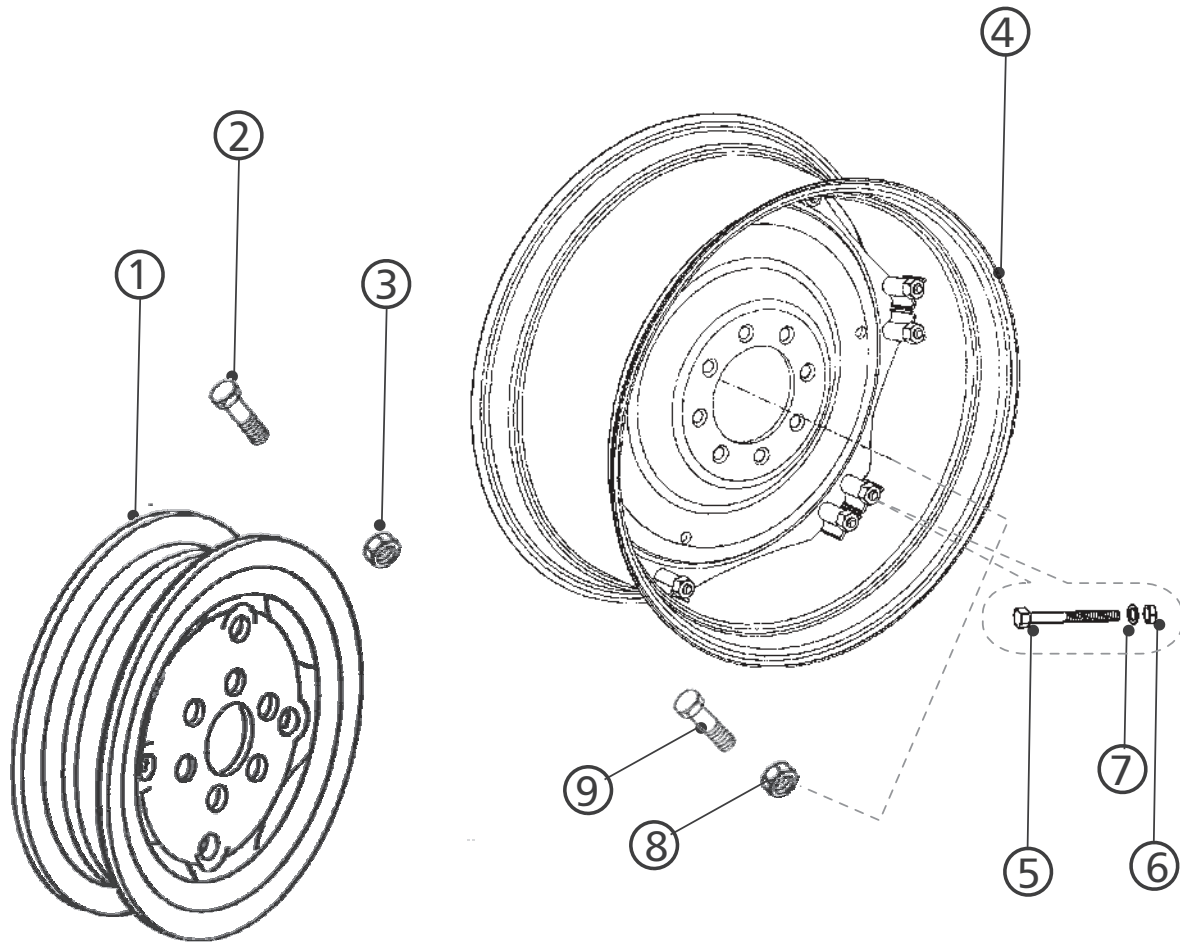
# FOOT AND HAND ACCELERATOR



# FOOT AND HAND ACCELERATOR

| M&M Part Number | Ref. | Description of Part                      | Quantity |     | Remarks / Service Bulletin No. |
|-----------------|------|--|----------|-----|--------------------------------|
|                 |      |  | 3DI      | 4DI |                                |
| 007608491V91    | 1    | FOOT PEDAL ASSEMBLY                      | 1        | 1   |                                |
| 007600461R1     | 2    | SPRING FOR FOOT ACCELERATOR              | 1        | 1   |                                |
| 005553017R1     | 3    | NUT M8 X 1.25 (FOR STOPPER)              | 1        | 1   |                                |
| 006009061B1     | 4    | M8X1.25 BOLT(FOR STOPPER)                | 1        | 1   |                                |
| 000020307E05    | 5    | M8 BOLT                                  | 6        | 6   |                                |
| 007608577V91    | 6    | GOVERNOR CONTROL CROSS SHAFT ASSEMBLY    | 1        | 1   |                                |
| 007610463V1     | 7    | Z LINK MOUNTING PIN                      | 5        | 5   |                                |
| 000103361       | 8    | PIN COTTER 3/32 X 3/4                    | 6        | 6   |                                |
| 000060685M01    | 9    | PLAIN WASHER                             | 11       | 11  |                                |
| 007610464V1     | 10   | CABLE MOUNTING PIN                       | 1        | 1   |                                |
| 007608450V91    | 11   | HAND ACCELERATOR CPTE                    | 1        | 1   |                                |
| 001121174R1     | 12   | NYLOC NUT                                | 1        | 1   |                                |
| 000225507       | 13   | SCREW G 6.35MM X 44.45MM                 | 2        | 2   |                                |
| 003047325R1     | 14   | WASHER                                   | 2        | 2   |                                |
| 000704681R2     | 15   | WASHER GOV CONTROL FRICTION              | 2        | 2   |                                |
| 003047323R1     | 16   | SPRING GOVERNOR                          | 1        | 1   |                                |
| 000114492       | 17   | M4 NUT                                   | 2        | 2   |                                |
| 006008883B1     | 18   | HAND ACCELERATOR MTG BOLT                | 2        | 2   |                                |
| 007610865V1     | 19   | GOVERNOR CONTROL ROD 4DI                 | -        | 1   |                                |
| 007610917V1     | 19   | GOVERNOR CONTROL ROD 3DI                 | 1        | -   |                                |
| 005553017R1     | 20   | M8 NUT                                   | 12       | 12  |                                |
| 000114605       | 21   | WASHER G 7.938MM TOOTH LOCK              | 10       | 10  |                                |
| 007608601V11    | 22   | CONTROL ROD ASSY LH                      | 1        | 1   |                                |
| 000039374D      | 23   | PIN CINTROL ROD                          | 1        | 1   |                                |
| 000103373       | 24   | PIN COTTER 1/16 X 1/2-H3                 | 1        | 1   |                                |
| 000060686M01    | 25   | WASHER PLAIN                             | 1        | 1   |                                |
| 007609974V11    | 26   | FOOT REST ASSY                           | 1        | 1   |                                |
| 000017047R1     | 27   | ROLL PIN                                 | 1        | 1   |                                |
| 007610455V11    | 28   | CABLE MTG ASSY STEERING COLUMN           | 1        | 1   |                                |
| 007610462V1     | 29   | CABLE MTG BRACKET                        | 1        | 1   |                                |
| 000060724M01    | 30   | PIN CABLE MTG MTG STEERING COLUMN        | 1        | 1   |                                |
| 007610467V91    | 31   | CABLE HAND ACCELERATOR                   | 1        | 1   |                                |
| 001082011R2     | 32   | SPRING WASHER                            | 2        | 2   |                                |
| 007611118V91    | 33   | BRKT.-PULL TO STOP 4 DI EXPORT(NON ERGO) | 1        | 1   |                                |
| 007610862V11    | 33   | BRKT PULL TO STOP 3 DI                   | 1        |     |                                |
| 005557674R97    | 34   | PULL TO STOP CABLE                       | 1        | 1   |                                |
| 000446161       | 35   | Washer plain                             | 1        | 1   |                                |
| 000103361       | 36   | PIN COTTER 1/16 X 1/2-H3                 | 1        | 1   |                                |
| 007610464V1     | 37   | PIN CABLE                                | 1        | 1   |                                |
| 007610864V1     | 38   | GOVERNOR CONTROL ROD                     | 1        | 1   |                                |
| 007610857V1     | 39   | PLUNGER                                  | 1        | 1   |                                |
| 007700625B1     | *    | CABLETIE                                 | 1        | 1   |                                |
|                 |      |  |          |     |                                |
|                 |      |  |          |     |                                |
|                 |      |  |          |     |                                |
|                 |      |  |          |     |                                |
|                 |      |  |          |     |                                |
|                 |      |  |          |     |                                |

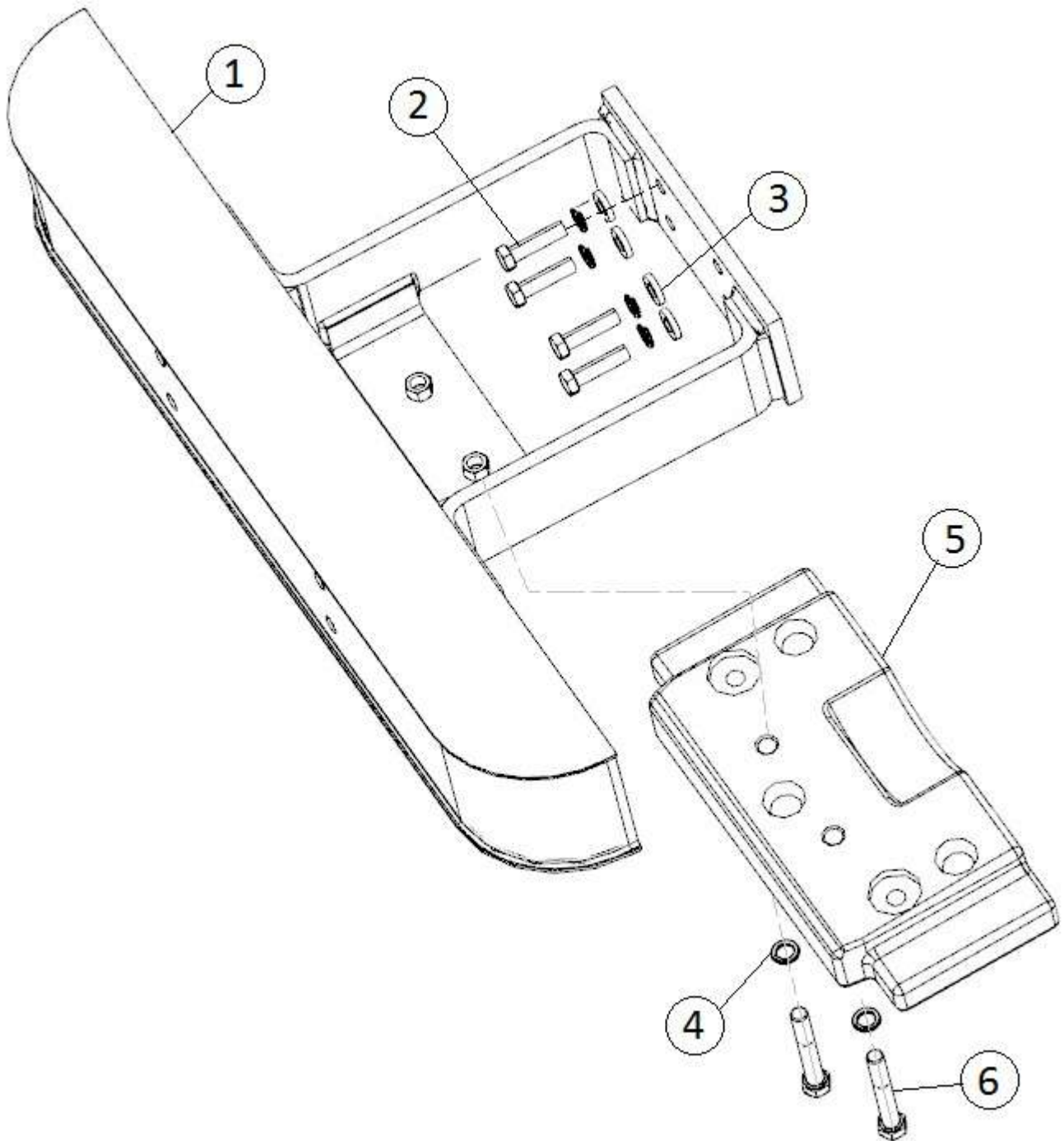
\* Parts Not Illustrated / ‡ Not Serviceable Separately / ♦ Alternate Part Number / A/R As Required







# FRONT BUMPER

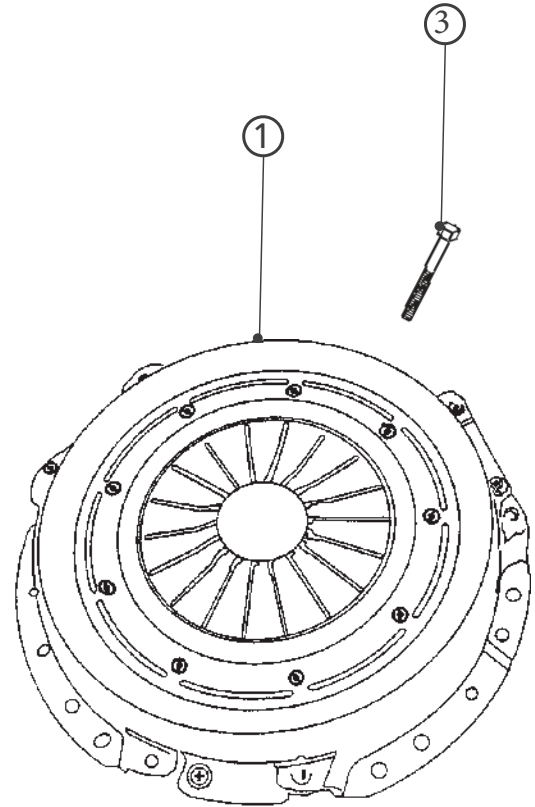
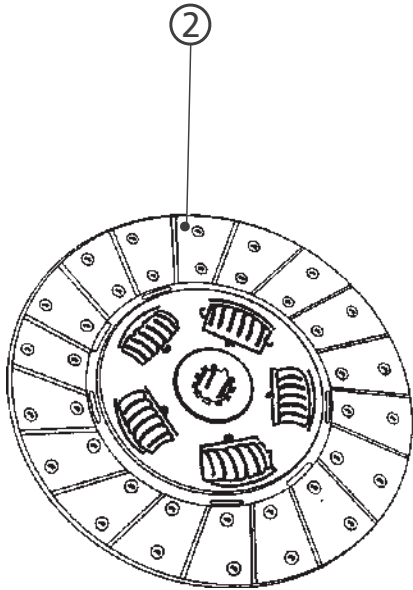






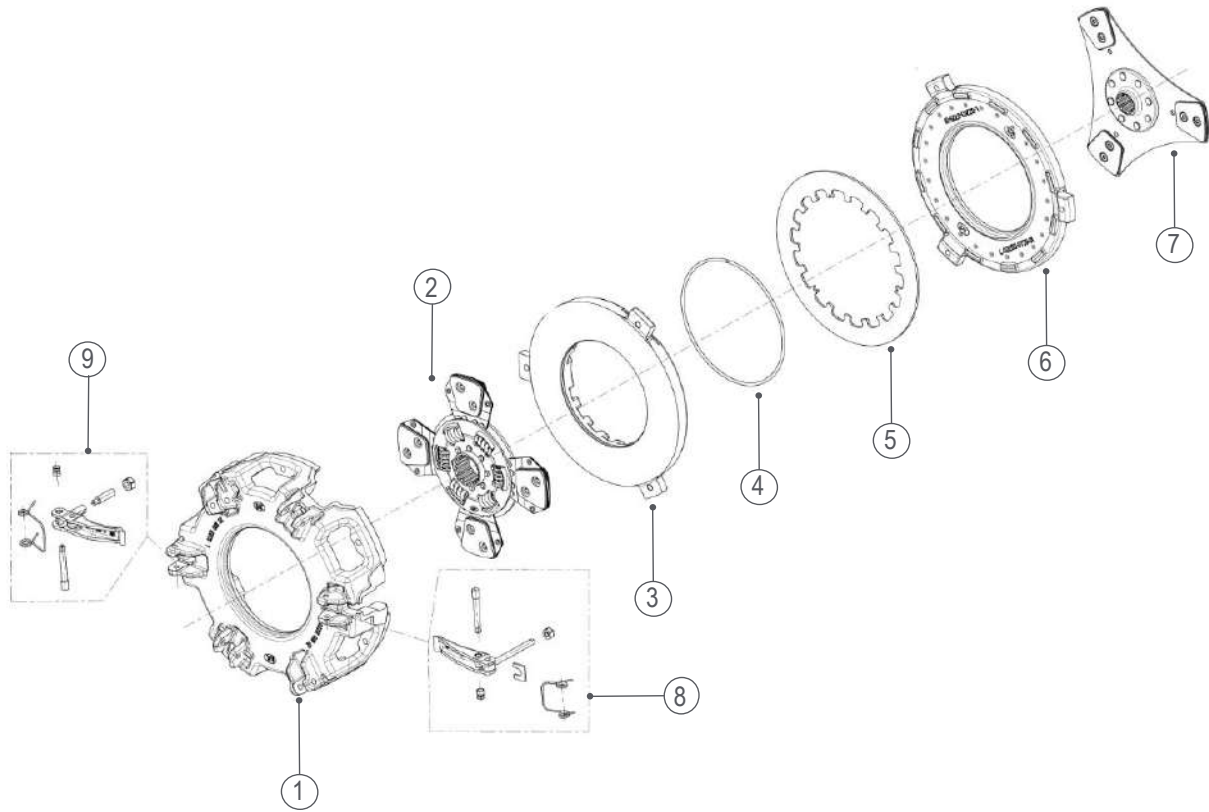
**TRANSMISSION**

# CLUTCH ASSEMBLY DIAPHRAGM





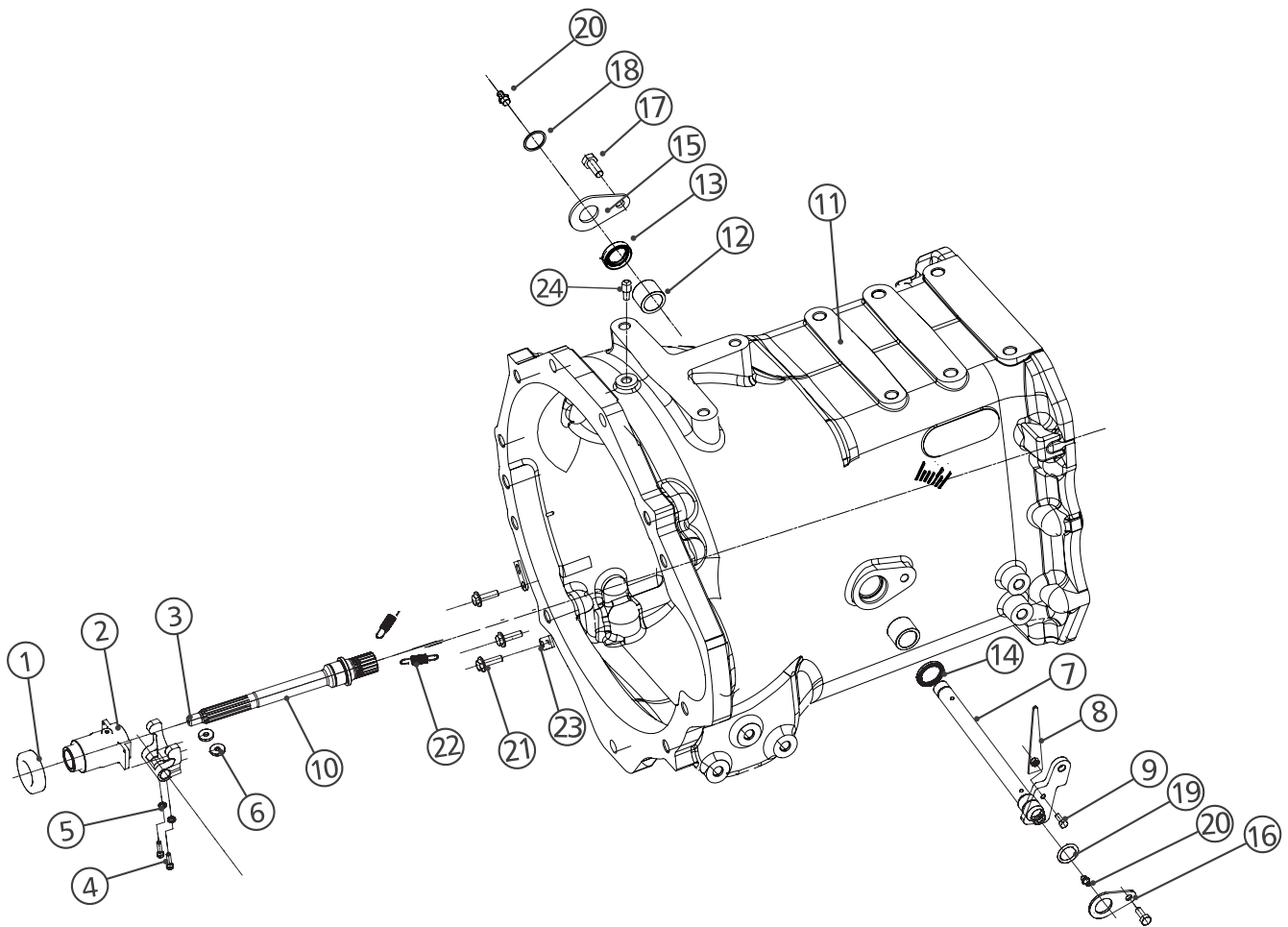
# CLUTCH ASSEMBLY CRPTO/RCRPTO





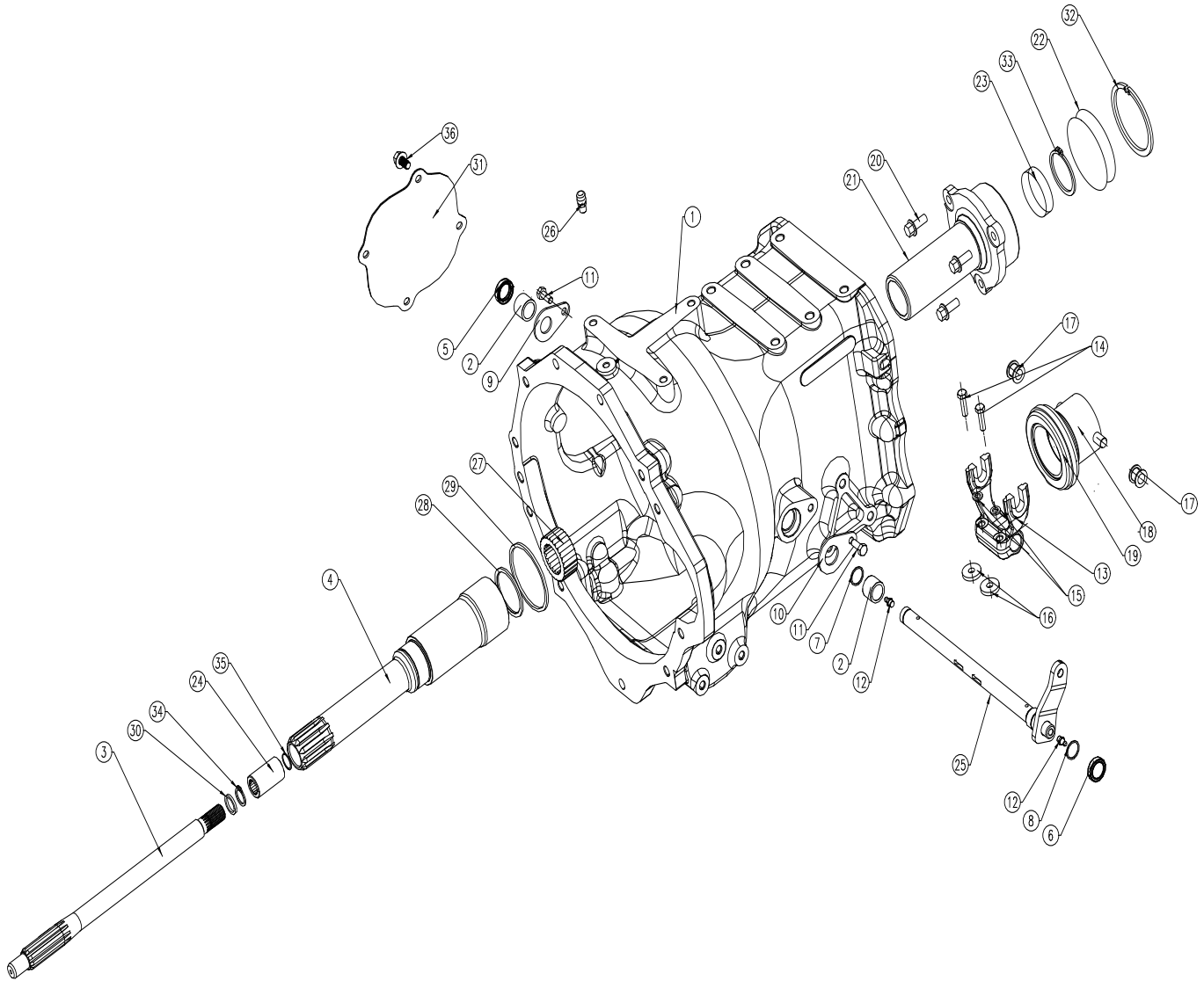


# CLUTCH HOUSING - Non RCRPTO





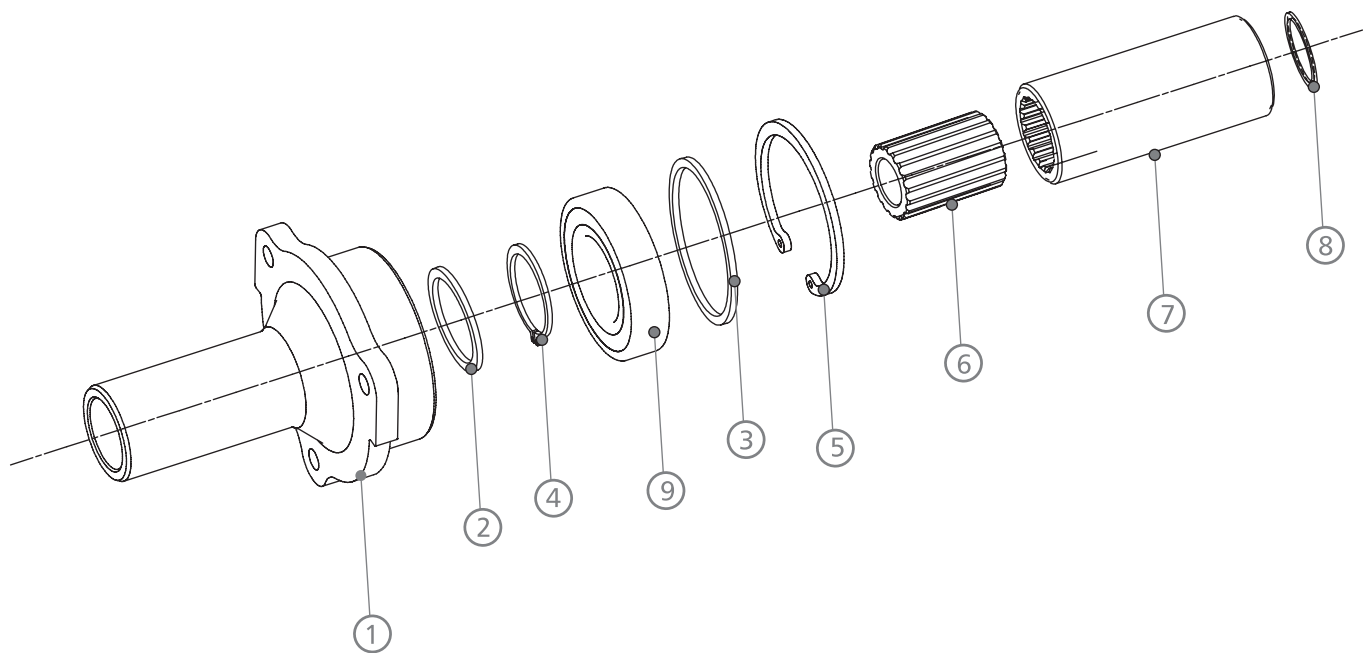
# CLUTCH HOUSING - RCRPTO



ra  
Rise.

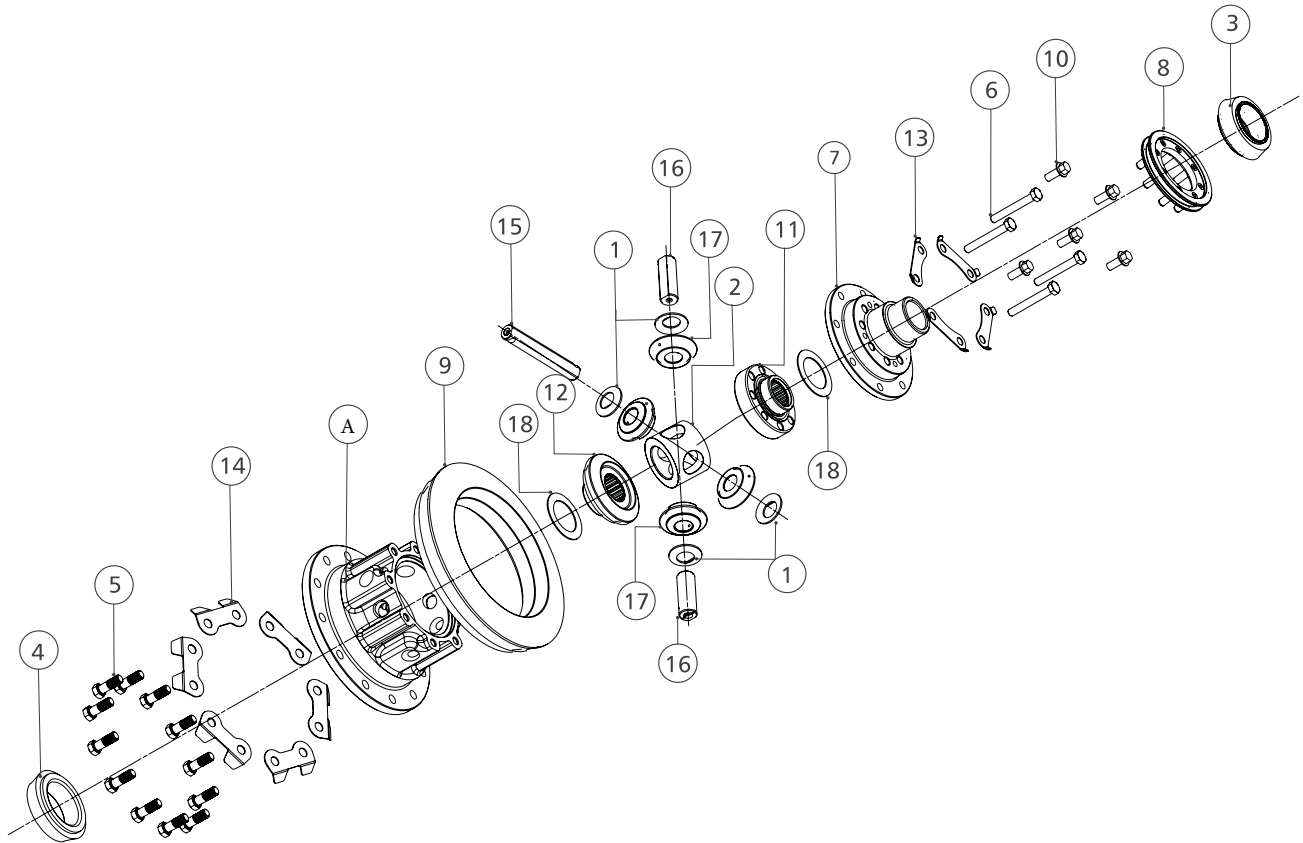


# RETAINER SUB ASSEMBLY





# DIFFERENTIAL SUB ASSEMBLY



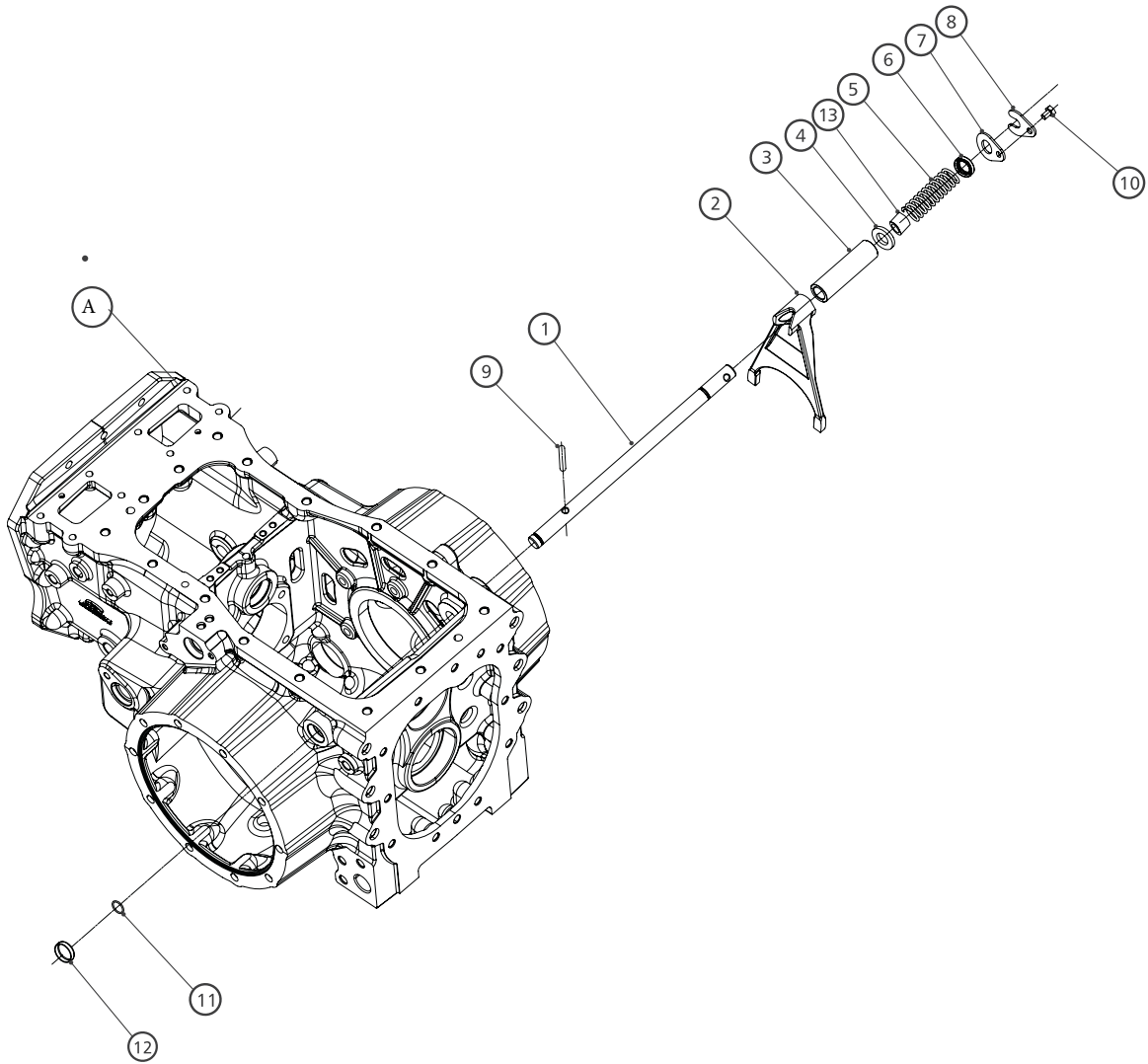


# DIFFERENTIAL SUB ASSEMBLY

| M&M Part Number | Ref. | Description of Part                   | Quantity |     | Remarks / Service Bulletin No. |
|-----------------|------|---------------------------------------|----------|-----|--------------------------------|
|                 |      |                                       | 3DI      | 4DI |                                |
| 006508366U1     | 1    | THRUST WASHER DIFFERENTIAL PINION     | 4        | 4   |                                |
| 006510510V1     | 2    | SUPPORT SPIDER DIFFERENTIAL           | 1        | 1   |                                |
| 006510602V1     | 3    | BEARING TRB DIFF CASE -LH-INNER RACE  | 1        | 1   |                                |
| 006510603V1     | 4    | BEARING TRB DIFF CASE -RH-INNER RACE  | 1        | 1   |                                |
| 006508412U1     | 5    | BOLT RING GEAR DIFFERENTIAL CASE      | 12       | 12  |                                |
| 005553022R1     | 6    | BOLT M10X1.5X75                       | 4        | 4   |                                |
| 006511232V91    | 7    | DIFFERENTIAL HOUSING ASSEMBLY         | 1        | 1   |                                |
| ‡               | A    | ➔ CASE DIFFERENTIAL LH                | 1        | 1   |                                |
| ‡               | A    | ➔ CASE DIFFERENTIAL RH                | 1        | 1   |                                |
| 006512301V11    | 8    | COUPLING DIFFERENTIAL LOCK CPTC       | 1        | 1   |                                |
| ‡               | 9    | CROWN WHEEL-41T                       | 1        | 1   |                                |
| 000012248P04    | 10   | HEX BOLT M10X30                       | 4        | 4   |                                |
| 006510690V1     | 11   | GEAR SIDE BEVEL LH 18T                | 1        | 1   |                                |
| 006510691V1     | 12   | GEAR SIDE BEVEL RH 18T                | 1        | 1   |                                |
| 006511247V1     | 13   | LOCK PLATE DIFFERENTIAL CASE          | 4        | 4   |                                |
| 006512859U1     | 14   | LOCK PLATE RING GEAR BOLT             | 6        | 6   |                                |
| 006510492V1     | 15   | PIN DIFFERENTIAL LONGER               | 1        | 1   |                                |
| 006510493V1     | 16   | PIN DIFFERENTIAL SHORTER              | 2        | 2   |                                |
| 006510629V1     | 17   | PINION DIFFERENTIAL 10T               | 4        | 4   |                                |
| 006510494V1     | 18   | THRUST WASHER SIDE BEVEL DIFFERENTIAL | 2        | 2   |                                |
|                 |      |                                       |          |     |                                |
|                 |      |                                       |          |     |                                |
|                 |      |                                       |          |     |                                |
|                 |      |                                       |          |     |                                |
|                 |      |                                       |          |     |                                |
|                 |      |                                       |          |     |                                |
|                 |      |                                       |          |     |                                |
|                 |      |                                       |          |     |                                |
|                 |      |                                       |          |     |                                |
|                 |      |                                       |          |     |                                |
|                 |      |                                       |          |     |                                |
|                 |      |                                       |          |     |                                |
|                 |      |                                       |          |     |                                |
|                 |      |                                       |          |     |                                |
|                 |      |                                       |          |     |                                |
|                 |      |                                       |          |     |                                |
|                 |      |                                       |          |     |                                |
|                 |      |                                       |          |     |                                |
|                 |      |                                       |          |     |                                |
|                 |      |                                       |          |     |                                |
|                 |      |                                       |          |     |                                |
|                 |      |                                       |          |     |                                |

\* Parts Not Illustrated / ‡ Not Serviceable Separately / ◆ Alternate Part Number / A/R As Required

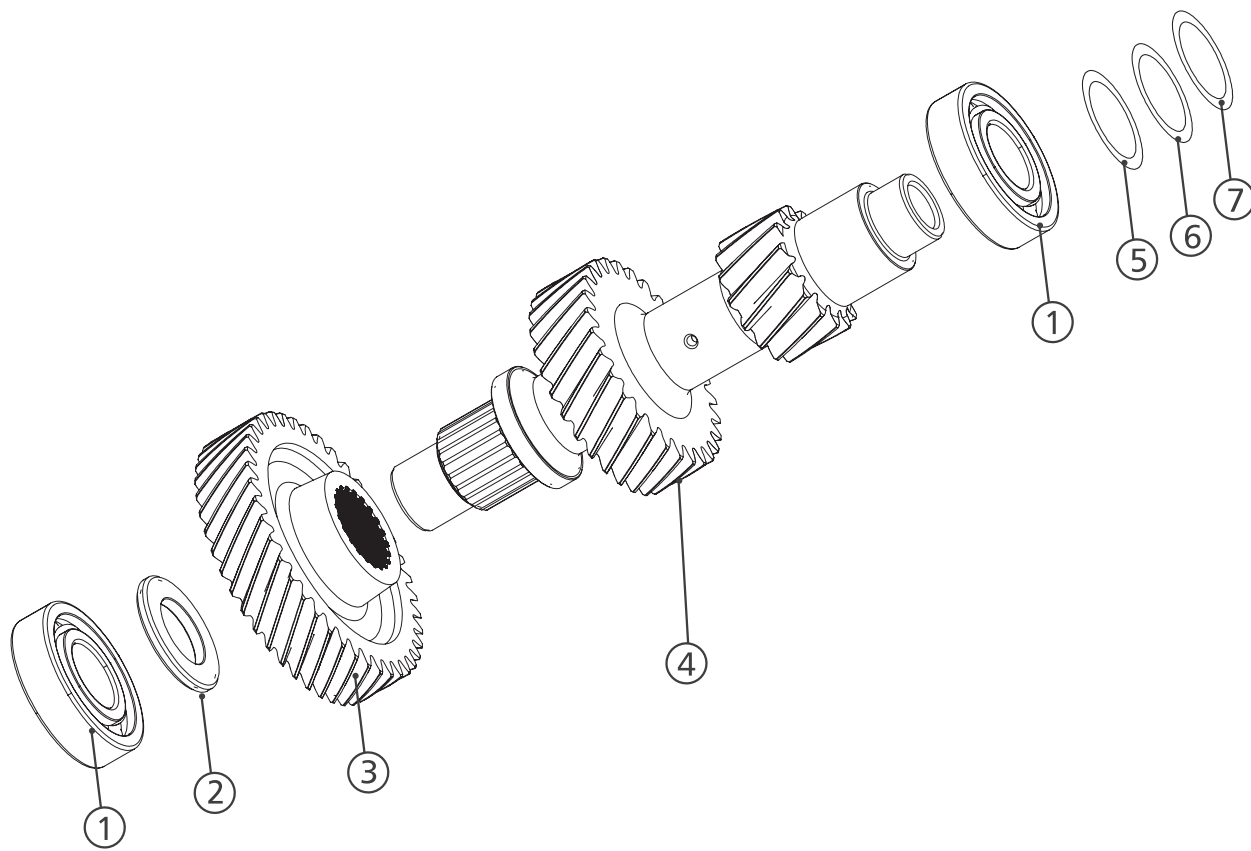
# DIFFERENTIAL LOCK SUB ASSEMBLY



# DIFFERENTIAL LOCK SUB ASSEMBLY

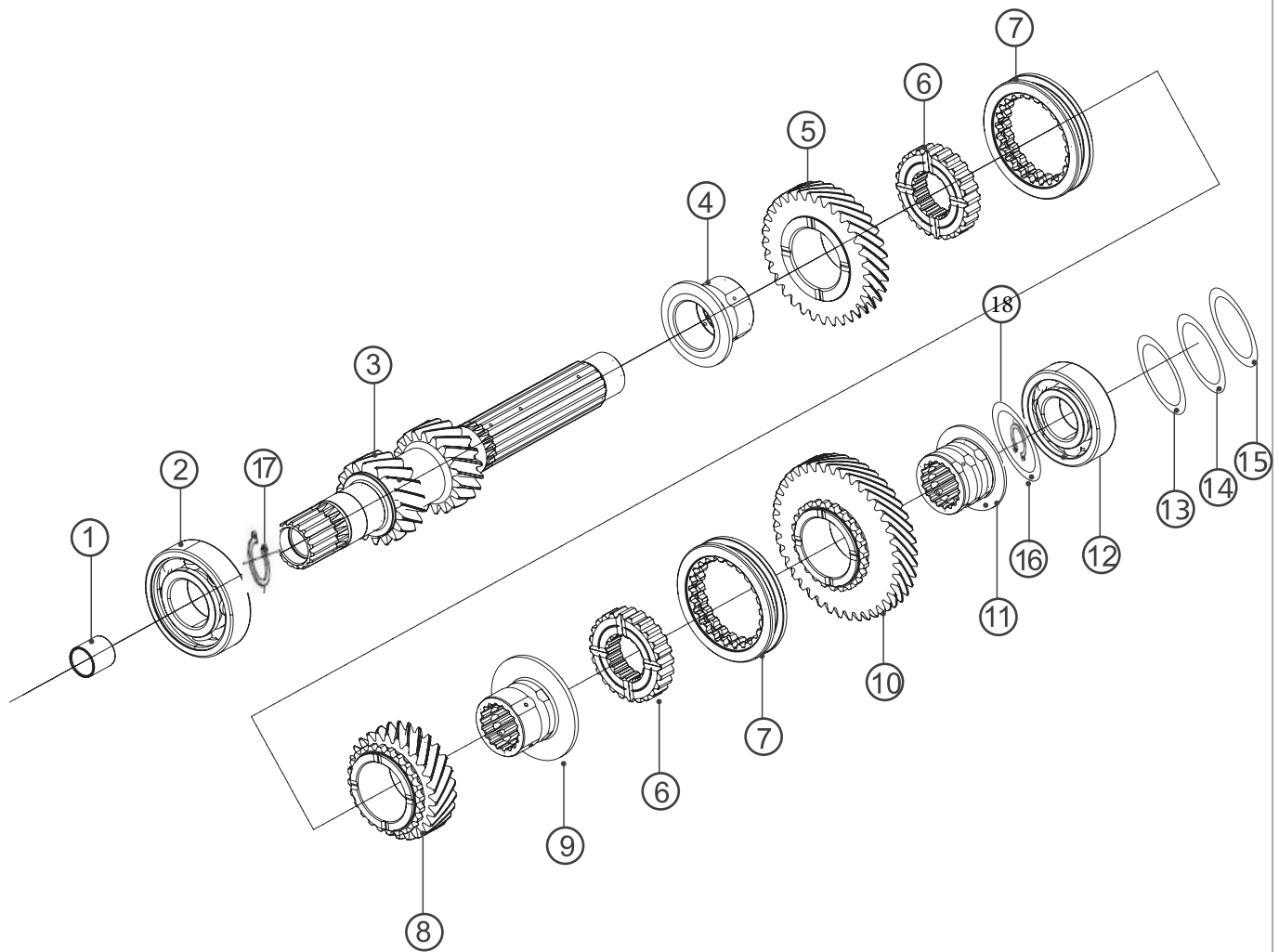
| M&M Part Number | Ref. | Description of Part  | Quantity |     | Remarks / Service Bulletin No. |
|-----------------|------|----------------------|----------|-----|--------------------------------|
|                 |      |                      | 3DI      | 4DI |                                |
| 006510430V1     | A    | HOUSING REAR         | 1        | 1   |                                |
| 006510791V1     | 1    | SHAFT DIFF LOCK      | 1        | 1   |                                |
| 006510790V1     | 2    | FORK DIFF LOCK       | 1        | 1   |                                |
| 006510793V1     | 3    | SLEEVE DIFF LOCK     | 1        | 1   |                                |
| 006000139F1     | 4    | WASHER PLAIN-20X36X5 | 1        | 1   |                                |
| 000016175P04    | 5    | SPRING DIFF LOCK     | 1        | 1   |                                |
| 006511675V1     | 6    | OILSEAL DIFF LOCK    | 1        | 1   |                                |
| 006510797V1     | 7    | WASHER DIFF LOCK     | 1        | 1   |                                |
| 000016322P04    | 8    | LOCKING PLATE        | 1        | 1   |                                |
| 006511350U1     | 9    | PIN DIFF LOCK        | 1        | 1   |                                |
| 000020308E05    | 10   | BOLT HEXFL M8 X 16   | 1        | 1   |                                |
| 000013850P04    | 11   | O-RING DIFF LOCK     | 1        | 1   |                                |
| 006017521V1     | 12   | WELCH PLUG-30X9      | 1        | 1   |                                |
| 006511352U1     | 13   | STOPPER DIFFERENTIAL | 1        | 1   |                                |
|                 |      |                      |          |     |                                |
|                 |      |                      |          |     |                                |
|                 |      |                      |          |     |                                |
|                 |      |                      |          |     |                                |
|                 |      |                      |          |     |                                |
|                 |      |                      |          |     |                                |
|                 |      |                      |          |     |                                |
|                 |      |                      |          |     |                                |
|                 |      |                      |          |     |                                |
|                 |      |                      |          |     |                                |
|                 |      |                      |          |     |                                |
|                 |      |                      |          |     |                                |
|                 |      |                      |          |     |                                |
|                 |      |                      |          |     |                                |
|                 |      |                      |          |     |                                |
|                 |      |                      |          |     |                                |
|                 |      |                      |          |     |                                |
|                 |      |                      |          |     |                                |
|                 |      |                      |          |     |                                |
|                 |      |                      |          |     |                                |
|                 |      |                      |          |     |                                |
|                 |      |                      |          |     |                                |
|                 |      |                      |          |     |                                |
|                 |      |                      |          |     |                                |
|                 |      |                      |          |     |                                |
|                 |      |                      |          |     |                                |
|                 |      |                      |          |     |                                |
|                 |      |                      |          |     |                                |
|                 |      |                      |          |     |                                |
|                 |      |                      |          |     |                                |
|                 |      |                      |          |     |                                |
|                 |      |                      |          |     |                                |
|                 |      |                      |          |     |                                |
|                 |      |                      |          |     |                                |
|                 |      |                      |          |     |                                |
|                 |      |                      |          |     |                                |
|                 |      |                      |          |     |                                |

# RANGE TOP SHAFT SUB ASSY





# SPEED TOP SHAFT ASSEMBLY

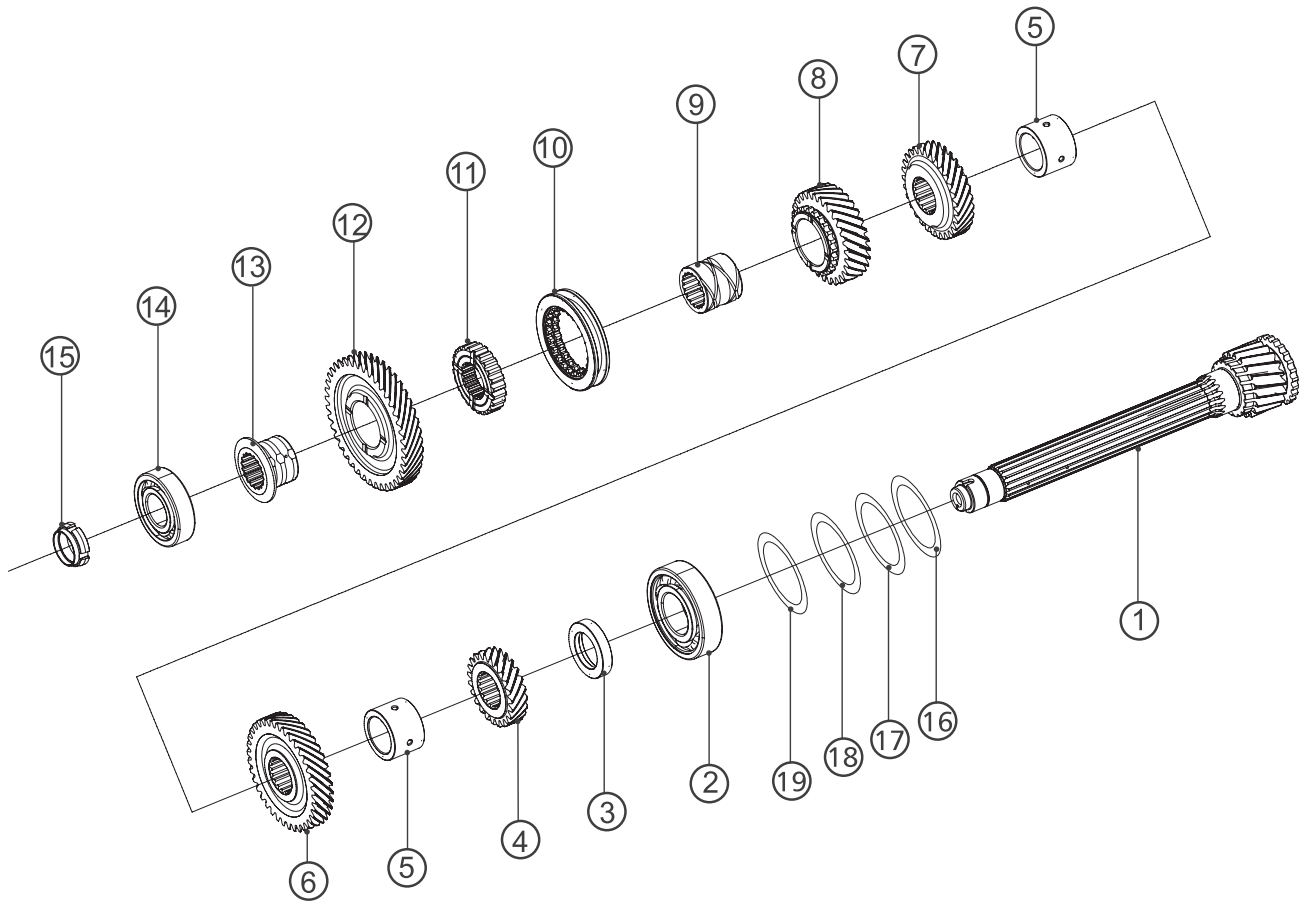


# SPEED TOP SHAFT ASSEMBLY

| M&M Part Number | Ref. | Description of Part                             | Quantity |     | Remarks / Service Bulletin No. |
|-----------------|------|---|----------|-----|--------------------------------|
|                 |      |   | 3DI      | 4DI |                                |
| 006510935V1     | 1    | BUSH SHAFT INTERMEDIATE PTO                     | 1        | 1   |                                |
| 006516216V1     | 2    | BALL BEARING - 6308-Z                           | 1        | 1   |                                |
| 006512853V1     | 3    | SHAFT DRIVING WITH 1ST T18 & REVERSE T18 SPEED  | 1        | 1   |                                |
| 006510801V1     | 4    | BUSH GEAR 3RD DRIVING                           | 1        | 1   |                                |
| 006513945V1     | 5    | GEAR DRIVING 3RD SPEED T32                      | 1        | 1   |                                |
| 006510805V1     | 6    | HUB SPEED & LOW RANGE                           | 2        | 2   |                                |
| 006510807V1     | 7    | COUPLING 2ND 3RD & 4TH SPEED                    | 2        | 2   |                                |
| 006510802V1     | 8    | BUSH GEAR 2ND DRIVING                           | 1        | 1   |                                |
| 006510659V1     | 9    | GEAR DRIVING 2ND SPEED T26                      | 1        | 1   |                                |
| 006513791V1     | 10   | GEAR DRIVING 4TH SPEED T39                      | 1        | 1   |                                |
| 006514706V1     | 11   | BUSH 4TH DRIVEN GEAR                            | 1        | 1   |                                |
| 000016299P04    | 12   | BEARING-6307(35X80X21) SHAFT SPEED DRIVEN FRONT | 1        | 1   |                                |
| 006505490D1     | 13   | SHIM DIA 80-0.5MM                               | A/R      | A/R |                                |
| 006505491D1     | 14   | SHIM DIA 80-0.2MM                               | A/R      | A/R |                                |
| 006505492D1     | 15   | SHIM DIA 80-0.05MM                              | A/R      | A/R |                                |
| 000012353P04    | 16   | CIRCLIP EXTERNAL DIA 35                         | 1        | 1   |                                |
| 000012185P04    | 17   | CIRCLIP EXTERNAL DIA 40                         | 1        | 1   |                                |
| 006515581V1     | 18   | SHIM DRIVING SHAFT 0.2 MM                       | A/R      | A/R |                                |
| 006515580V1     | 18   | SHIM DRIVING SHAFT 0.1 THK                      | A/R      | A/R |                                |
| 006515579V1     | 18   | SHIM DRIVING SHAFT                              | A/R      | A/R |                                |
|                 |      |   |          |     |                                |
|                 |      |   |          |     |                                |
|                 |      |   |          |     |                                |
|                 |      |   |          |     |                                |
|                 |      |   |          |     |                                |
|                 |      |   |          |     |                                |
|                 |      |   |          |     |                                |
|                 |      |   |          |     |                                |
|                 |      |   |          |     |                                |
|                 |      |   |          |     |                                |
|                 |      |   |          |     |                                |
|                 |      |   |          |     |                                |
|                 |      |   |          |     |                                |
|                 |      |   |          |     |                                |
|                 |      |   |          |     |                                |
|                 |      |   |          |     |                                |
|                 |      |   |          |     |                                |
|                 |      |   |          |     |                                |
|                 |      |   |          |     |                                |
|                 |      |   |          |     |                                |
|                 |      |   |          |     |                                |
|                 |      |   |          |     |                                |
|                 |      |   |          |     |                                |
|                 |      |   |          |     |                                |

\* Parts Not Illustrated / ‡ Not Serviceable Separately / ◆ Alternate Part Number / A/R As Required

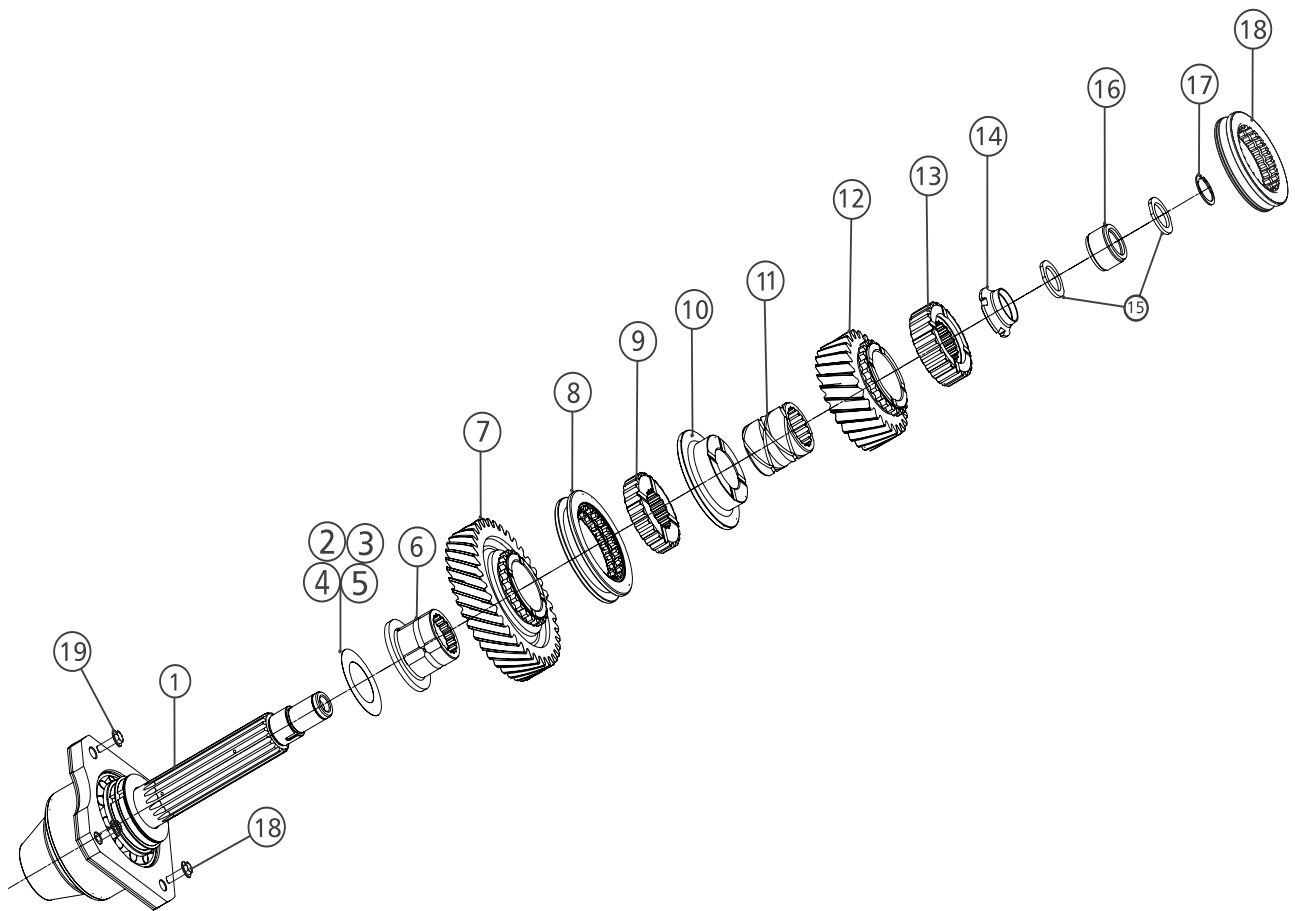
# SPEED BOTTOM SHAFT ASSEMBLY







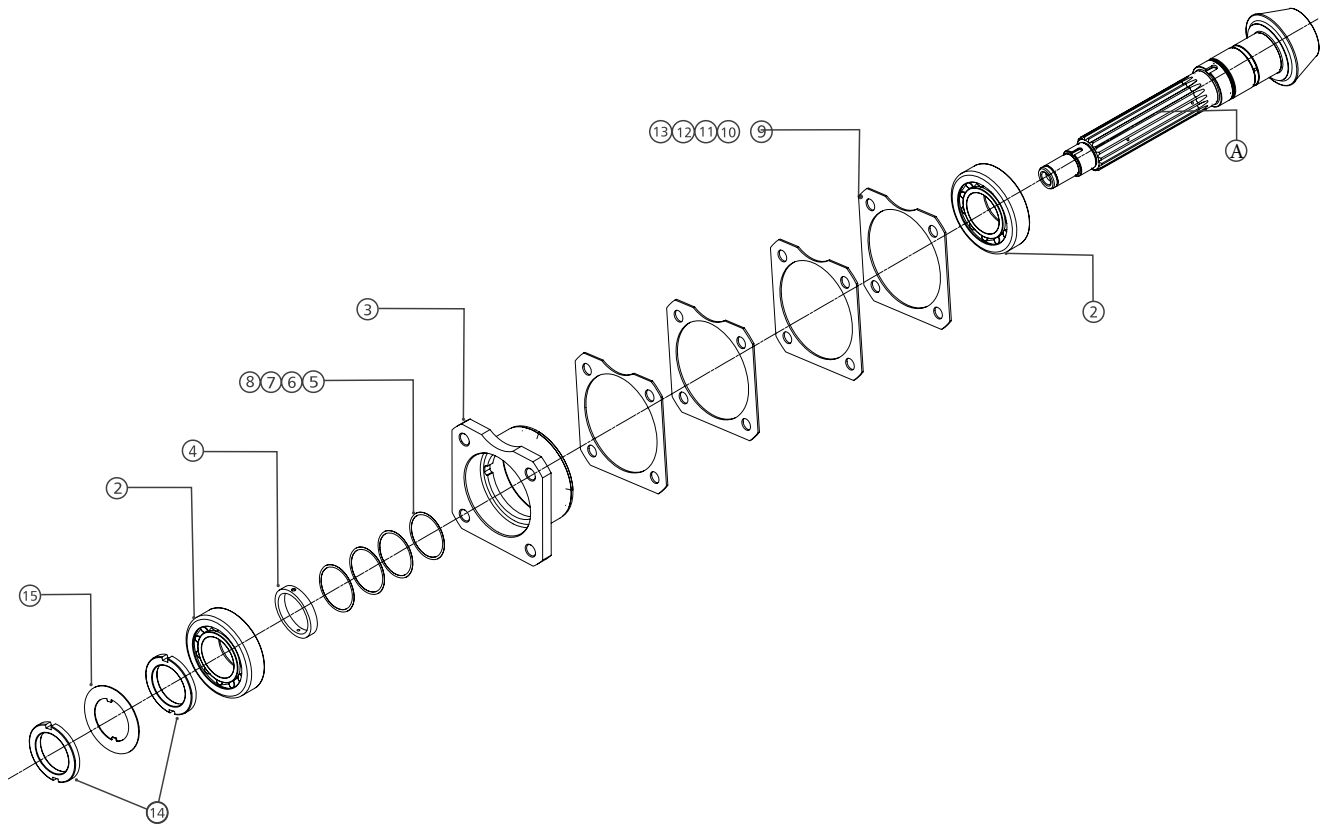
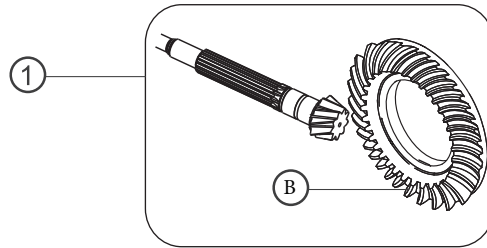
# SPLINE SHAFT SUB-ASSY WITH RANGE GEARS



# SPLINE SHAFT SUB-ASSY WITH RANGE GEARS

| M&M Part Number | Ref. | Description of Part                  | Quantity |     | Remarks / Service Bulletin No. |
|-----------------|------|--------------------------------------|----------|-----|--------------------------------|
|                 |      |                                      | 3DI      | 4DI |                                |
| ‡               | 1    | SPLINE SHAFT SUB ASSEMBLY            | 1        | 1   |                                |
| 006511010V1     | 2    | SHIM 0.1MM SHAFT SPIRAL BEVEL PINION | A/R      | A/R |                                |
| 006511009V1     | 3    | SHIM 0.2MM SHAFT SPIRAL BEVEL PINION | A/R      | A/R |                                |
| 006511008V1     | 4    | SHIM 0.5MM SHAFT SPIRAL BEVEL PINION | A/R      | A/R |                                |
| 006511007V1     | 5    | SHIM 1.0MM SHAFT SPIRAL BEVEL PINION | A/R      | A/R |                                |
| 006510804V1     | 6    | BUSH GEAR LOW DRIVEN                 | 1        | 1   |                                |
| 006510669V1     | 7    | GEAR DRIVEN LOW RANGE T38            | 1        | 1   |                                |
| 006510808V1     | 8    | COUPLING 1ST REVERSE & LOW SPEED     | 1        | 1   |                                |
| 006510805V1     | 9    | HUB SPEED & LOW RANGE                | 1        | 1   |                                |
| 006510810V1     | 10   | SPACER HUB LOW RANGE                 | 1        | 1   |                                |
| 006510803V1     | 11   | BUSH GEAR MEDIUM DRIVEN              | 1        | 1   |                                |
| 006510668V1     | 12   | GEAR DRIVEN MEDIUM RANGE T27         | 1        | 1   |                                |
| 006510806V1     | 13   | HUB MEDIUM & HIGH RANGE              | 1        | 1   |                                |
| 006510939V1     | 14   | LOCK NUT M30X1.5                     | 1        | 1   |                                |
| 006510912V1     | 15   | SPACER NRB SPLINE SHAFT              | 2        | 2   |                                |
| 006511069V1     | 16   | BEARING NEEDLE ROLLER-25X37X23.8     | 1        | 1   |                                |
| 006510938V1     | 17   | V-RING Ø25                           | 1        | 1   |                                |
| 006510809V1     | 18   | COUPLING MEDIUM HIGH SPEED           | 1        | 1   |                                |
| 000013898P04    | 19   | FLANGED BOLT                         | 4        | 4   |                                |
|                 |      |                                      |          |     |                                |
|                 |      |                                      |          |     |                                |
|                 |      |                                      |          |     |                                |
|                 |      |                                      |          |     |                                |
|                 |      |                                      |          |     |                                |
|                 |      |                                      |          |     |                                |
|                 |      |                                      |          |     |                                |
|                 |      |                                      |          |     |                                |
|                 |      |                                      |          |     |                                |
|                 |      |                                      |          |     |                                |
|                 |      |                                      |          |     |                                |
|                 |      |                                      |          |     |                                |
|                 |      |                                      |          |     |                                |
|                 |      |                                      |          |     |                                |
|                 |      |                                      |          |     |                                |
|                 |      |                                      |          |     |                                |
|                 |      |                                      |          |     |                                |
|                 |      |                                      |          |     |                                |
|                 |      |                                      |          |     |                                |
|                 |      |                                      |          |     |                                |
|                 |      |                                      |          |     |                                |
|                 |      |                                      |          |     |                                |
|                 |      |                                      |          |     |                                |
|                 |      |                                      |          |     |                                |
|                 |      |                                      |          |     |                                |
|                 |      |                                      |          |     |                                |
|                 |      |                                      |          |     |                                |
|                 |      |                                      |          |     |                                |
|                 |      |                                      |          |     |                                |
|                 |      |                                      |          |     |                                |
|                 |      |                                      |          |     |                                |
|                 |      |                                      |          |     |                                |
|                 |      |                                      |          |     |                                |
|                 |      |                                      |          |     |                                |

# SPLINE SHAFT SUB ASSEMBLY

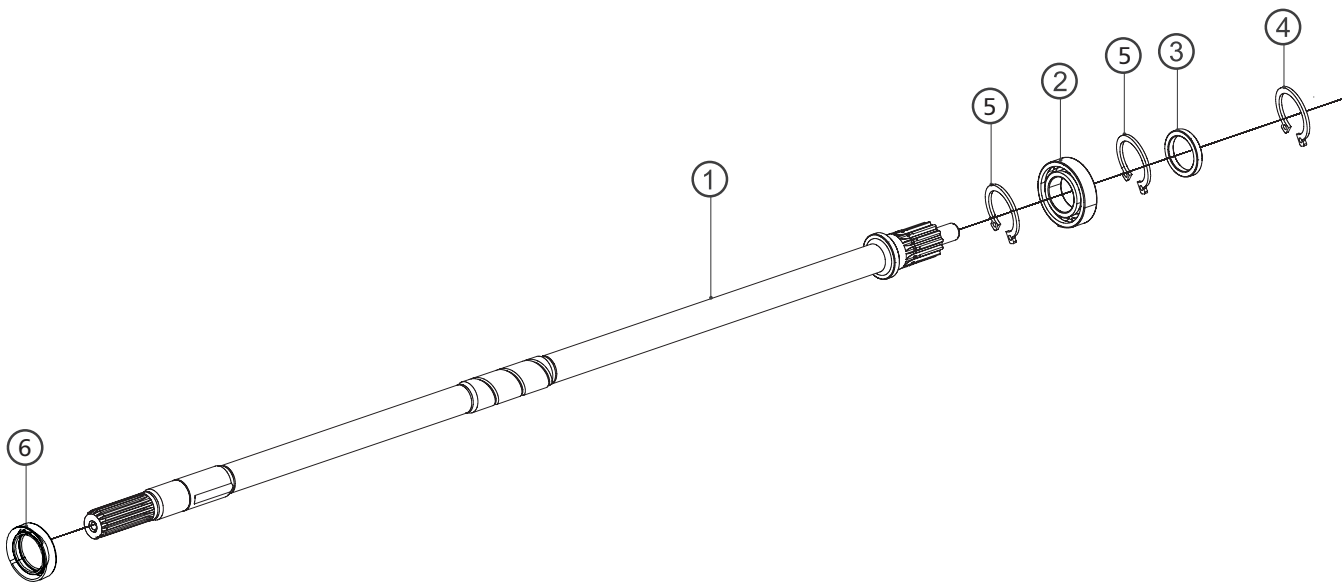


# SPLINE SHAFT SUB ASSEMBLY

| M&M Part Number | Ref. | Description of Part                         | Quantity |     | Remarks / Service Bulletin No. |
|-----------------|------|---|----------|-----|--------------------------------|
|                 |      |   | 3DI      | 4DI |                                |
| 006510524V91    | 1    | SET OF TWO 10T/41T                          | 1        | 1   |                                |
| ‡               | A    | → SPLINE SHAFT SPIRAL PINION INTEGRAL-10T   | 1        | 1   |                                |
| ‡               | B    | → GEAR SPIRAL BEVEL 41T                     | 1        | 1   |                                |
| 005557131R91    | 2    | BEARING TAPER ROLLER(HEAD & TAIL)           | 2        | 2   |                                |
| 006510450V1     | 3    | CAGE BEARING SPLINE SHAFT                   | 1        | 1   |                                |
| 006510496V1     | 4    | SPACER CAGE BEARING SPLINE SHAFT            | 1        | 1   |                                |
| 001232925R1     | 5    | SHIM PRE-LOADING SPLINE SHAFT-0.002"        | A/R      | A/R |                                |
| 003044038R1     | 6    | SHIM PRE-LOADING SPLINE SHAFT-0.003"        | A/R      | A/R |                                |
| 003044039R1     | 7    | SHIM PRE-LOADING SPLINE SHAFT-0.004"        | A/R      | A/R |                                |
| 003044040R1     | 8    | SHIM PRE-LOADING SPLINE SHAFT-0.010"        | A/R      | A/R |                                |
| 006511000V1     | 9    | SHIM CAGE BEARING SPLINE SHAFT-1.0MM        | A/R      | A/R |                                |
| 006511004V1     | 10   | SHIM CAGE BEARING SPLINE SHAFT-0.075MM      | A/R      | A/R |                                |
| 006511003V1     | 11   | SHIM CAGE BEARING SPLINE SHAFT-0.1MM        | A/R      | A/R |                                |
| 006511002V1     | 12   | SHIM CAGE BEARING SPLINE SHAFT-0.20MM       | A/R      | A/R |                                |
| 006511001V1     | 13   | SHIM CAGE BEARING SPLINE SHAFT-0.38MM       | A/R      | A/R |                                |
| 006509970U1     | 14   | LOCKNUT SPLINE SHAFT TAPER ROLLER BEARING   | 2        | 2   |                                |
| 006511013V1     | 15   | LOCKPLATE SHAFT SPIRAL BEVEL PINION LOCKNUT | 1        | 1   |                                |
|                 |      |   |          |     |                                |
|                 |      |   |          |     |                                |
|                 |      |   |          |     |                                |
|                 |      |   |          |     |                                |
|                 |      |   |          |     |                                |
|                 |      |   |          |     |                                |
|                 |      |   |          |     |                                |
|                 |      |   |          |     |                                |
|                 |      |   |          |     |                                |
|                 |      |   |          |     |                                |
|                 |      |   |          |     |                                |
|                 |      |   |          |     |                                |
|                 |      |   |          |     |                                |
|                 |      |   |          |     |                                |
|                 |      |   |          |     |                                |
|                 |      |   |          |     |                                |
|                 |      |   |          |     |                                |
|                 |      |   |          |     |                                |
|                 |      |   |          |     |                                |
|                 |      |   |          |     |                                |
|                 |      |   |          |     |                                |
|                 |      |   |          |     |                                |
|                 |      |   |          |     |                                |
|                 |      |   |          |     |                                |
|                 |      |   |          |     |                                |
|                 |      |   |          |     |                                |
|                 |      |   |          |     |                                |
|                 |      |   |          |     |                                |
|                 |      |   |          |     |                                |
|                 |      |   |          |     |                                |
|                 |      |   |          |     |                                |
|                 |      |   |          |     |                                |
|                 |      |   |          |     |                                |

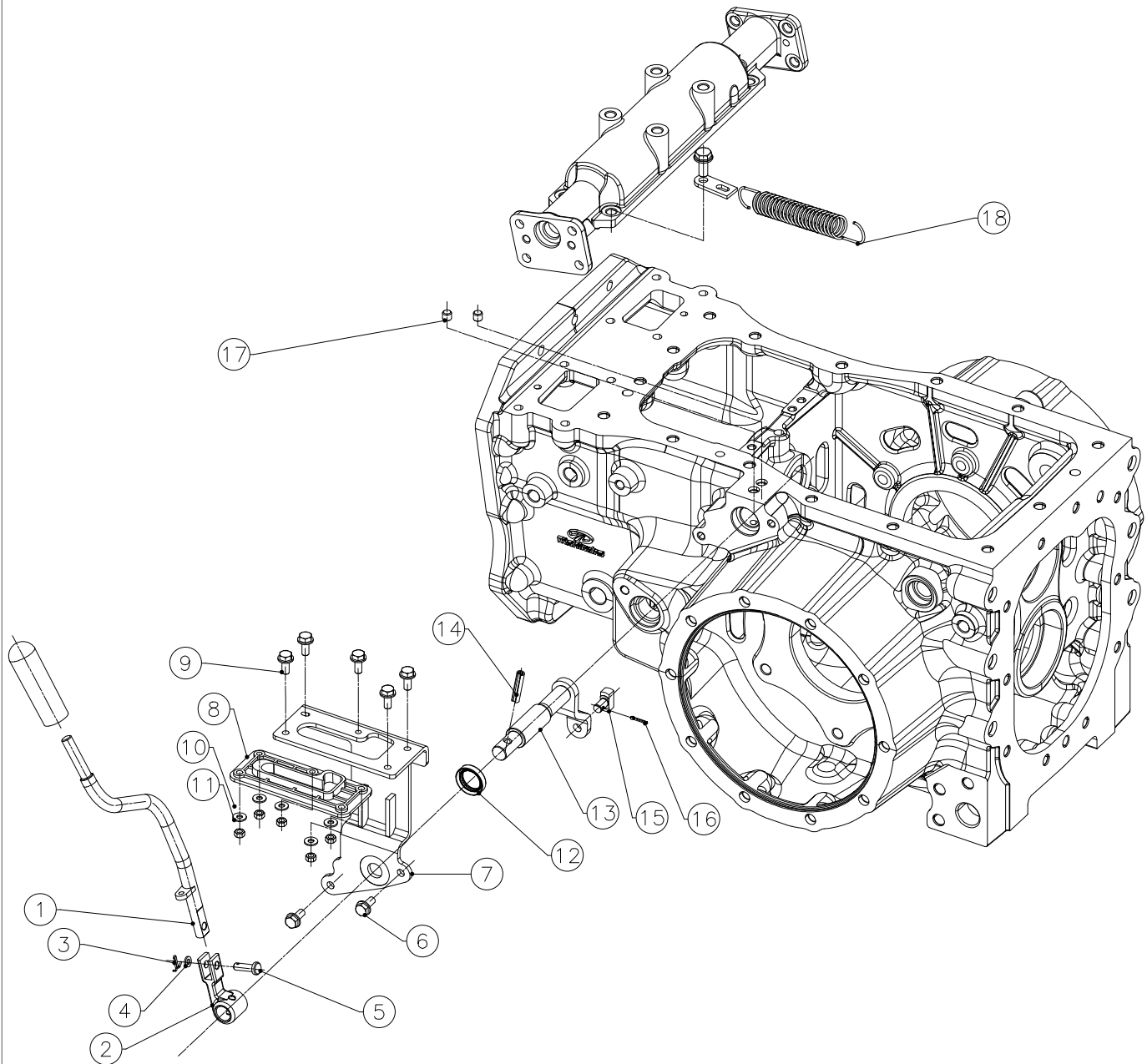
\* Parts Not Illustrated / ‡ Not Serviceable Separately / ♦ Alternate Part Number / A/R As Required

# PTO INTERMEDIATE SHAFT





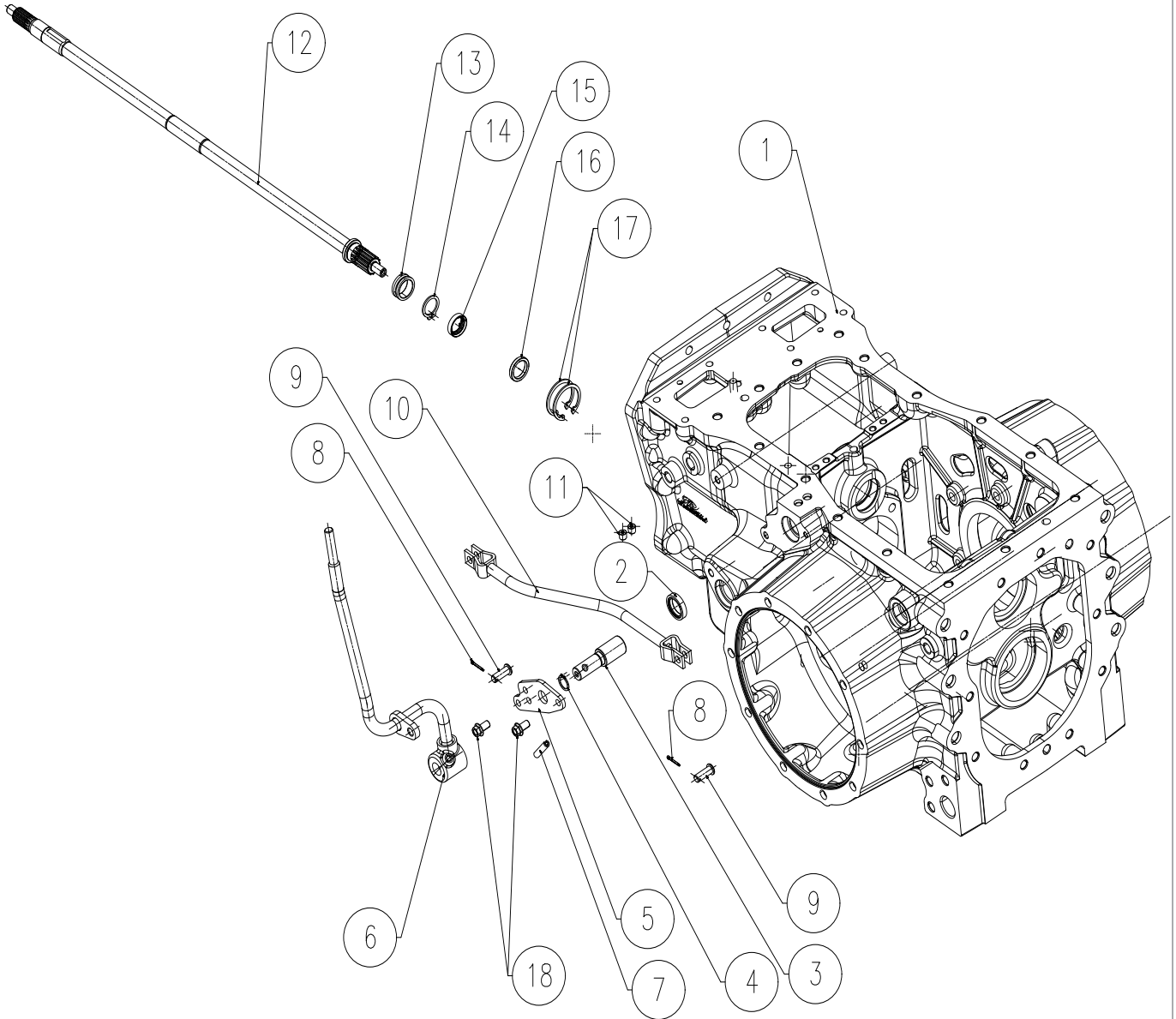
# PTO SHIFTER SUB ASSY





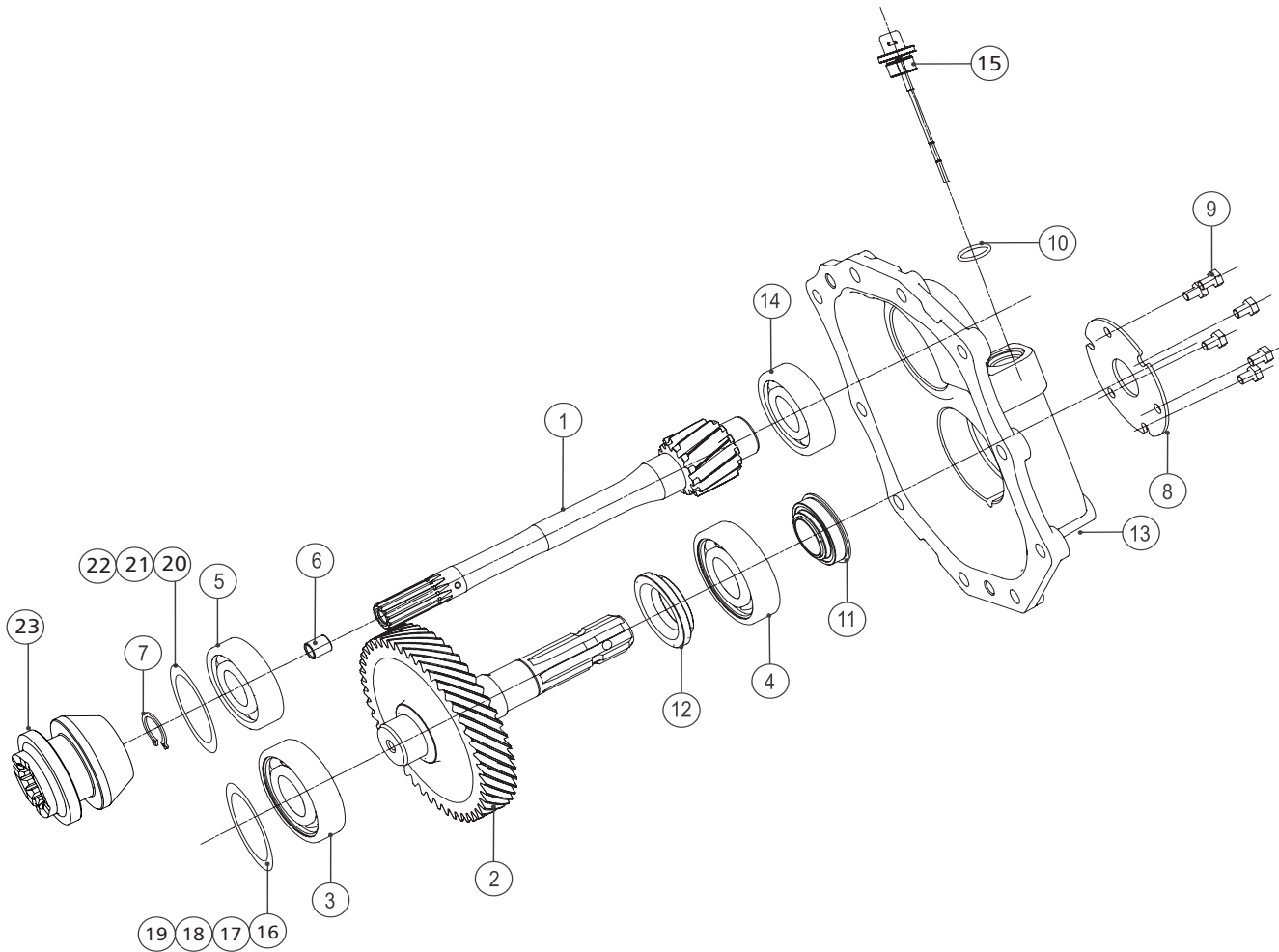


# PTO SHIFTER SUB ASSY RCRPTO





# POWER TAKE OFF SUB ASSEMBLY

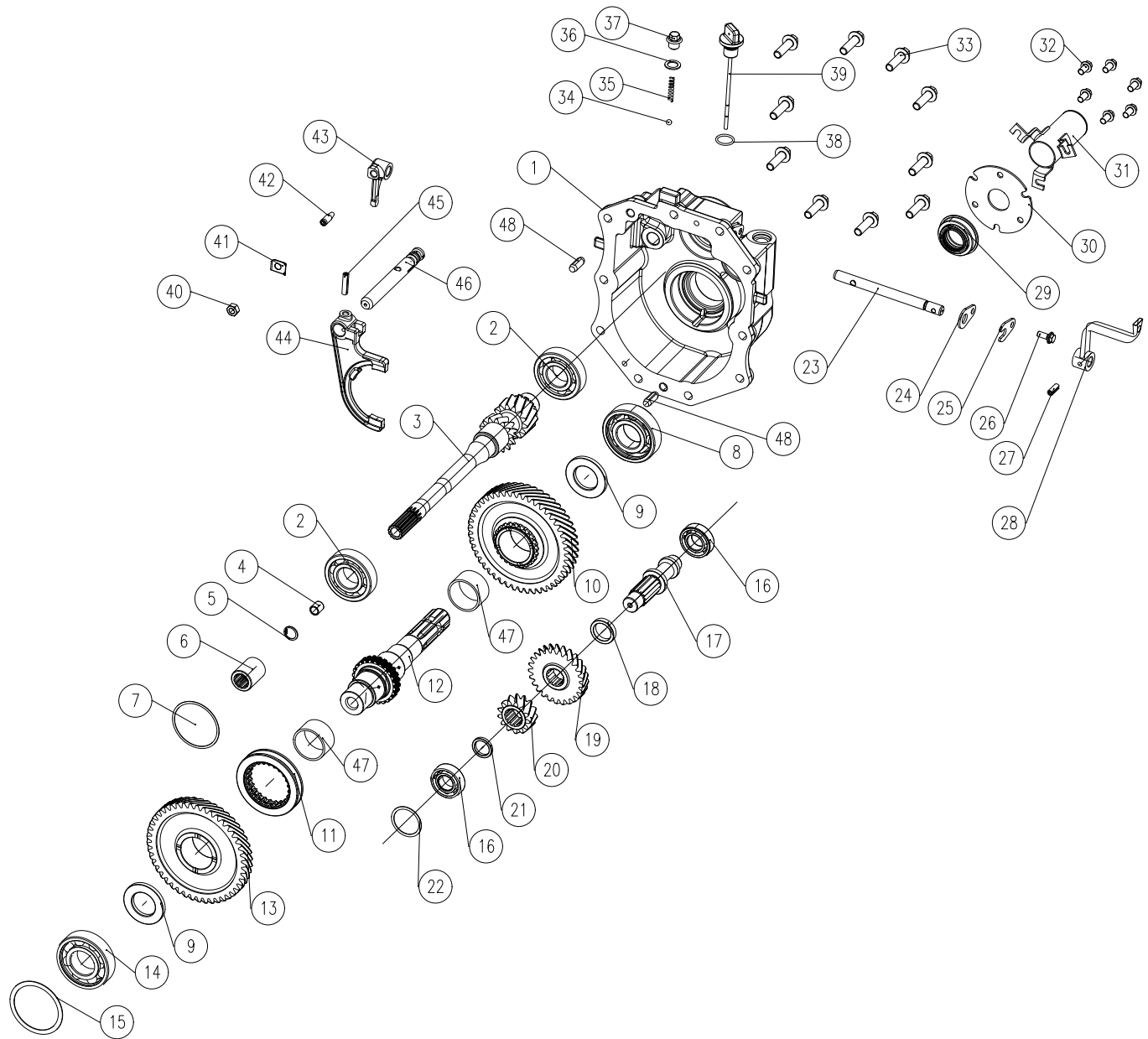


# POWER TAKE OFF SUB ASSEMBLY

| M&M Part Number | Ref. | Description of Part                   | Quantity |     | Remarks / Service Bulletin No. |
|-----------------|------|---------------------------------------|----------|-----|--------------------------------|
|                 |      |                                       | 3DI      | 4DI |                                |
| 006513584V1     | 1    | SHAFT DRIVING PTO T-14                | 1        | 1   |                                |
| 006513585V1     | 2    | SHAFT DRIVEN PTO T47                  | 1        | 1   |                                |
| 006505608D1     | 3    | BALL BEARING 6308(90X40X23)           | 1        | 1   |                                |
| 006511040V1     | 4    | BALL BEARING 6308-Z                   | 1        | 1   |                                |
| 000016299P04    | 5    | BALL BEARING 6307(35X80X21)           | 1        | 1   |                                |
| 006510937V1     | 6    | BUSH PTO DRIVING                      | 1        | 1   |                                |
| 000032097B12    | 7    | CIRCLIP ON LAY SHAFT                  | 1        | 1   |                                |
| 006510999V1     | 8    | COVER PLATE OIL SEAL PTO              | 1        | 1   |                                |
| 000020308E05    | 9    | HEX BOLT M8X12 PTO HOUSING + RETAINER | 6        | 6   |                                |
| 000016656P04    | 10   | O-RING(22.7X2.8)                      | 1        | 1   |                                |
| 006511674V1     | 11   | OIL SEAL FOR REAR PTO DRIVING SHAFT   | 1        | 1   |                                |
| 006510915V1     | 12   | SPACER SHAFT DRIVEN PTO               | 1        | 1   |                                |
| 006510469V1     | 13   | SINGLE PTO HOUSING DHRUV              | 1        | 1   |                                |
| 000016299P04    | 14   | BALL BEARING 6307(35X80X21)           | 1        | 1   |                                |
| 006510692V1     | 15   | DIP STICK                             | 1        | 1   |                                |
| 000012128P04    | 16   | SHIM-0.5MM                            | A/R      | A/R |                                |
| 000012204P04    | 17   | SHIM-0.2MM                            | A/R      | A/R |                                |
| 000012205P04    | 18   | SHIM-0.1MM                            | A/R      | A/R |                                |
| 000012206P04    | 19   | SHIM-1MM                              | A/R      | A/R |                                |
| 006505490D1     | 20   | Shim-DIA 80-0.5 mm                    | A/R      | A/R |                                |
| 006505491D1     | 21   | Shim-DIA 80-0.2 mm                    | A/R      | A/R |                                |
| 006505492D1     | 22   | Shim-DIA 80-0.05 mm                   | A/R      | A/R |                                |
| 006511410V1     | 23   | COUPLING SHIFTER PTO                  | 1        | 1   |                                |
| 006516305V1     | *    | LOCTITE 5188                          | 1        | 1   |                                |
|                 |      |                                       |          |     |                                |
|                 |      |                                       |          |     |                                |
|                 |      |                                       |          |     |                                |
|                 |      |                                       |          |     |                                |
|                 |      |                                       |          |     |                                |
|                 |      |                                       |          |     |                                |
|                 |      |                                       |          |     |                                |
|                 |      |                                       |          |     |                                |
|                 |      |                                       |          |     |                                |
|                 |      |                                       |          |     |                                |
|                 |      |                                       |          |     |                                |
|                 |      |                                       |          |     |                                |
|                 |      |                                       |          |     |                                |
|                 |      |                                       |          |     |                                |
|                 |      |                                       |          |     |                                |
|                 |      |                                       |          |     |                                |
|                 |      |                                       |          |     |                                |
|                 |      |                                       |          |     |                                |
|                 |      |                                       |          |     |                                |
|                 |      |                                       |          |     |                                |
|                 |      |                                       |          |     |                                |
|                 |      |                                       |          |     |                                |
|                 |      |                                       |          |     |                                |
|                 |      |                                       |          |     |                                |
|                 |      |                                       |          |     |                                |

\* Parts Not Illustrated / ‡ Not Serviceable Separately / ◆ Alternate Part Number / A/R As Required

# POWER TAKE OFF SUB ASSEMBLY RCRPTO



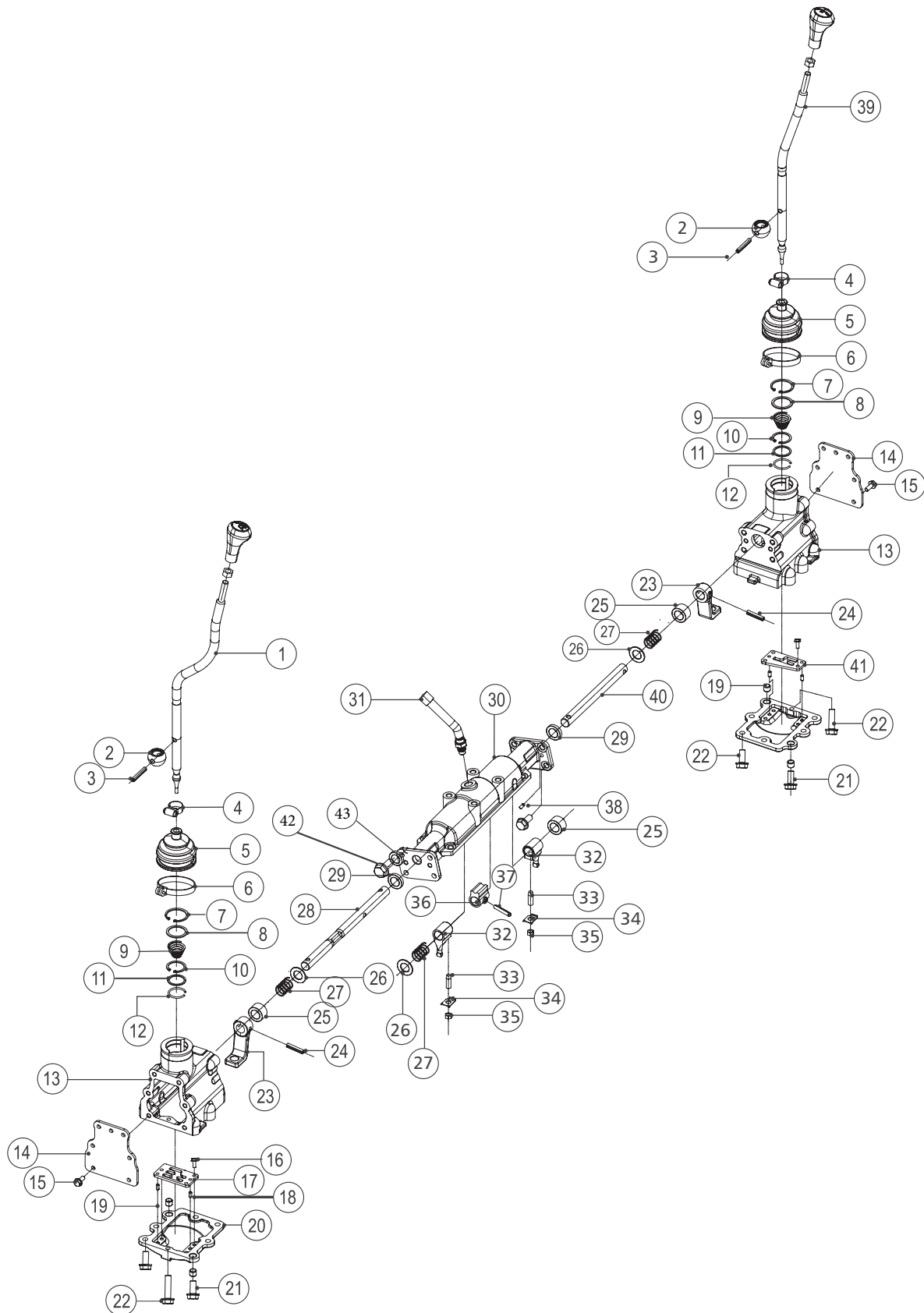
# POWER TAKE OFF SUB ASSEMBLY RCRPTO

| M&M Part Number | Ref. | Description of Part                 | Quantity |     | Remarks / Service Bulletin No. |
|-----------------|------|-------------------------------------|----------|-----|--------------------------------|
|                 |      |                                     | 3DI      | 4DI |                                |
| 006512278V1     | 1    | DUAL PTO HOUSING DHRUV              | 1        | 1   |                                |
| 000016299P04    | 2    | BALL_BEARING_6307(35X80X21)_0000    | 2        | 2   |                                |
| 006512856V1     | 3    | SHAFT DRIVING PTO T17 & T13         | 1        | 1   |                                |
| 006510937V1     | 4    | BUSH PTO DRIVING                    | 1        | 1   |                                |
| 006509197U1     | 5    | INTERNAL CIRCLIP 22                 | 6        | 6   |                                |
| 006508415U1     | 6    | COUPLING PTO INPUT INTERMEDIATE     | 1        | 1   |                                |
| 000012204P04    | 7    | SHIM SPEED DRIVING SHAFT REAR MED.  | A/R      | A/R |                                |
| 000012205P04    | 7    | SHIM SPEED DRIVING SHAFT REAR LIGHT | A/R      | A/R |                                |
| 000012128P04    | 7    | SHIM SPEED DRIVING SHAFT REAR HEAVY | A/R      | A/R |                                |
| 006511040V1     | 8    | BALL BEARING 6308-Z                 | 1        | 1   |                                |
| 006513041V1     | 9    | SPACER IDLER CLUSTER LH             | 2        | 2   |                                |
| 006512858V1     | 10   | GEAR DRIVEN 540 PTO                 | 1        | 1   |                                |
| 006510808V1     | 11   | COUPLING 1ST REVERSE                | 1        | 1   |                                |
| 006512857V1     | 12   | SHAFT DRIVEN PTO                    | 1        | 1   |                                |
| 006513037V1     | 13   | GEAR DRIVEN REV. PTO                | 1        | 1   |                                |
| 006505608D1     | 14   | BALL BEARING BULL SHAFT LH          | 1        | 1   |                                |
| 006513890V1     | 15   | SHIMS IDLER SHAFT BEARING 0.1       | A/R      | A/R |                                |
| 006513891V1     | 15   | SHIMS IDLER SHAFT BEARING 0.15      | A/R      | A/R |                                |
| 006513892V1     | 15   | SHIMS IDLER SHAFT BEARING 0.5       | A/R      | A/R |                                |
| 006505607D1     | 16   | LAYSHAFT BALL BEARING FRONT         | 2        | 2   |                                |
| 006513040V1     | 17   | REV IDLER SHAFT                     | 1        | 1   |                                |
| 006513042V1     | 18   | SPACER IDLER CLUSTER RH             | 1        | 1   |                                |
| 006513550V1     | 19   | GEAR PTO IDLER SHAFT DRIVEN         | 1        | 1   |                                |
| 006513553V1     | 20   | GEAR IDLER 13 TEETH                 | 2        | 2   |                                |
| 006510914V1     | 21   | SPACER SHAFT INTERMEDIATE PTO       | 2        | 2   |                                |
| 006515569V1     | 22   | SHIM PTO DRIVEN SHAFT BEARING       | A/R      | A/R |                                |
| 006513247V1     | 23   | CROSS SHAFT PTOSHIFTING             | 1        | 1   |                                |
| 006513462V1     | 24   | OIL SEAL COVER PLATE CR PTO         | 1        | 1   |                                |
| 006513461V1     | 25   | LOCK PLATE CR PTO                   | 4        | 4   |                                |
| 000020307E05    | 26   | BOLT M8X1.25X20                     | 1        | 1   |                                |
| 006515576V91    | 27   | COMPOND ROLL PIN ( DIA 6 X 22 )     | 1        | 1   |                                |
| 006513248V1     | 28   | CROSS SHAFT LINK PTO SHIFTING       | 1        | 1   |                                |
| 006511674V1     | 29   | OIL SEAL FOR REAR PTO DRIVEN SHAFT  | 1        | 1   |                                |
| 006510999V1     | 30   | COVER PLATE OIL SEAL PTO            | 1        | 1   |                                |
| 006512393V11    | 31   | CAP PTO PROTECTIVE DHRUV            | 1        | 1   |                                |
| 000020308E05    | 32   | BOLT FOR OIL PAN M8X1.0X16          | 6        | 6   |                                |
| 000013898P04    | 33   | BOLT HEXFL M12X1.75X40X10.9         | 10       | 10  |                                |
| 006503662C1     | 34   | BALL STEEL 8MM                      | 1        | 1   |                                |
| 006509853U1     | 35   | SPRING RETENTION SHIFTING SYSTEM    | 1        | 1   |                                |
| 000012488P04    | 36   | COPPER WASHER FOR RETENTION BOLT    | 1        | 1   |                                |
| 006513820V1     | 37   | BOLT SPRING RETENTION               | 1        | 1   |                                |
| 000016656P04    | 38   | O-RING 22.7X2.8                     | 1        | 1   |                                |
| 006513879V1     | 39   | DIPSTICK                            | 1        | 1   |                                |
| 000031251B12    | 40   | NUT HEX M8X1.25X8X8                 | 1        | 1   |                                |
| 006511058V1     | 41   | LOCK PLATE GRUB SCREW               | 1        | 1   |                                |
| 000031249B12    | 42   | SCREW GRUB SK M10X1.5X30XST         | 1        | 1   |                                |
| 006513244V1     | 43   | CAM INNER PTO SHIFTING              | 1        | 1   |                                |



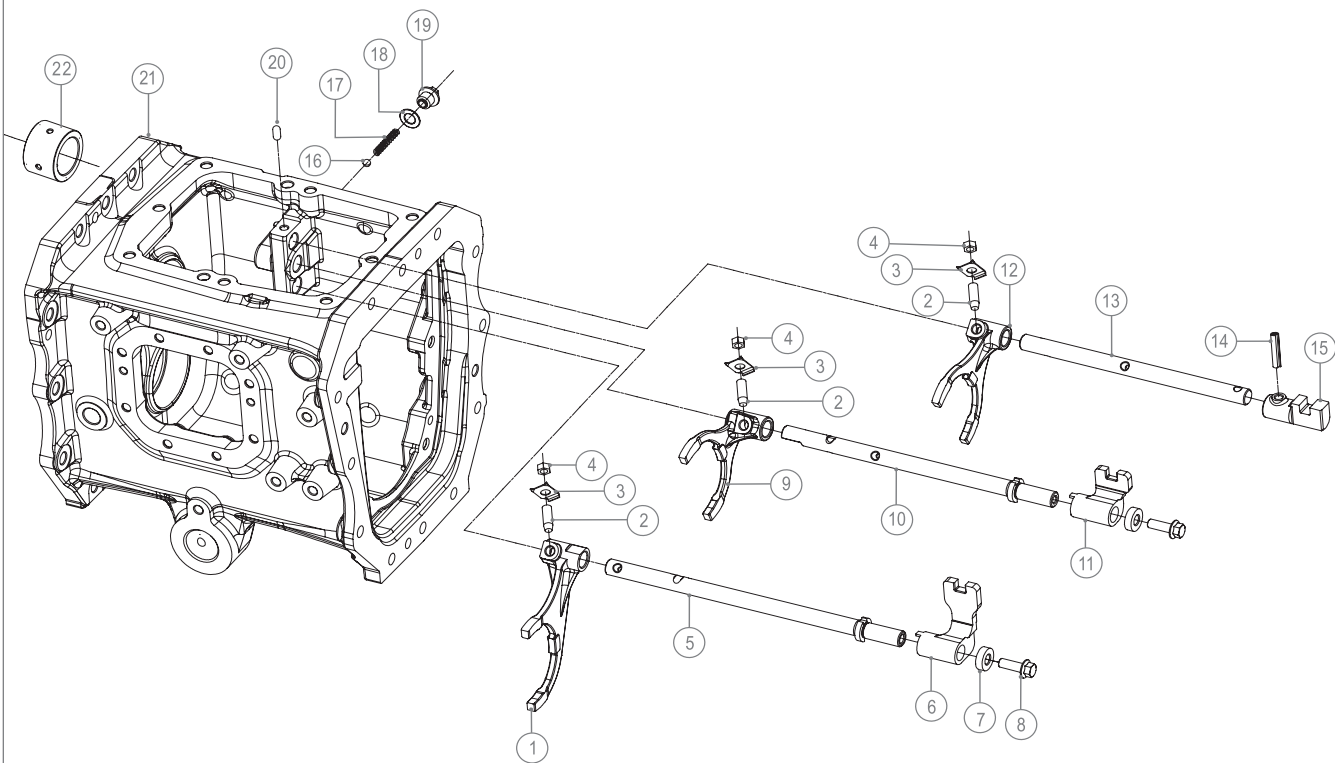


# SHIFTING ASSY



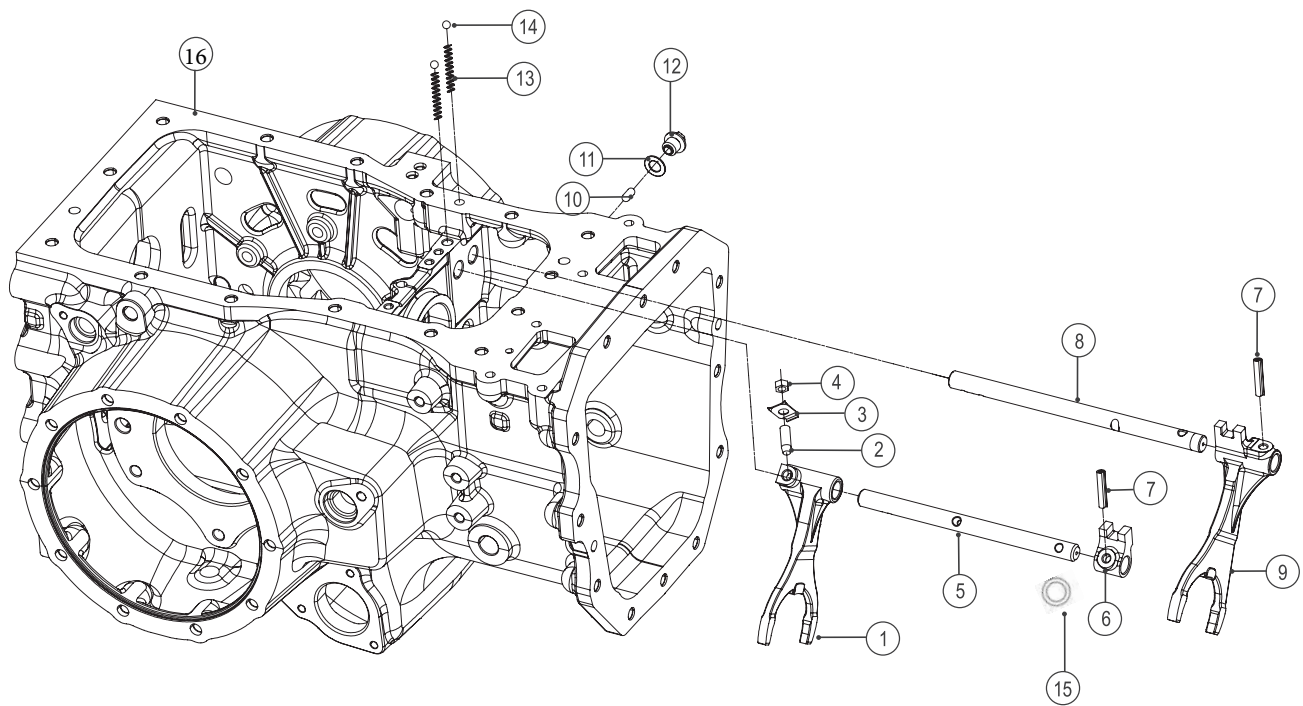
| M&M Part Number | Ref. | Description of Part                      | Quantity |      | Remarks / Service Bulletin No. |
|-----------------|------|--|----------|------|--------------------------------|
|                 |      |  | 3DI      | 4DI  |                                |
| 006510557V1     | 1    | LEVER SPEED SHIFTER                      | 1        | 1    |                                |
| 006510560V1     | 2    | BALL PIVOT GEAR SHIFTER LEVER            | 2        | 2    |                                |
| 006510946V1     | 3    | ROLL PIN 8 X 50                          | 2        | 2    |                                |
| 005556668R91    | 4    | CLAMP HOSE WORM DRIVE                    | 2        | 2    |                                |
| 006510774V1     | 5    | RUBBER BOOT SPEED                        | 2        | 2    |                                |
| 005555585R91    | 6    | HOSE CLIP                                | 1        | 1    |                                |
| 000012188P04    | 7    | CIRCLIP INTERNAL                         | 2        | 2    |                                |
| 006513581V1     | 8    | SPACER STOPPER CONICAL SPRING            | 2        | 2    |                                |
| 006510554V1     | 9    | CONICAL SPRING SHIFTER LEVER             | 2        | 2    |                                |
| 000031023B11    | 10   | CIRCLIP INTERNAL                         | 2        | 2    |                                |
| 006510948V1     | 11   | SPACER WIRE CLIP STOPPER                 | 2        | 2    |                                |
| 006510952V1     | 12   | WIRE CLIP SHIFTER BALL STOPPER           | 2        | 2    |                                |
| 006510925V1     | 13   | BOX SIDE COVER SHIFTER HOUSING           | 2        | 2    |                                |
| 006511097V1     | 14   | COVER PLATE SHIFTER SIDE COVER BOX FRONT | 2        | 2    |                                |
| 000020308E05    | 15   | HEX HEAD FLANGE BOLT M8 X 16             | 12       | 12   |                                |
| 000020797E05    | 16   | M6 X 12 FLANGE BOLT                      | 6        | 6    |                                |
| 006513816V1     | 17   | GUIDE PLATE SPEED                        | 1        | 1    |                                |
| 006513806V1     | 18   | DOWEL PIN 6 X 12                         | 4        | 4    |                                |
| 006511118V1     | 19   | SLEEVE LOCATING COVER PLATE              | 4        | 4    |                                |
| 006511263V1     | 20   | PLATE COVER SHIFTER BOTTOM RH            | 2        | 2    |                                |
| 000020313E05    | 21   | HEX HEAD FLANGE BOLT M10 X 25.5 - 8.8    | 22       | 22   |                                |
| 000020310E05    | 22   | M8 X 35 FLANGE HEADED BOLT               | 2        | 2    |                                |
| 006510552V1     | 23   | CAM LINK OUTER SPEED/RANGE               | 2        | 2    |                                |
| 006511060C91    | 24   | COMPOUND ROLLPIN ASSY                    | 2        | 2    |                                |
| 006511151V1     | 25   | SPACER LONG CROSSGATE                    | 3        | 3    |                                |
| 006512276V1     | 26   | SPACER BIASING SPRING                    | 3        | 3    |                                |
| 006512275V1     | 27   | SPRING BIASING                           | 3        | 3    |                                |
| 006510553V1     | 28   | SHAFT GATE SHIFTER SPEED                 | 1        | 1    |                                |
| 006504206C91    | 29   | OIL SEAL HOUSING SHIFTER TOP             | 2        | 2    |                                |
| 006511261V1     | 30   | HOUSING SHIFTER MAIN TOP                 | 1        | 1    |                                |
| 007702760V91    | 31   | NEUTRAL SWITCH                           | 1        | 1    |                                |
| 006510551V1     | 32   | CAM LINK INNER SPEED/RANGE               | 2        | 2    |                                |
| 000031249B12    | 33   | GRUB SCREW M10 X 1.25                    | 2        | 2    |                                |
| 006511058V1     | 34   | LOCK PLATE FORK                          | 2        | 2    |                                |
| 000031251B12    | 35   | FORK CLAMPING NUT M10 X 1.25             | 2        | 2    |                                |
| 006513786V1     | 36   | CAM INNER NEUTRAL SWITCH                 | 1        | 1    |                                |
| 006514763V91    | 37   | ROLL PIN 6.35 X 17                       | 1        | 1    |                                |
| 000020281E05    | 38   | DOWEL PIN 8 X 18                         | 6        | 6    |                                |
| 006510558V1     | 39   | LEVER RANGE SHIFTER                      | 1        | 1    |                                |
| 006511965V1     | 40   | SHAFT GATE SHIFTER RANGE                 | 1        | 1    |                                |
| 006513817V1     | 41   | GUIDE PLATE RANGE                        | 1        | 1    |                                |
| 006513820V1     | 42   | BOLT SPRING RETENTION                    | 1        | 1    |                                |
| 000012488P04    | 43   | COPPER WASHER                            | 1        | 1    |                                |
| 006507427B1     | *    | LOCTITE 5060                             | 60ml     | 60ml |                                |
| 006515218B1     | *    | LOCTITE 638                              | 3ml      | 3ml  |                                |
|                 |      |  |          |      |                                |
|                 |      |  |          |      |                                |
|                 |      |  |          |      |                                |

# SPEED SHIFTING SUB ASSY



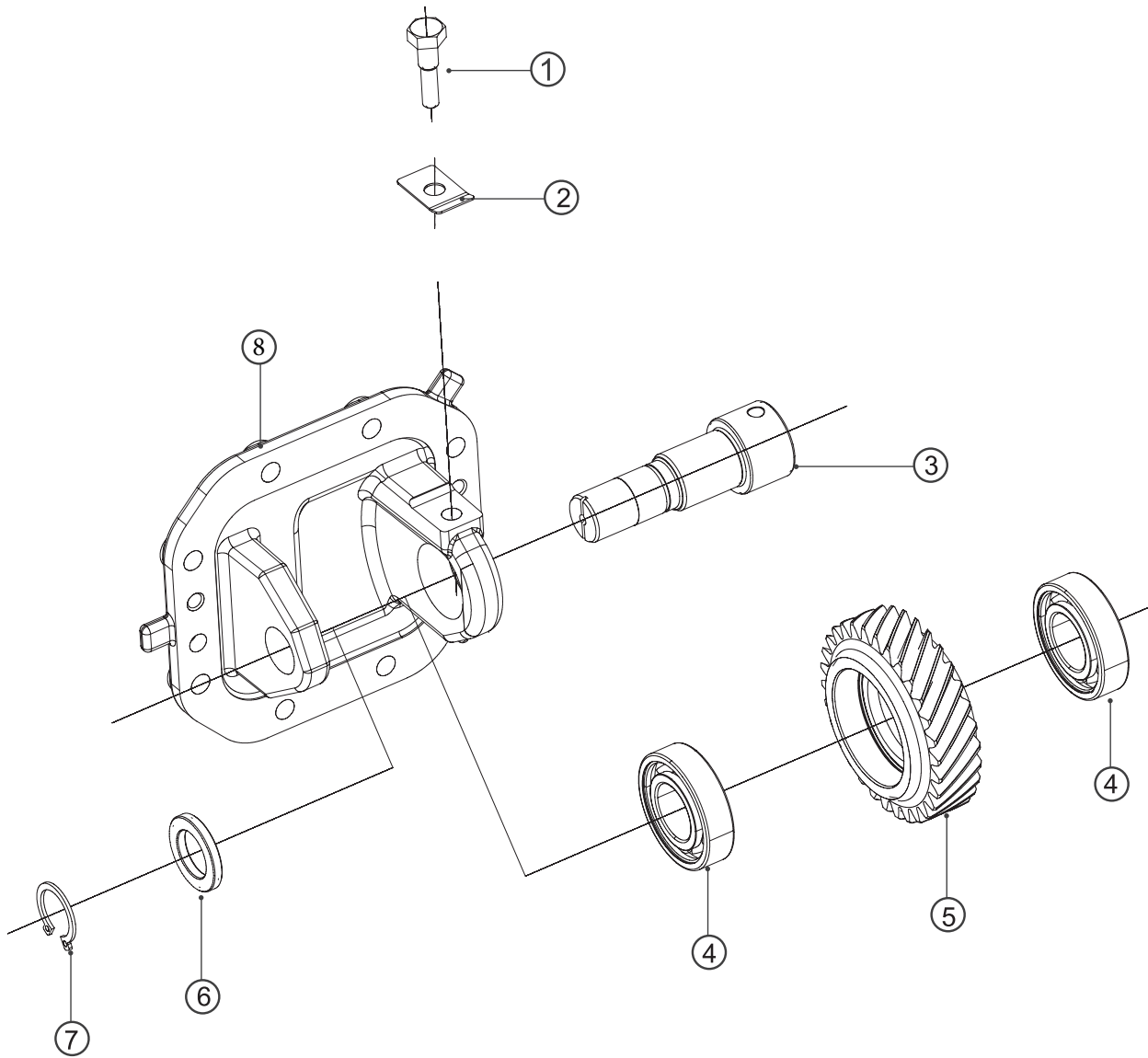


# RANGE SHIFTING SUB ASSY





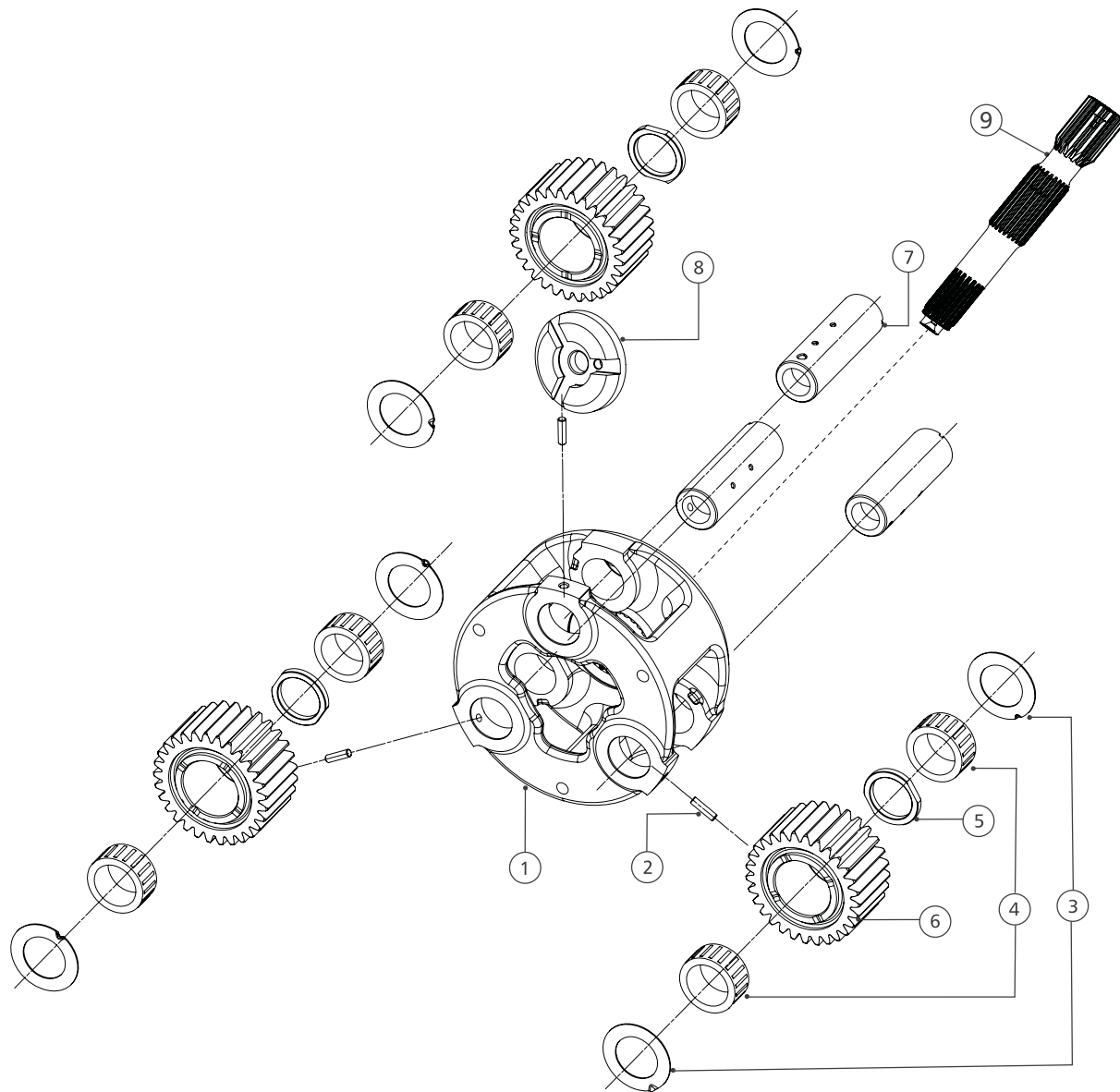
# REVERSE IDLER SHAFT







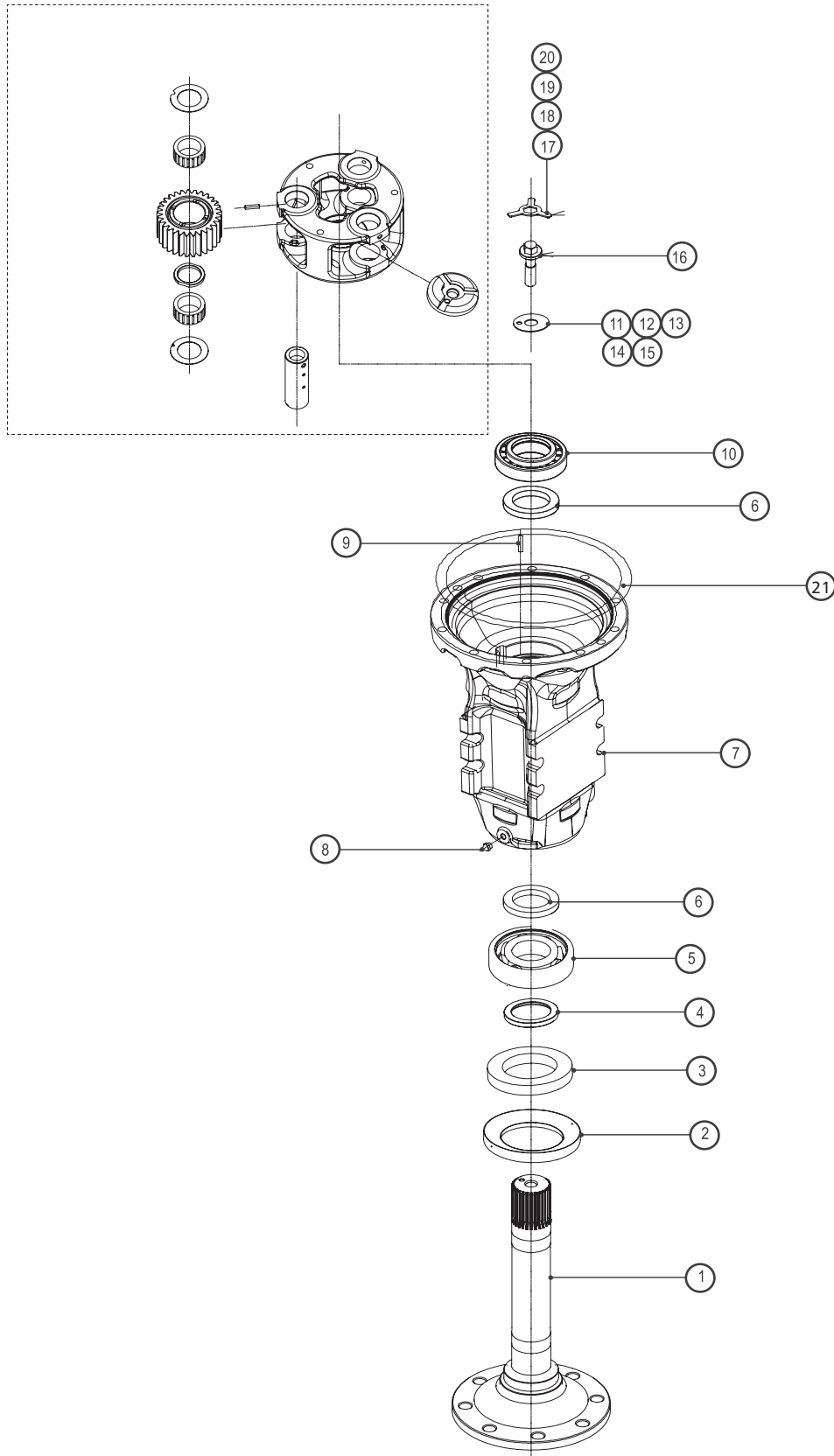
# PLANETARY SUB ASSY



| M&M Part Number | Ref. | Description of Part          | Quantity |     | Remarks / Service Bulletin No. |
|-----------------|------|------------------------------|----------|-----|--------------------------------|
|                 |      |                              | 3DI      | 4DI |                                |
| 006510452V1     | 1    | CARRIER PLANETARY            | 2        | 2   |                                |
| 000012428P04    | 2    | ROLL PIN                     | 6        | 6   |                                |
| 006510504V1     | 3    | WASHER THRUST PLANET GEAR    | 12       | 12  |                                |
| 006510519V1     | 4    | BEARING NEEDLE ROLLER        | 12       | 12  |                                |
| 006510526V1     | 5    | SPACER NRB PLANETARY         | 6        | 6   |                                |
| 006510499V1     | 6    | GEAR PLANET T29              | 6        | 6   |                                |
| 006510503V1     | 7    | PIN PLANETARY                | 6        | 6   |                                |
| 006510508V1     | 8    | WASHER PRE LOADING REAR AXLE | 2        | 2   |                                |
| 006510497V1     | 9    | SHAFT SUN GEAR 14 T          | 2        | 2   |                                |
|                 |      |                              |          |     |                                |
|                 |      |                              |          |     |                                |
|                 |      |                              |          |     |                                |
|                 |      |                              |          |     |                                |
|                 |      |                              |          |     |                                |
|                 |      |                              |          |     |                                |
|                 |      |                              |          |     |                                |
|                 |      |                              |          |     |                                |
|                 |      |                              |          |     |                                |
|                 |      |                              |          |     |                                |
|                 |      |                              |          |     |                                |
|                 |      |                              |          |     |                                |
|                 |      |                              |          |     |                                |
|                 |      |                              |          |     |                                |
|                 |      |                              |          |     |                                |
|                 |      |                              |          |     |                                |
|                 |      |                              |          |     |                                |
|                 |      |                              |          |     |                                |
|                 |      |                              |          |     |                                |
|                 |      |                              |          |     |                                |
|                 |      |                              |          |     |                                |
|                 |      |                              |          |     |                                |
|                 |      |                              |          |     |                                |
|                 |      |                              |          |     |                                |
|                 |      |                              |          |     |                                |
|                 |      |                              |          |     |                                |
|                 |      |                              |          |     |                                |
|                 |      |                              |          |     |                                |
|                 |      |                              |          |     |                                |
|                 |      |                              |          |     |                                |
|                 |      |                              |          |     |                                |

\* Parts Not Illustrated / ‡ Not Serviceable Separately / ♦ Alternate Part Number / A/R As Required

# RAC SUB ASSY WITH PLANETARY

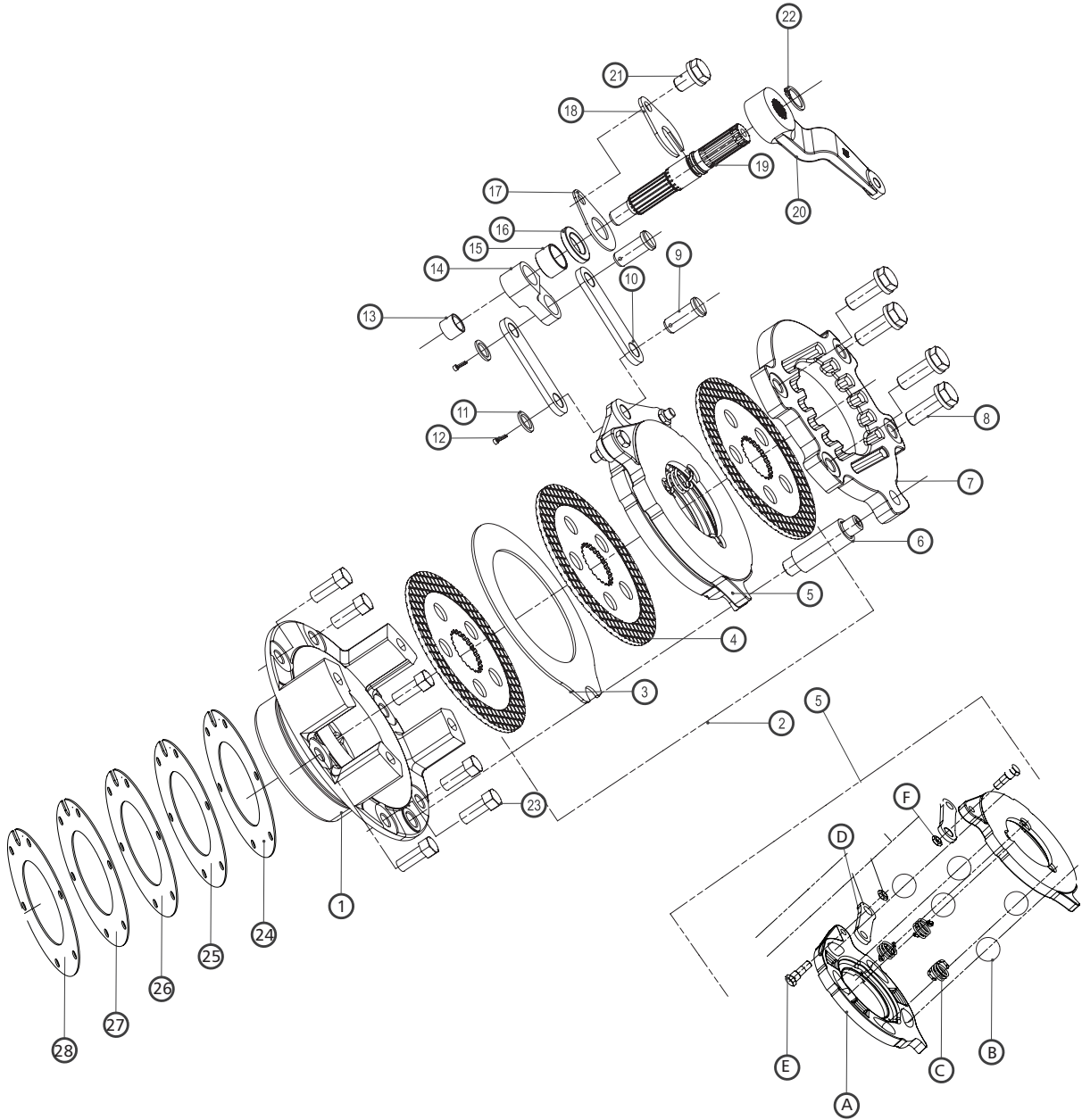


# RAC SUB ASSY WITH PLANETARY

| M&M Part Number | Ref. | Description of Part                  | Quantity |     | Remarks / Service Bulletin No. |
|-----------------|------|--------------------------------------|----------|-----|--------------------------------|
|                 |      |                                      | 3DI      | 4DI |                                |
| 006510500V1     | 1    | SHAFT REAR AXLE                      | 2        | 2   |                                |
| 006510904V1     | 2    | COVER PROTECTIVE WHEEL-END OIL SEAL  | 2        | 2   |                                |
| 006511673V1     | 3    | OIL SEAL REAR AXLE WHEEL END         | 2        | 2   |                                |
| 006510512V1     | 4    | SPACER REAR AXLE OUTER BEARING       | 2        | 2   |                                |
| 001099467R91    | 5    | BEARING BALL REAR AXLE               | 2        | 2   |                                |
| 006511672V1     | 6    | OIL SEAL REAR AXLE INNER             | 4        | 4   |                                |
| 006510449V1     | 7    | REAR AXLE CARRIER                    | 2        | 2   |                                |
| 006515065V91    | 8    | GREASE NIPPLE                        | 4        | 4   |                                |
| 005555814R1     | 9    | ROLL PIN LOCKING REAR AXLE           | 2        | 2   |                                |
| 006511676V1     | 10   | BEARING CYLINDRICAL ROLLER REAR AXLE | 2        | 2   |                                |
| 006511017V1     | 11   | SHIM_REAR_AXLE-1.0MM                 | A/R      | A/R |                                |
| 006511018V1     | 12   | SHIM_REAR_AXLE-0.4MM                 | A/R      | A/R |                                |
| 006511019V1     | 13   | SHIM_REAR_AXLE-0.125MM               | A/R      | A/R |                                |
| 006511020V1     | 14   | SHIM_REAR_AXLE-0.1MM                 | A/R      | A/R |                                |
| 006511021V1     | 15   | SHIM_REAR_AXLE-0.5MM                 | A/R      | A/R |                                |
| 006510507V1     | 16   | BOLT LOCKING REAR AXLE               | 2        | 2   |                                |
| 006510792V1     | 17   | LOCK PLATE REAR AXLE-0 DEGREE        | A/R      | A/R |                                |
| 006510794V1     | 18   | LOCK PLATE REAR AXLE-10 DEGREE       | A/R      | A/R |                                |
| 006510796V1     | 19   | LOCK PLATE REAR AXLE-20 DEGREE       | A/R      | A/R |                                |
| 006510798V1     | 20   | LOCK PLATE REAR AXLE-30 DEGREE       | A/R      | A/R |                                |
| 006510511V1     | 21   | O-RING PLANETARY                     | 2        | 2   |                                |
| 006516305V1     | *    | LOCTITE 5188                         |          |     |                                |
|                 |      |                                      |          |     |                                |
|                 |      |                                      |          |     |                                |
|                 |      |                                      |          |     |                                |
|                 |      |                                      |          |     |                                |
|                 |      |                                      |          |     |                                |
|                 |      |                                      |          |     |                                |
|                 |      |                                      |          |     |                                |
|                 |      |                                      |          |     |                                |
|                 |      |                                      |          |     |                                |
|                 |      |                                      |          |     |                                |
|                 |      |                                      |          |     |                                |
|                 |      |                                      |          |     |                                |
|                 |      |                                      |          |     |                                |
|                 |      |                                      |          |     |                                |
|                 |      |                                      |          |     |                                |
|                 |      |                                      |          |     |                                |
|                 |      |                                      |          |     |                                |
|                 |      |                                      |          |     |                                |
|                 |      |                                      |          |     |                                |
|                 |      |                                      |          |     |                                |
|                 |      |                                      |          |     |                                |

\* Parts Not Illustrated / ‡ Not Serviceable Separately / ◆ Alternate Part Number / A/R As Required

# BRAKE ASSEMBLY

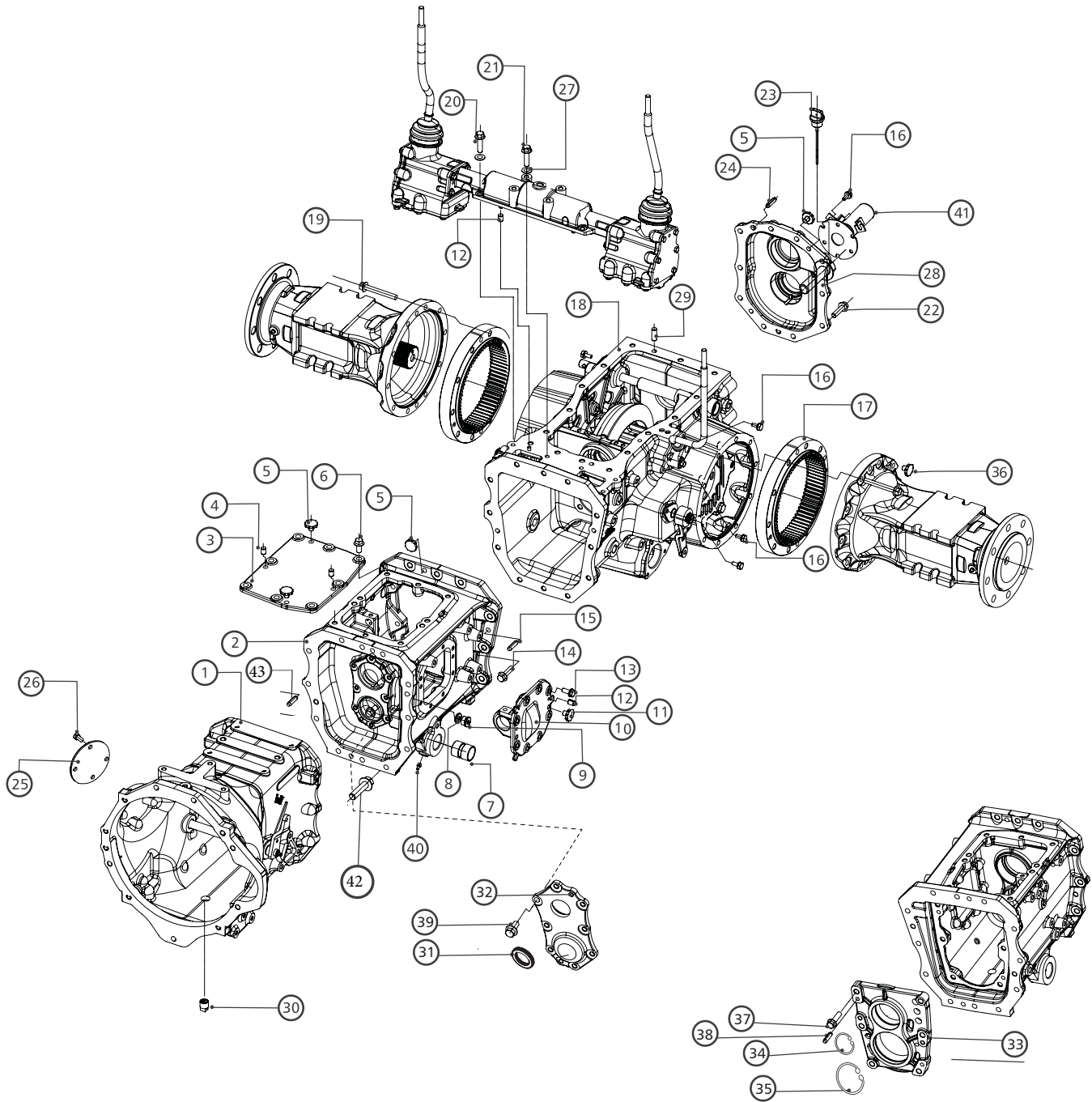


# BRAKE ASSEMBLY

| M&M Part Number | Ref. | Description of Part              | Quantity |     | Remarks / Service Bulletin No. |
|-----------------|------|----------------------------------|----------|-----|--------------------------------|
|                 |      |                                  | 3DI      | 4DI |                                |
| 006511967V1     | 1    | BRAKE CUM BRG. CAGE RH           | 1        | 1   |                                |
| 006511966V1     | 1    | BRAKE CUM BRG. CAGE LH           | 1        | 1   |                                |
| 006514205V91    | 2    | BRAKE ASSY                       | 2        | 2   |                                |
| 006510461V1     | 3    | └─> INTERMEDIATE DISC            | 2        | 2   |                                |
| 006514202V1     | 4    | └─> FRICTION DISC                | 6        | 6   |                                |
| 006510468V91    | 5    | └─> ACTUATING DISC ASSEMBLY      | 2        | 2   |                                |
| 006510466V1     | A    | └─> ACTUATING DISC MACHINING     | 2        | 2   |                                |
| 006503349D1     | B    | └─> BALL                         | 5        | 5   |                                |
| 006503348D1     | C    | └─> SPRING                       | 3        | 3   |                                |
| 006503351D1     | D    | └─> LINK                         | 2        | 2   |                                |
| 006510463V1     | E    | └─> PIVOT PIN                    | 2        | 2   |                                |
| 006503350D1     | F    | └─> LOCK NUT                     | 2        | 2   |                                |
| 006510704V1     | 6    | PIN ABUTMENT BRAKE               | 2        | 2   |                                |
| 006510451V1     | 7    | PLATE BRAKE                      | 2        | 2   |                                |
| 000013900P04    | 8    | BOLT HEX. HD. M12X45 FLANGED     | 8        | 8   |                                |
| 000016136P04    | 9    | PIN FOR BRAKE                    | 4        | 4   |                                |
| 006510980V1     | 10   | TIE STRAP                        | 4        | 4   |                                |
| 000016137P04    | 11   | WASHER                           | 4        | 4   |                                |
| 000013894P04    | 12   | COTTER PIN                       | 4        | 4   |                                |
| 000013257P04    | 13   | DRAFT LEVER BUSHING              | 2        | 2   |                                |
| 006502748D1     | 14   | LEVER BRAKE (INSIDE)             | 2        | 2   |                                |
| 006503155D1     | 15   | BUSH METALLIC                    | 2        | 2   |                                |
| 000016141P04    | 16   | OIL SEAL 24X38X6                 | 2        | 2   |                                |
| 006511144V1     | 17   | WASHER BRAKE LOCKING             | 2        | 2   |                                |
| 006511145V1     | 18   | LOCKPLATE FOR BRAKE SHAFT        | 2        | 2   |                                |
| 006513530V1     | 19   | SHAFT BRAKE(MISSING SPLINE)      | 2        | 2   |                                |
| 006513549V1     | 20   | BRAKE LEVER(OUTSIDE)             | 2        | 2   |                                |
| 000020324E05    | 21   | BOLT FLANGED HEX HEAD M10X16     | 2        | 2   |                                |
| 006500927C1     | 22   | CIRCLIP                          | 2        | 2   |                                |
| 000012506P04    | 23   | HEX BOLT M12x30                  | 12       | 12  |                                |
| 006511023V1     | 24   | SHIM BRAKE CUM BRG.CAGE-1.0 mm   | A/R      | A/R |                                |
| 006511024V1     | 25   | SHIM BRAKE CUM BRG.CAGE-0.4 mm   | A/R      | A/R |                                |
| 006511025V1     | 26   | SHIM BRAKE CUM BRG.CAGE-0.2 mm   | A/R      | A/R |                                |
| 006511026V1     | 27   | SHIM BRAKE CUM BRG.CAGE-0.1 mm   | A/R      | A/R |                                |
| 006511027V1     | 28   | SHIM BRAKE CUM BRG.CAGE-0.075 mm | A/R      | A/R |                                |
| 006514898V1     | 28   | SHIM BRAKE CUM BRG.CAGE-0.05mm   | A/R      | A/R |                                |
|                 |      |                                  |          |     |                                |
|                 |      |                                  |          |     |                                |
|                 |      |                                  |          |     |                                |
|                 |      |                                  |          |     |                                |
|                 |      |                                  |          |     |                                |
|                 |      |                                  |          |     |                                |
|                 |      |                                  |          |     |                                |
|                 |      |                                  |          |     |                                |
|                 |      |                                  |          |     |                                |
|                 |      |                                  |          |     |                                |
|                 |      |                                  |          |     |                                |
|                 |      |                                  |          |     |                                |
|                 |      |                                  |          |     |                                |
|                 |      |                                  |          |     |                                |
|                 |      |                                  |          |     |                                |
|                 |      |                                  |          |     |                                |
|                 |      |                                  |          |     |                                |
|                 |      |                                  |          |     |                                |
|                 |      |                                  |          |     |                                |
|                 |      |                                  |          |     |                                |
|                 |      |                                  |          |     |                                |
|                 |      |                                  |          |     |                                |

\* Parts Not Illustrated / ‡ Not Serviceable Separately / ◆ Alternate Part Number / A/R As Required

# STRUCTURAL ASSY



| M&M Part Number | Ref. | Description of Part  | Quantity |     | Remarks / Service Bulletin No. |
|-----------------|------|--|----------|-----|--------------------------------|
|                 |      |  | 3DI      | 4DI |                                |
| 006510367V1     | 1    | HOUSING SINGLE CLUTCH  | 1        | 1   |                                |
| 006510487V1     | 2    | SPEED HOUSING  | 1        | 1   |                                |
| 006510992V1     | 3    | PLATE TOP SPEED HOUSING  | 1        | 1   |                                |
| 006512292V1     | 4    | DOWEL PIN TOP PLATE SPEED HOUSING, DIA 12X17   | 2        | 2   |                                |
| 006513634V1     | 5    | PLUG for M12 Hole+PTO housing+speed housing+Rear Housing   | 6        | 6   |                                |
| 000012506P04    | 6    | HEX BOLT M 12 X 30   | 8        | 8   |                                |
| 006514376V1     | 7    | BUSH SINTERED SPEED HOUSING  | 4        | 4   |                                |
| E007204866D1    | 8    | DOWTY WASHER M20 ,HYDRAULIC  | 1        | 1   |                                |
| 007206406C1     | 9    | PLUG M20X1.5 ,HYDRAULIC  | 1        | 1   |                                |
| 006510433V1     | 10   | BLOCK REVERSE IDLER  | 1        | 1   |                                |
| 006513635V1     | 11   | PLUG FOR JUMPING BOLTS M10   | 2        | 2   |                                |
| 000020281E05    | 12   | PIN DOWEL 8.015X18.000 SPEED HOUSING TO REVERSE IDLER + SHIFTER TOP HSG  | 4        | 4   |                                |
| 000020313E05    | 13   | FLANGED BOLT M10X25,SPEED HOUSING TO REVERSE IDLER HOUSING   | 8        | 8   |                                |
| 000013898P04    | 14   | FLANGE BOLT M12X40,REAR HOUSING TO SPEED HOUSING   | 12       | 12  |                                |
| 006512401V1     | 15   | DOWEL PIN DIA 12X40,REAR HOUSING TO SPEED HOUSING  | 2        | 2   |                                |
| 000020308E05    | 16   | BOLT HEXFL M8X1.25X17.5X8.8 REAR HOUSING+PTO SHIFTER LEVER PLATE+DIFFLOCK PLATE+PTO HOUSING TO PROTECTION COVER AND OIL SEAL MTG BKT | 9        | 9   |                                |
| 006510498V1     | 17   | INTERNAL GEAR-73T  | 2        | 2   |                                |
| 006510430V1     | 18   | REAR HOUSING   | 1        | 1   |                                |
| 006506440D1     | 19   | BOLT HEXFL M12X1.75X82X10.9 ,REAR HOUSING+RAC+RING GEAR  | 20       | 20  |                                |
| 000012248P04    | 20   | BOLT HEX M10X30,REAR HOUSING TO SHIFTER MAIN TOP HOUSING   | 4        | 4   |                                |
| 005553022R1     | 21   | BOLT HEX M10X75,REAR HOUSING TO SHIFTER MAIN TOP HOUSING   | 4        | 4   |                                |
| 000013898P04    | 22   | FLANGE BOLT M12X40 REAR HOUSING TO PTO HOUSING   | 10       | 10  |                                |
| 006510692V1     | 23   | DIPSTICK   | 1        | 1   |                                |
| 000016182P04    | 24   | DOWEL PIN REAR HOUSING TO PTO HOUSING  | 2        | 2   |                                |
| 006510694V1     | 25   | COVER PLATE CLUTCH HOUSING   | 1        | 1   |                                |
| 000020324E05    | 26   | WINDOW PLATE MOUNTING BOLT   | 4        | 4   |                                |
| 005555988R1     | 27   | SPRING WASHER M10,REAR HOUSING TO SHIFTER MAIN TOP HOUSING   | 8        | 8   |                                |
| 006510469V1     | 28   | PTO HOUSING SINGLE SPEED   | 1        | 1   |                                |
| 007208068C1     | 29   | PIN DOWEL DIA 12X45 REAR HOUSING TO VTU HOUSING  | 2        | 2   |                                |
| 005556422R2     | 30   | PLUG MAGNATIC DRAIN 1/2-14 NPTF,REAR HOUSING+SPEED HOUSING+CLUTCH HOUSING  | 5        | 5   |                                |
| 006511671V1     | 31   | OIL SEAL FOR FRONT MAIN DRIVE SHAFT  | 1        | 1   |                                |
| 006510905V1     | 32   | RETAINER FRONT-SPEED HOUSING   | 1        | 1   |                                |
| 006510533V1     | 33   | PLATE INTERMEDIATE   | 1        | 1   |                                |
| 006505629D1     | 34   | CIRCLIP INTERNAL DIA.80 HEAVY SERIES   | 1        | 1   |                                |
| 000012164P04    | 35   | CIRCLIP INTERNAL DIA.100 HEAVY SERIES  | 1        | 1   |                                |
| 006513636V1     | 36   | PLASTIC PLUG   | 4        | 4   |                                |
| 000013900P04    | 37   | FLANGE BOLTM12 X 45  | 6        | 6   |                                |
| 006512402V1     | 38   | DOWEL PLATE INTERMEDIATE   | 2        | 2   |                                |
| 000022271RD     | 39   | BOLT M8 X 22   | 8        | 8   |                                |
| 000012871P04    | 40   | GREASE NIPPLE  | 2        | 2   |                                |
| 006512393V11    | 41   | CAP PTO SAFETY   | 1        | 1   |                                |

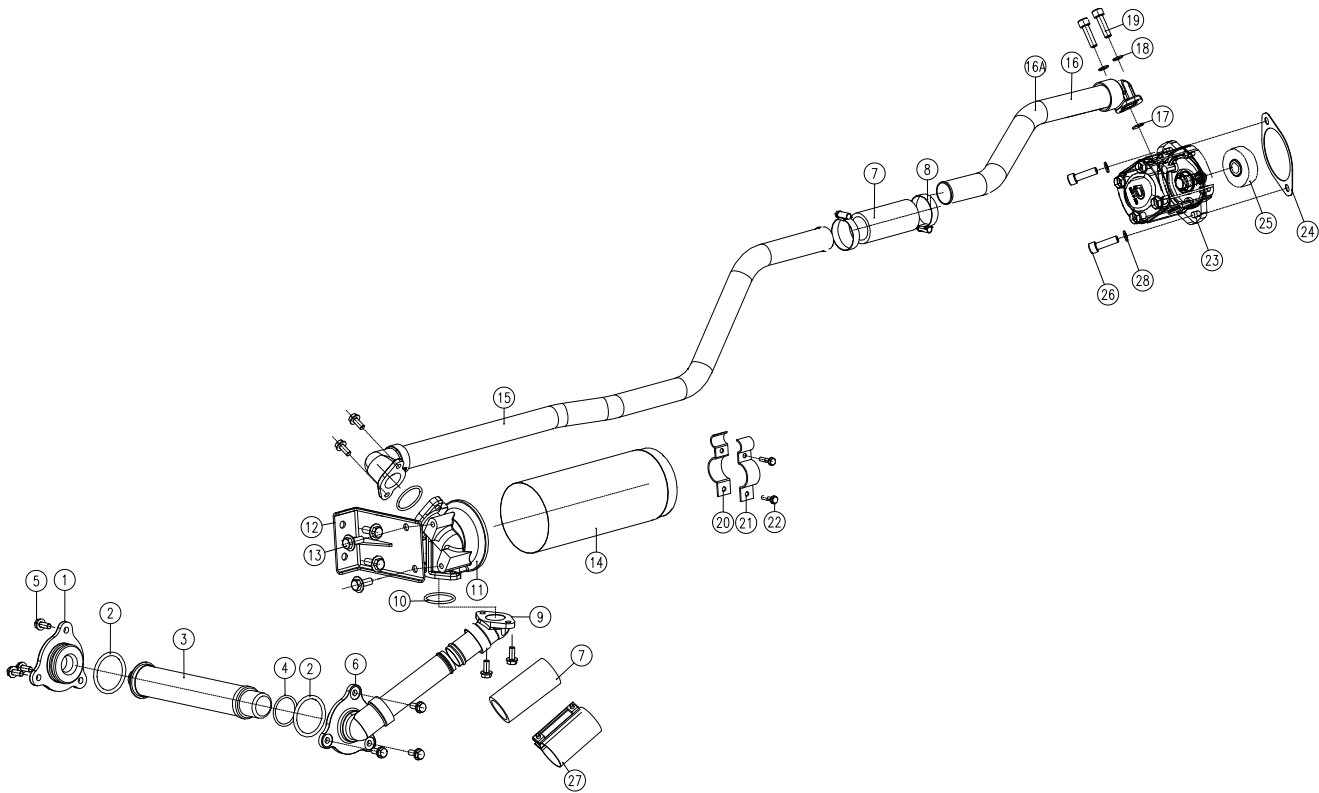
\* Parts Not Illustrated / ‡ Not Serviceable Separately / ◆ Alternate Part Number / A/R As Required





# HYDRAULICS

# SUCTION PIPE ASSEMBLY - MECHANICAL

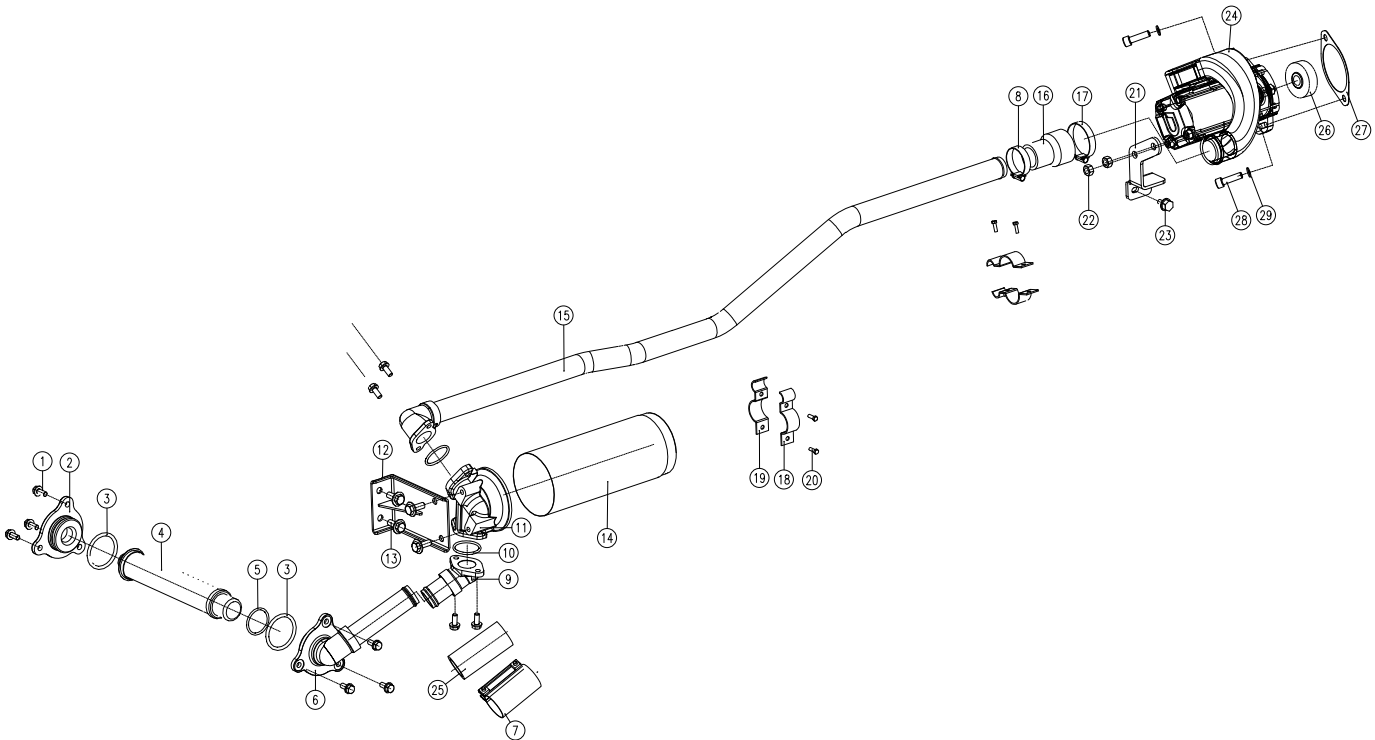


# SUCTION PIPE ASSEMBLY- MECHANICAL

| M&M Part Number | Ref. | Description of Part                       | Quantity |     | Remarks / Service Bulletin No. |
|-----------------|------|---|----------|-----|--------------------------------|
|                 |      |   | 3DI      | 4DI |                                |
| 007206498V1     | 1    | STRAINER END COVER                        | 1        | 1   |                                |
| 007205787C1     | 2    | "O" RING 53.57X3.53                       | 2        | 2   |                                |
| 000013701P04    | 3    | HYD SUCTION STRAINER - PHASE II           | 1        | 1   |                                |
| 000013765P04    | 4    | O RING DIA 20.0 X 2.5                     | 1        | 1   |                                |
| 000020307E05    | 5    | BOLT HEXFL M8X1.25X20X8.8                 | 10       | 10  |                                |
| 007206652V11    | 6    | SUCTION PIPE STRAINER TO HOSE ASSLY       | 1        | 1   |                                |
| 007201869D2     | 7    | SUCTION HOSE                              | 2        | 2   |                                |
| 006004797F1     | 8    | CLIP FOR RADIATOR(GREEN PASSIVATED        | 4        | 4   |                                |
| 007206646V11    | 9    | PIPE ASSLY FILTER INLET                   | 1        | 1   |                                |
| 007202179D1     | 10   | O-RING H-3 SUCTION FILTER HEAD (34.2 X 2) | 2        | 2   |                                |
| 007206475V91    | 11   | FILTER HEAD ASSY                          | 1        | 1   |                                |
| 007206095V1     | 12   | FILTER MOUNTING BRACKET                   | 1        | 1   |                                |
| 000020565E05    | 13   | BOLT HEXFL M10X1.5X20.5X10.9              | 4        | 4   |                                |
| 000013427P04    | 14   | CANISTER PUROLATOR                        | 1        | 1   |                                |
| 007206647V11    | 15   | FILTER OUTLET PIPE ASSLY-3DI              | 1        | 1   |                                |
| 007206648V11    | 16   | PUMP INLET PIPE ASSLY-3DI                 | 1        | -   |                                |
| 007206612V11    | 16   | PUMP INLET PIPE ASSLY-4DI                 | -        | 1   |                                |
| 000051187D01    | 17   | O-RING -SUCTION MANIFOLD -HYD.PUMP        | 1        | 1   |                                |
| 000934309R1     | 18   | WASHER SPRING L M8X15X2                   | 2        | 2   |                                |
| 000016466P04    | 19   | SCREW HEX HD M8 X 1.25 X 20 X 12.9        | 2        | 2   |                                |
| 007202037D1     | 20   | CLAMP PLATE FOR 35 & 16 OD TUBE           | 1        | 1   |                                |
| 007202036D1     | 21   | PIPE CLAMP FOR 35 & 16 OD TUBE            | 1        | 1   |                                |
| 005555975R1     | 22   | BOLT HEX M5X0.8X15X10.9                   | 3        | 3   |                                |
| 007206502V91    | 23   | SINGLE PUMP                               | 1        | 1   |                                |
| 007208276V91    | *    | SINGLE PUMP SEAL KIT                      | 1        | 1   |                                |
| E007204062D1    | 24   | GASKET HYDRAULIC PUMP COMPACT             | 1        | 1   |                                |
| 007201531B1     | 25   | PINION HYDRAULIC PUMP STEEL               | 1        | 1   |                                |
| 006000453H1     | 26   | BOLT M10 X 55                             | 2        | 2   |                                |
| 007208092V91    | 27   | SUCTION HOSE CLIP                         | 1        | 1   |                                |
| 000022273RD     | 28   | WASHER SPRING L M10X18X2.2                | 2        | 2   |                                |
|                 |      |   |          |     |                                |
|                 |      |   |          |     |                                |
|                 |      |   |          |     |                                |
|                 |      |   |          |     |                                |
|                 |      |   |          |     |                                |
|                 |      |   |          |     |                                |
|                 |      |   |          |     |                                |
|                 |      |   |          |     |                                |
|                 |      |   |          |     |                                |
|                 |      |   |          |     |                                |
|                 |      |   |          |     |                                |
|                 |      |   |          |     |                                |
|                 |      |   |          |     |                                |
|                 |      |   |          |     |                                |
|                 |      |   |          |     |                                |
|                 |      |   |          |     |                                |
|                 |      |   |          |     |                                |
|                 |      |   |          |     |                                |
|                 |      |   |          |     |                                |
|                 |      |   |          |     |                                |
|                 |      |   |          |     |                                |
|                 |      |   |          |     |                                |
|                 |      |   |          |     |                                |
|                 |      |   |          |     |                                |
|                 |      |   |          |     |                                |

\* Parts Not Illustrated / ‡ Not Serviceable Separately / ♦ Alternate Part Number / A/R As Required

# SUCTION PIPE ASSEMBLY - POWER STEERING

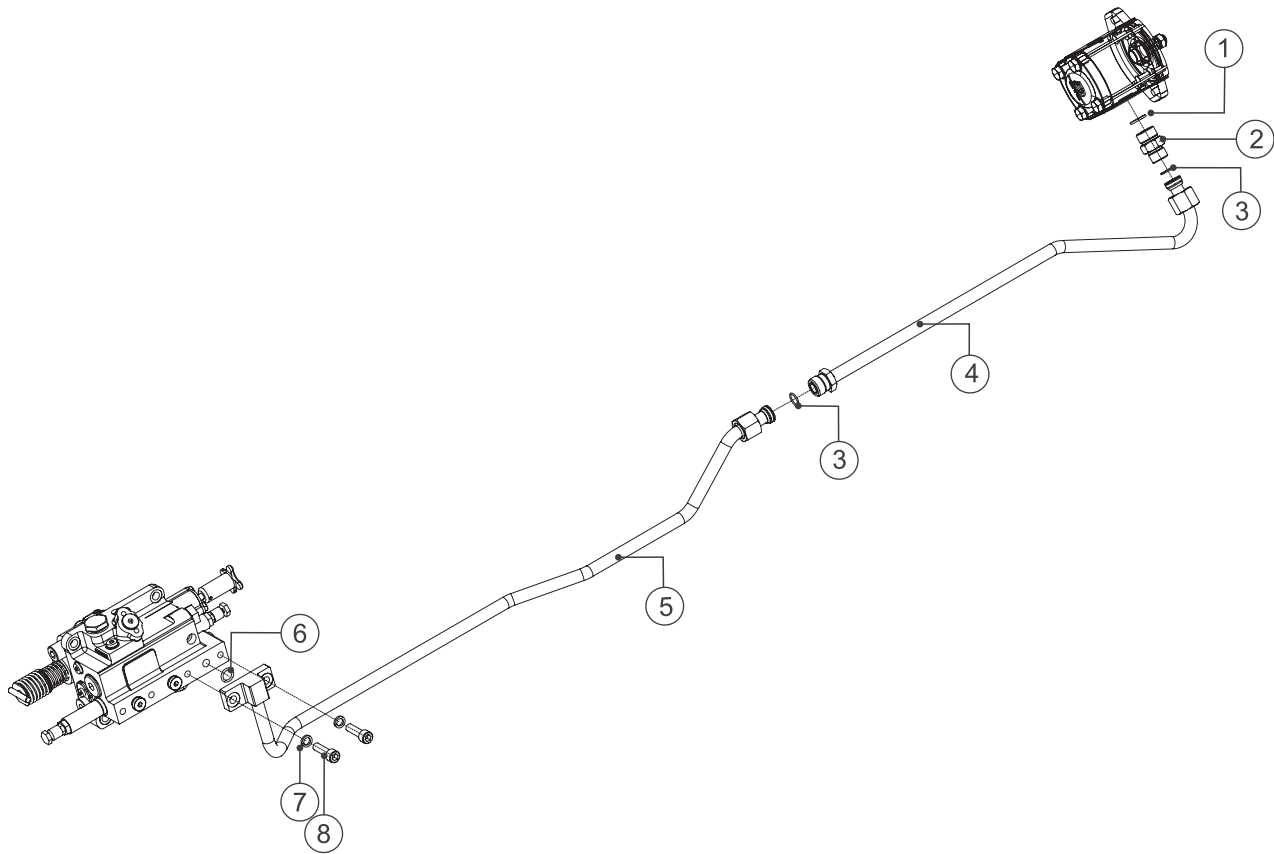


# SUCTION PIPE ASSEMBLY - POWER STEERING

| M&M Part Number | Ref. | Description of Part                       | Quantity |     | Remarks / Service Bulletin No. |
|-----------------|------|---|----------|-----|--------------------------------|
|                 |      |   | 3DI      | 4DI |                                |
| 000020307E05    | 1    | BOLT HEXFL M8X1.25X20X8.8                 | 10       | 10  |                                |
| 007206498V1     | 2    | STRAINER END COVER                        | 1        | 1   |                                |
| 007205787C1     | 3    | "O" RING 53.57X3.53                       | 2        | 2   |                                |
| 000013701P04    | 4    | HYD SUCTION STRAINER - PHASE II           | 1        | 1   |                                |
| 000013765P04    | 5    | O RING DIA 20.0 X 2.5                     | 1        | 1   |                                |
| 007206652V11    | 6    | SUCTION PIPE STRAINER TO HOSE ASSLY       | 1        | 1   |                                |
| 007208092V91    | 7    | SUCTION HOSE CLIP                         | 1        | 1   |                                |
| 006004797F1     | 8    | CLIP FOR RADIATOR(GREEN PASSIVATED        | 1        | 1   |                                |
| 007206646V11    | 9    | PIPE ASSLY FILTER INLET                   | 1        | 1   |                                |
| 007202179D1     | 10   | O-RING H-3 SUCTION FILTER HEAD (34.2 X 2) | 2        | 2   |                                |
| 007206475V91    | 11   | FILTER HEAD ASSY                          | 1        | 1   |                                |
| 007206095V1     | 12   | FILTER MOUNTING BRACKET                   | 1        | 1   |                                |
| 000020565E05    | 13   | BOLT HEXFL M10X1.5X20.5X10.9              | 4        | 4   |                                |
| 007202702C1     | 14   | CANISTER PUROLATOR10MICRON                | 1        | 1   |                                |
| 007206677V11    | 15   | TANDEM PUMP INLET ASSLY-4DI               | -        | 1   |                                |
| 007206676V11    | 15   | TANDEM PUMP INLET ASSLY-3DI               | 1        | -   |                                |
| 007205665B1     | 16   | HOSE REDUCER 50 - 35MM                    | 1        | 1   |                                |
| 007201583D1     | 17   | WORM CLIP 60                              | 1        | 2   |                                |
| 007202037D1     | 18   | CLAMP PLATE FOR 35 & 16 OD TUBE           | 2        | 2   |                                |
| 007202036D1     | 19   | PIPE CLAMP FOR 35 & 16 OD TUBE            | 2        | 2   |                                |
| 005555975R1     | 20   | BOLT HEX M5X0.8X15X10.9                   | 4        | 4   |                                |
| 007206743V1     | 21   | PUMP MOUNTING BRACKET - 3DI               | 1        | 1   |                                |
| 005554365R1     | 22   | NUT HEX M10X1.5X8.0X6.6                   | 2        | 2   |                                |
| 000020307E05    | 23   | BOLT HEXFL M8X1.25X20X8.8                 | 1        | 1   |                                |
| 007206506V91    | 24   | TANDEM PUMP (12 +8CC/REV)                 | 1        | 1   |                                |
| 007208275V91    | *    | TANDEM PUMP SEAL KIT                      | 1        | 1   |                                |
| 007201869D2     | 25   | SUCTION HOSE                              | 1        | 1   |                                |
| 007201531B1     | 26   | PINION HYDRAULIC PUMP STEEL               | 1        | 1   |                                |
| E007204062D1    | 27   | GASKET HYDRAULIC PUMP COMPACT             | 1        | 1   |                                |
| 006000453H1     | 28   | BOLT M10X55                               | 2        | 2   |                                |
| 000022273RD     | 29   | WASHER SPRING L M10X18X2.2                | 1        | 1   |                                |
|                 |      |   |          |     |                                |
|                 |      |   |          |     |                                |
|                 |      |   |          |     |                                |
|                 |      |   |          |     |                                |
|                 |      |   |          |     |                                |
|                 |      |   |          |     |                                |
|                 |      |   |          |     |                                |
|                 |      |   |          |     |                                |
|                 |      |   |          |     |                                |
|                 |      |   |          |     |                                |
|                 |      |   |          |     |                                |
|                 |      |   |          |     |                                |
|                 |      |   |          |     |                                |
|                 |      |   |          |     |                                |
|                 |      |   |          |     |                                |

\* Parts Not Illustrated / ‡ Not Serviceable Separately / ◆ Alternate Part Number / A/R As Required

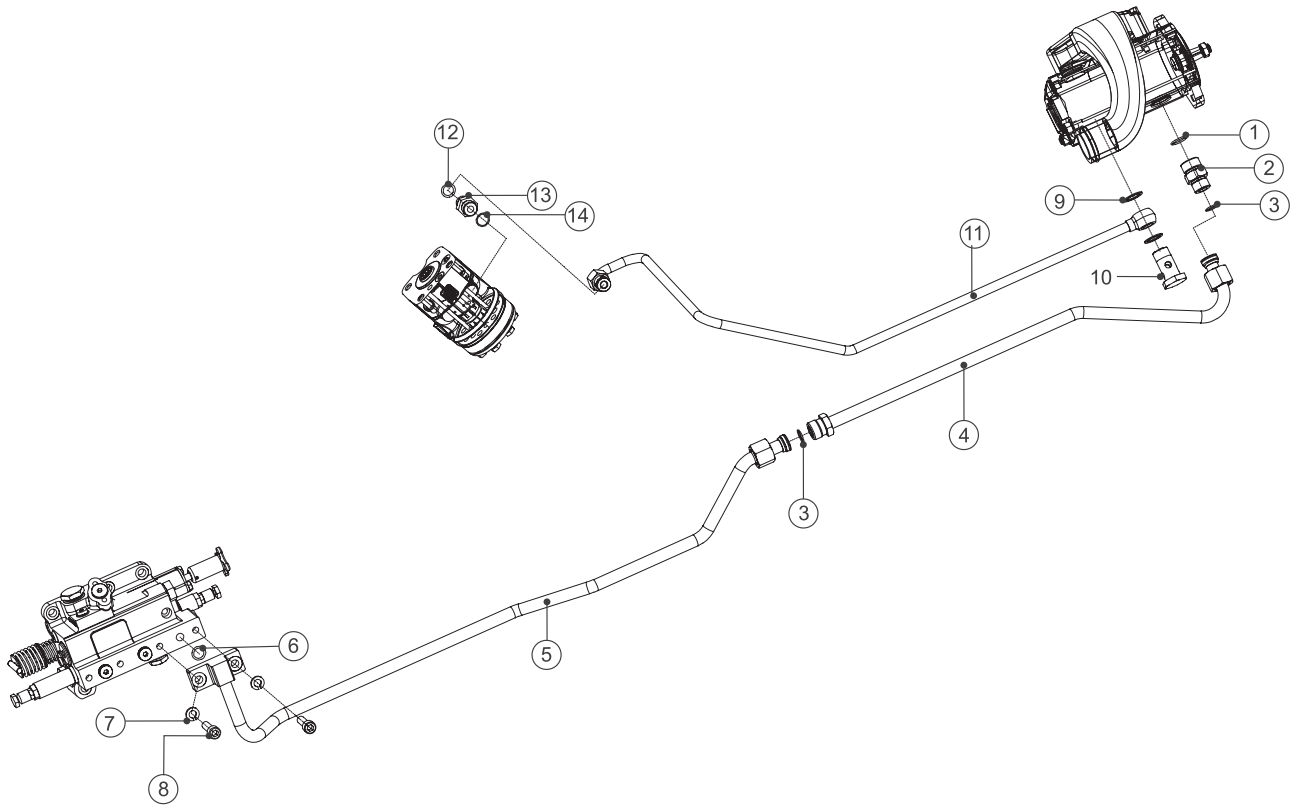
# PRESSURE PIPE ASSEMBLY - MECHANICAL





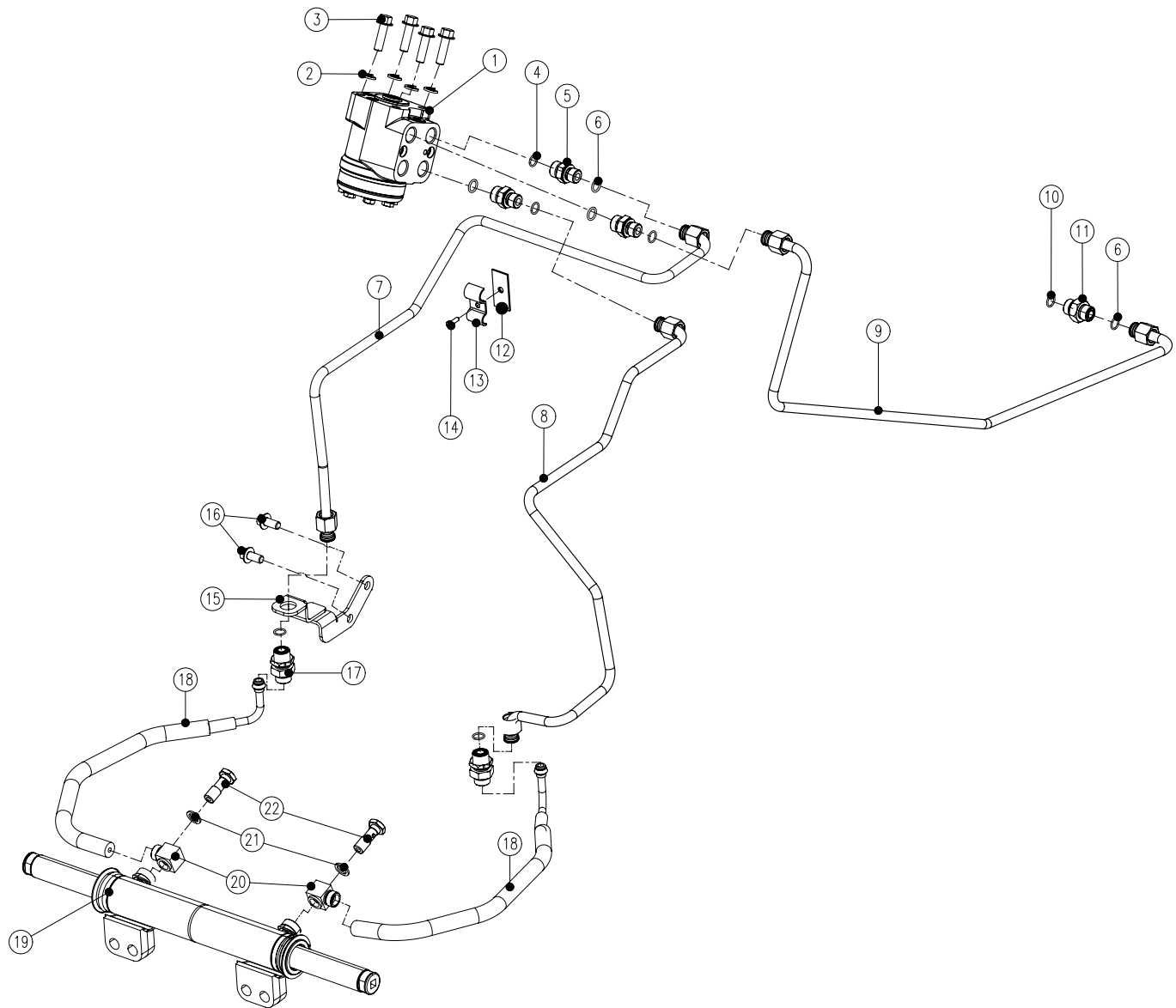


# PRESSURE PIPE ASSEMBLY - POWER STEERING



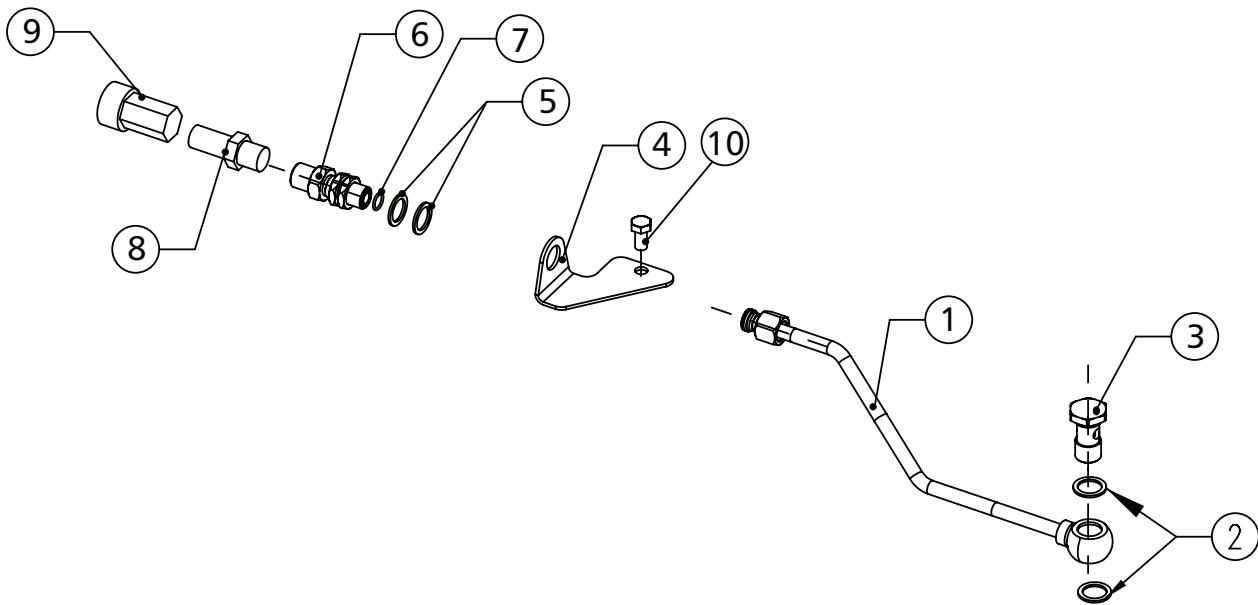


# PIPE ROOTING ASSEMBLY - POWER STEERING



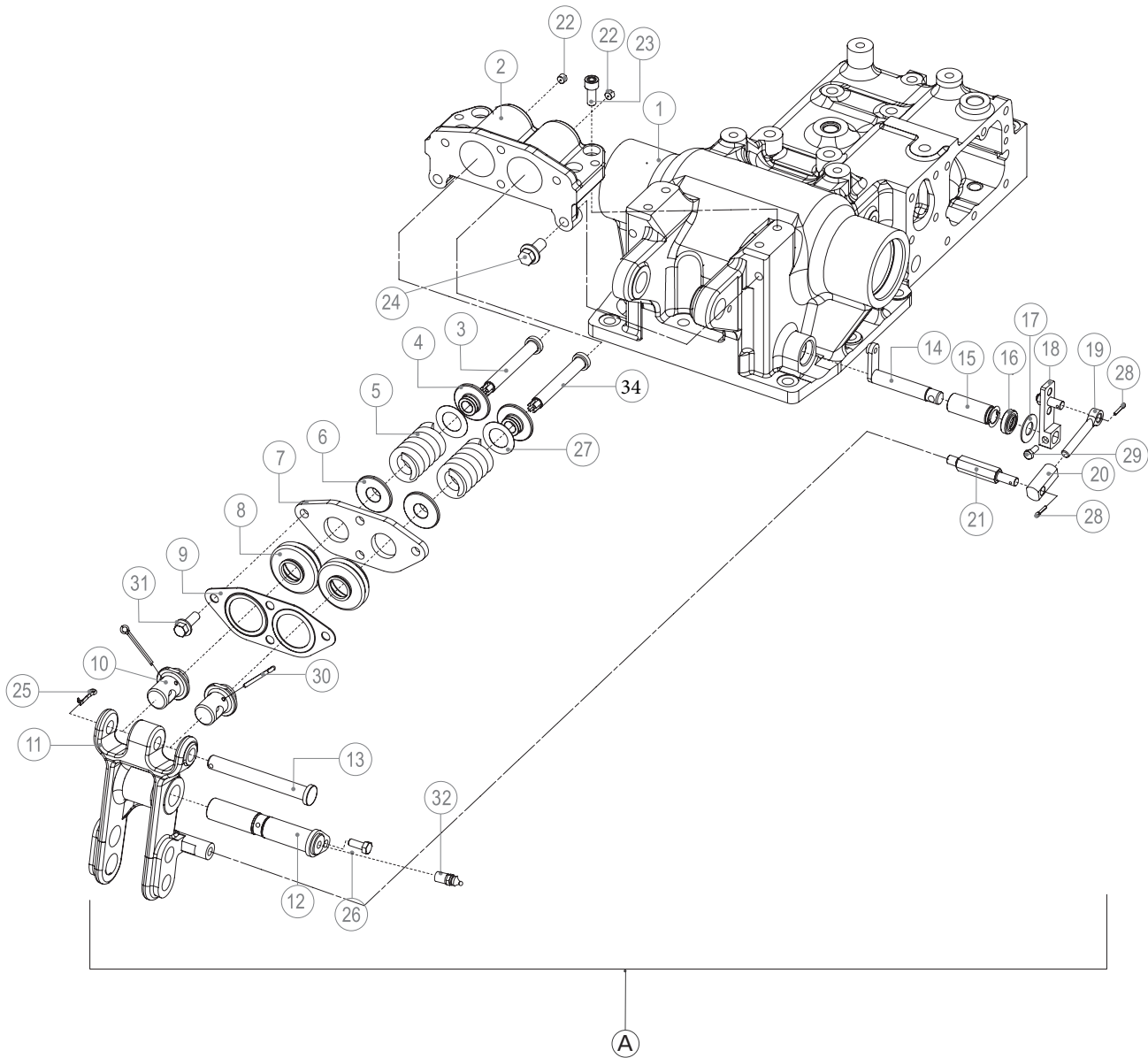


# TIPPING TRAILOR





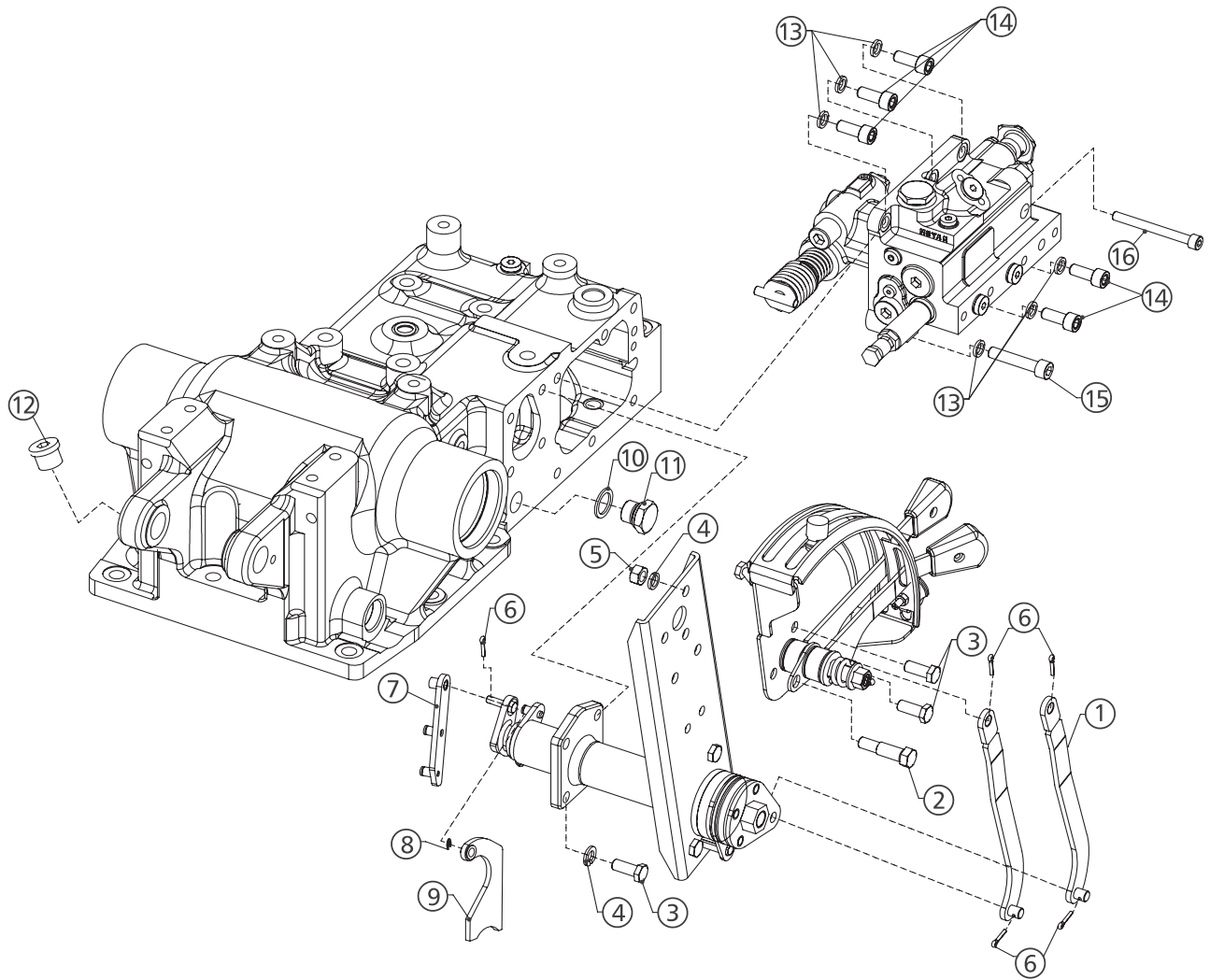
# DRAFT SENSING ON LIFT ASSY





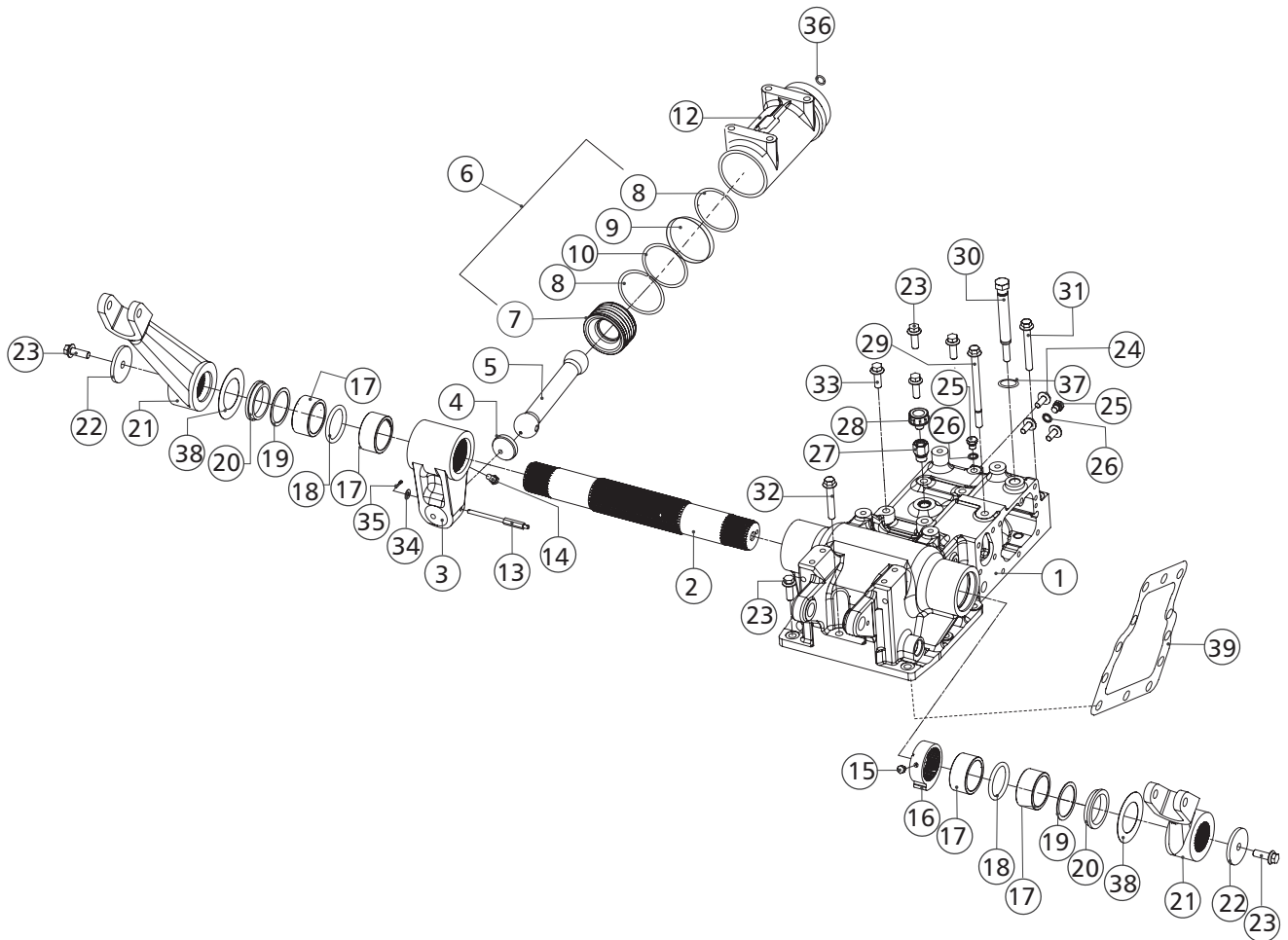


# QUADRANT & CONTROLVALVE ASSY ON LIFT ASSY





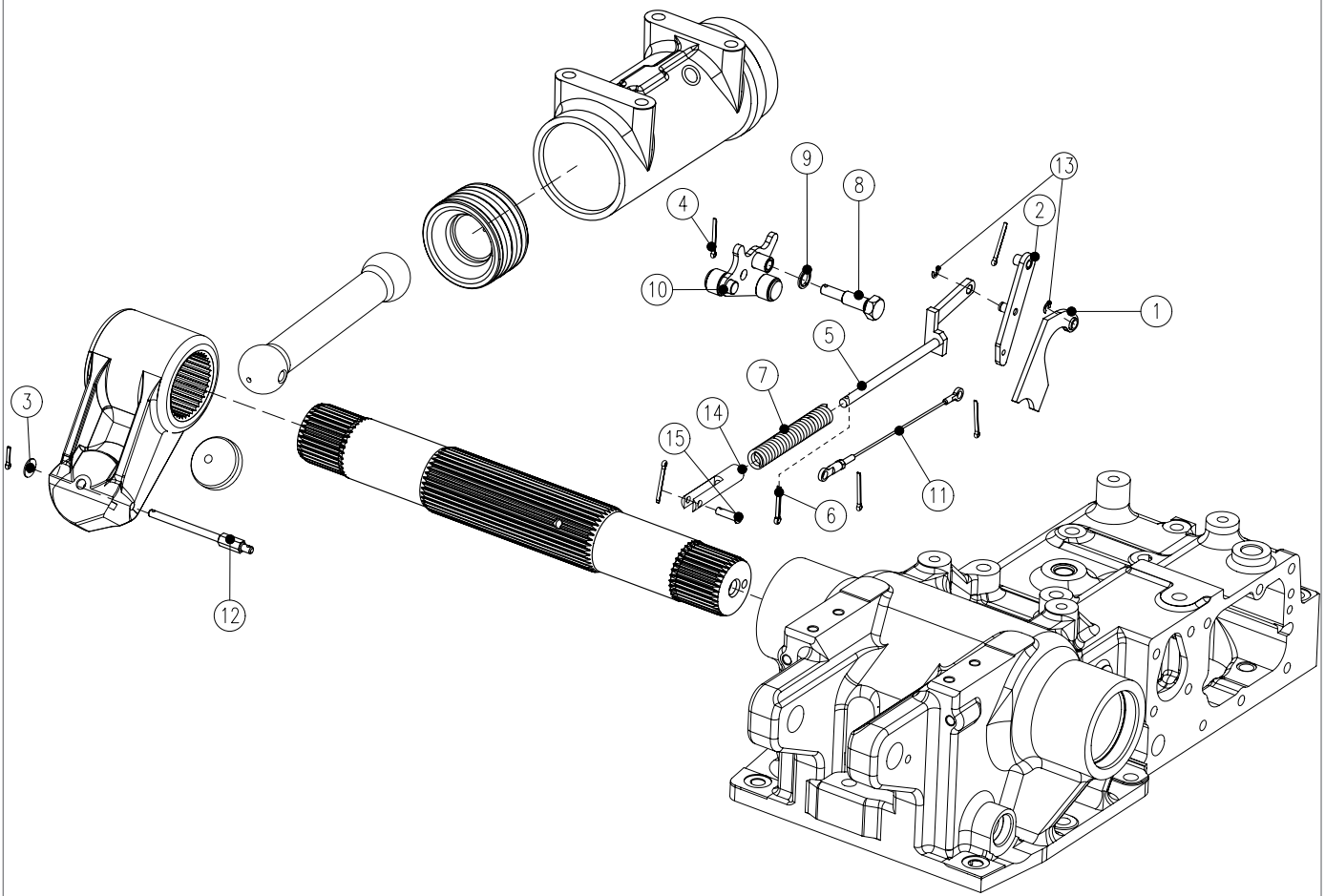
# POWER TRAIN



| M&M Part Number | Ref. | Description of Part                   | Quantity |     | Remarks / Service Bulletin No. |
|-----------------|------|---------------------------------------|----------|-----|--------------------------------|
|                 |      |                                       | 3DI      | 4DI |                                |
| 007206274V1     | 1    | HYDRAULIC LIFT HOUSING                | 1        | 1   |                                |
| 007206082V1     | 2    | ROCKSHAFT                             | 1        | 1   |                                |
| 007209678V1     | 3    | ROCKER ARM HYDRAULIC                  | 1        | 1   |                                |
| 003046977R2     | 4    | BUSH CON ROD                          | 1        | 1   |                                |
| 007200413A1     | 5    | ROD CONNECTING HYDRAULIC              | 1        | 1   |                                |
| 007207399V91    | 6    | PISTON ASSY DIA 85 MM                 | 1        | 1   |                                |
| 007207398V1     | 7    | PISTON HYDRAULIC 85MM DIA             | 1        | 1   |                                |
| 005554403R1     | 8    | RING G 85.72 CYLINDER BEARING         | 2        | 2   |                                |
| 005554402R1     | 9    | RING OUTER SEAL                       | 1        | 1   |                                |
| 005554401R1     | 10   | RING SEAL RECTANGULAR SECTION         | 1        | 1   |                                |
| ‡               | 11   | BUSH PISTON                           | 1        | 1   |                                |
| 007206044V1     | 12   | HYDRAULIC CYLINDER 85MM BORE          | 1        | 1   |                                |
| 007207408V1     | 13   | PIN STANDARD HEADED                   | 1        | 1   |                                |
| 001231563R1     | 14   | BOLT HYD ROCKER ARM                   | 1        | 1   |                                |
| 007205866C1     | 15   | BOLT CAM                              | 1        | 1   |                                |
| 007204632C1     | 16   | CAM PC                                | 1        | 1   |                                |
| 001231718R1     | 17   | BUSH (SLEEVE) ROCKSHAFT               | 4        | 4   |                                |
| 007207488C1     | 18   | O—RING ROCKSHAFT                      | 2        | 2   |                                |
| 003044372R1     | 19   | WASHER ROCKSHAFT                      | 2        | 2   |                                |
| 007207489C1     | 20   | OIL SEAL ROCKSHAFT                    | 2        | 2   |                                |
| 001127628R2     | 21   | LIFT ARM                              | 2        | 2   |                                |
| 000708922R3     | 22   | PLATE LIFT ARM RETAINING              | 2        | 2   |                                |
| 000016469P04    | 23   | BOLT HEXFL M12X1.75X35X10.9           | 15       | 15  |                                |
| 007206788C1     | 24   | FLANGED HEX. HEAD BOLT M10 X 1.5 X 25 | 3        | 3   |                                |
| 007205590C1     | 25   | PLUG M12 X 1.5                        | 2        | 2   |                                |
| 007205248C1     | 26   | WASHER DOWTY M12                      | 2        | 2   |                                |
| 007207274V1     | 27   | ADAPTOR 3/8 " BSP MALE & FEMALE PORT  | 1        | 1   |                                |
| 007207862D91    | 28   | BREATHER                              | 1        | 1   |                                |
| 007205763C1     | 29   | BOLT HEX—HEADED FLANGED N12X1.75X163  | 1        | 1   |                                |
| 007205750C1     | 30   | BOLT VTU MOUNTING                     | 1        | 1   |                                |
| 007206657V1     | 31   | HEX HEADED FLANGED V12X1.75X95        | 1        | 1   |                                |
| 007206656V1     | 32   | HEX HEADED FLANGED BOLT V12X1.75X75   | 1        | 1   |                                |
| 000013899P04    | 33   | BOLT HEX FL V12X1.75X55X10.9          | 2        | 2   |                                |
| 000120393       | 34   | WASHER PLN .343 X .687 X .051         | 1        | 1   |                                |
| 000103384       | 35   | PIN COTTER G3.175X19.05               | 2        | 2   |                                |
| 007204955C1     | 36   | O RING 10,770X2,62 \BR                | 1        | 1   |                                |
| 007205755C1     | 37   | RUBBER BUSH                           | 1        | 1   |                                |
| 007208715V1     | 38   | SPACER LIFT ARM                       | 2        | 2   |                                |
| 007206445V1     | 39   | GASKET VTU INTERFACE                  | 1        | 1   |                                |
|                 |      |                                       |          |     |                                |
|                 |      |                                       |          |     |                                |
|                 |      |                                       |          |     |                                |
|                 |      |                                       |          |     |                                |
|                 |      |                                       |          |     |                                |
|                 |      |                                       |          |     |                                |
|                 |      |                                       |          |     |                                |
|                 |      |                                       |          |     |                                |
|                 |      |                                       |          |     |                                |
|                 |      |                                       |          |     |                                |
|                 |      |                                       |          |     |                                |
|                 |      |                                       |          |     |                                |
|                 |      |                                       |          |     |                                |
|                 |      |                                       |          |     |                                |

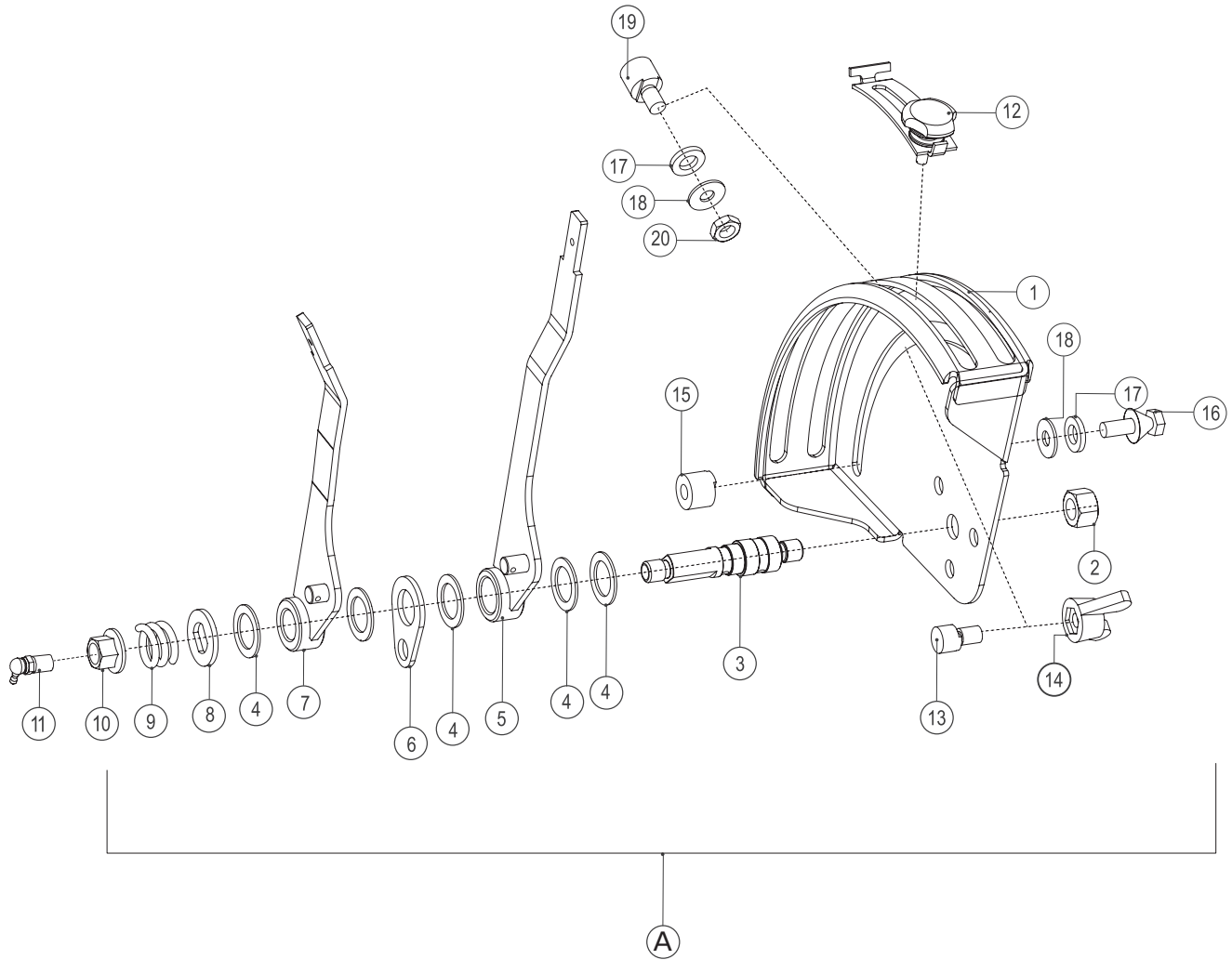
\* Parts Not Illustrated / ‡ Not Serviceable Separately / ◆ Alternate Part Number / A/R As Required

# LIFT ARM ASSEMBLY





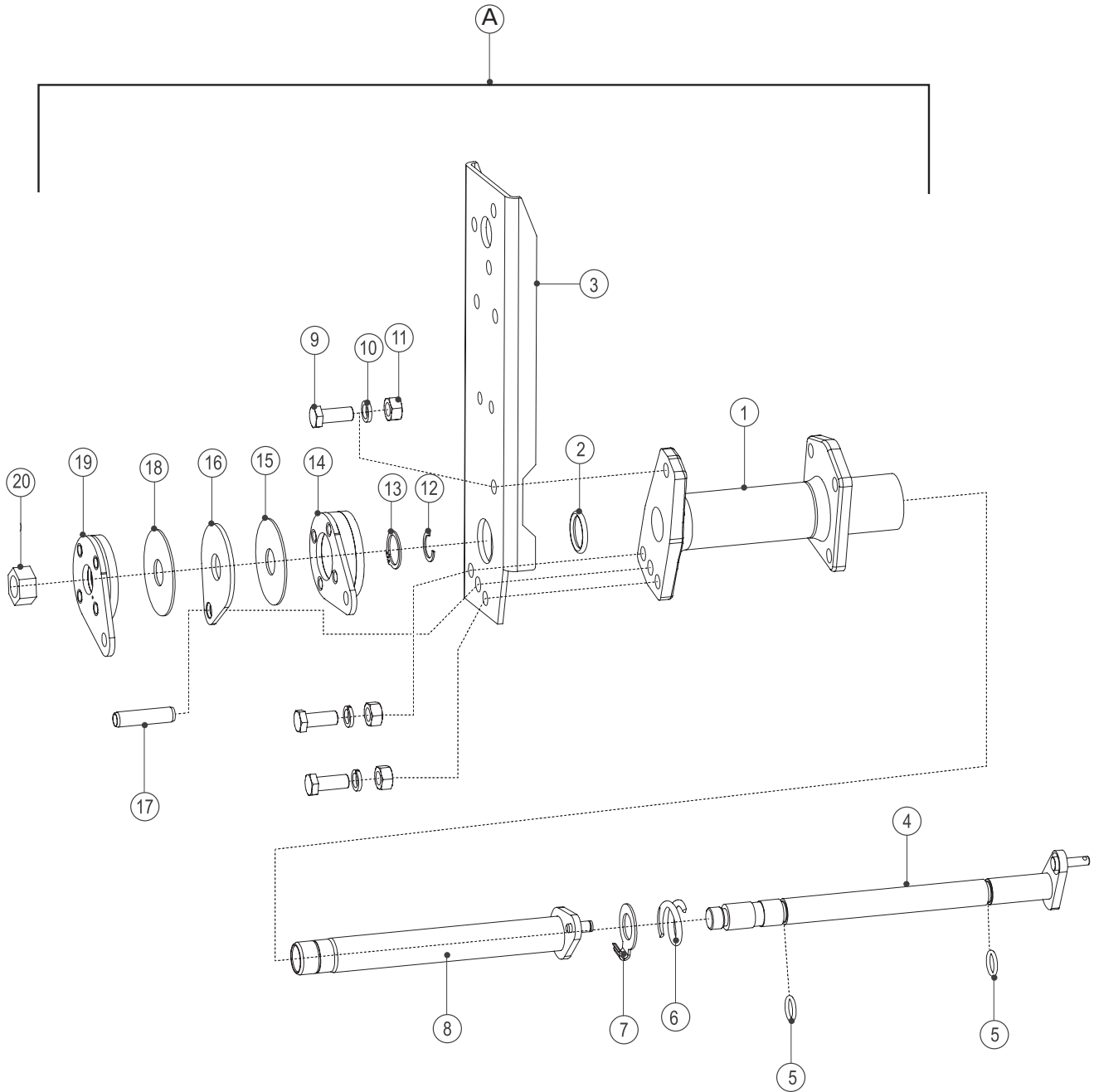
# QUADRANT ASSEMBLY UPPER





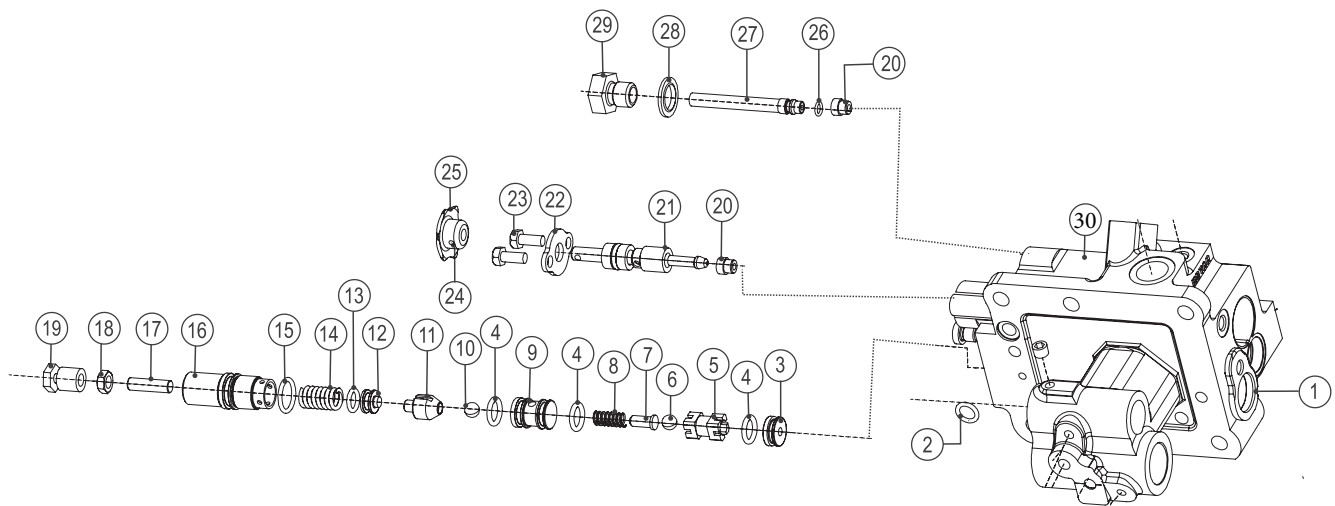


# QUADRANT ASSEMBLY LOWER





# CONTROL VALVE ASSEMBLY

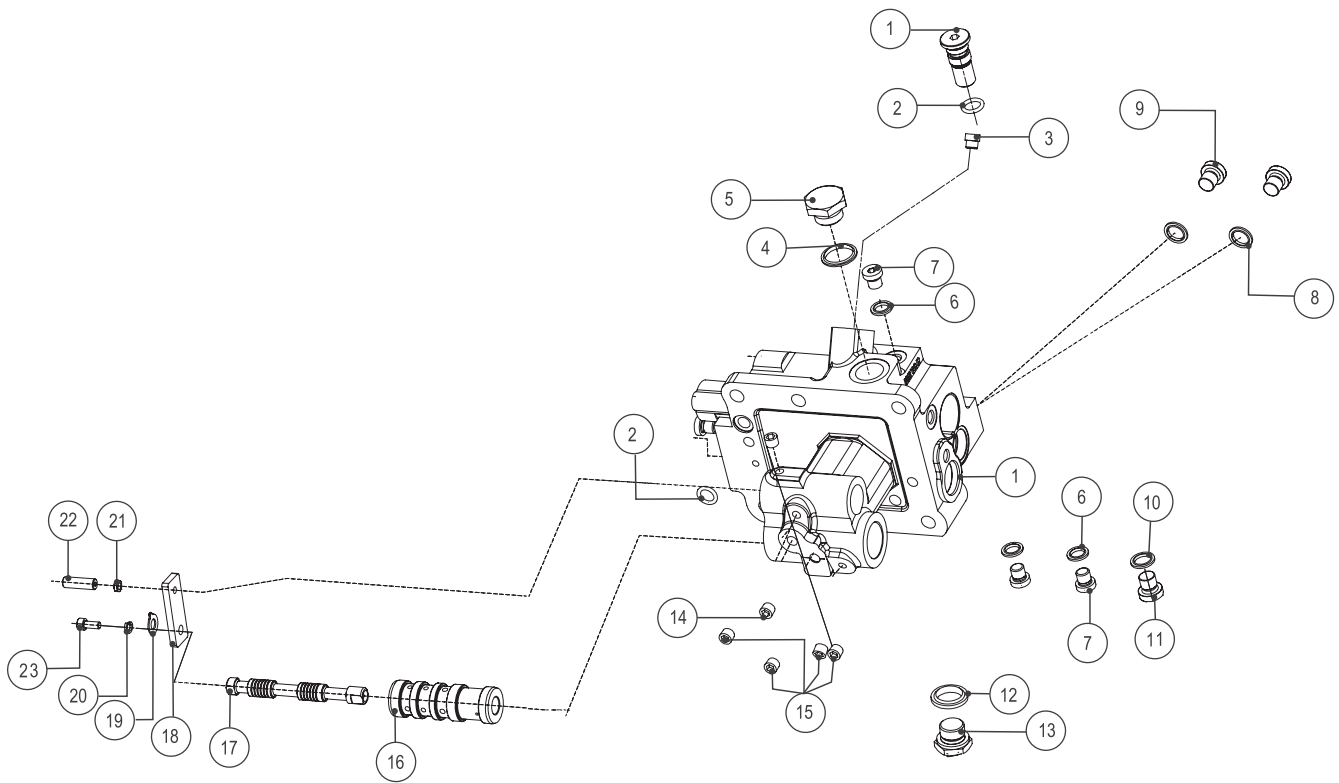


# CONTROL VALVE ASSEMBLY

| M&M Part Number | Ref. | Description of Part                        | Quantity |     | Remarks / Service Bulletin No. |
|-----------------|------|--|----------|-----|--------------------------------|
|                 |      |  | 3DI      | 4DI |                                |
| 007207259C91    | 1    | MANIFOLD CONTROL VALVE                     | 1        | 1   |                                |
| 003067183R1     | 2    | O-RING 7/16 X 5/8 X 3/32                   | 3        | 3   |                                |
| 007205598C1     | 3    | SEAT CHECK VALVE                           | 1        | 1   |                                |
| 000377952R1     | 4    | O-RING 9/16X3/4X3/32                       | 3        | 3   |                                |
| 007206849C1     | 5    | SLEEVE NON RETURN VALVE                    | 1        | 1   |                                |
| 003072883R1     | 6    | BALL RELIEF VALVE                          | 1        | 1   |                                |
| 003063495R1     | 7    | RIDER BALL NON RETURN VALVE                | 1        | 1   |                                |
| 003074227R2     | 8    | SPRING NON RETURN VALVE                    | 1        | 1   |                                |
| 007207857C1     | 9    | SEAT SHOCK LOAD RV                         | 1        | 1   |                                |
| 000016293P04    | 10   | STEEL BALL G 6.35 MM                       | 1        | 1   |                                |
| 007207861C1     | 11   | BALL RIDER / SEAT SPRING SLRV              | 1        | 1   |                                |
| 007204994C1     | 12   | SPACER RV / SPACER COMPANSATOR PLUG        | 1        | 1   |                                |
| 003067183R1     | 13   | O-RING 7/16 X 5/8 X 3/32                   | 3        | 3   |                                |
| 007207746C1     | 14   | SPRING SLRV                                | 1        | 1   |                                |
| 007204997C1     | 15   | O-RING 17.96X2.62                          | 2        | 2   |                                |
| 007206218C1     | 16   | ADJUSTABLE HOUSING SHOCK LOAD RV           | 1        | 1   |                                |
| 007202853C1     | 17   | GRUB SCREW M8X1X25 ADJUSTABLE RELIEF VALVE | 1        | 1   |                                |
| 007202851C1     | 18   | NUT ADJUSTABLE M8 X 1 RELIEF VALVE         | 3        | 3   |                                |
| 007206206C1     | 19   | DOME NUT RELIEF VALVE                      | 1        | 1   |                                |
| 007206618C1     | 20   | SEAT ISOLATOR VALVE                        | 2        | 2   |                                |
| 007206793C91    | 21   | LOWERING SPEED CONTROL VALVE               | 1        | 1   |                                |
| 007206222C1     | 22   | PLATE ISOLATING VALVE                      | 1        | 1   |                                |
| 000180018       | 23   | BOLT 1/4 UNC X 5/8 HX HD                   | 2        | 2   |                                |
| 000017047R1     | 24   | PIN SPRING DOWEL                           | 1        | 1   |                                |
| 003045113R2     | 25   | KNOB ISOLATING VALVE                       | 1        | 1   |                                |
| 000384937R1     | 26   | O-RING 1/4X3/8X1/16                        | 3        | 3   |                                |
| 003047294R95    | 27   | ORIFICE ASSY                               | 1        | 1   |                                |
| H03045118R1     | 28   | DOWTY WASHER 5/8"                          | 1        | 1   |                                |
| 000751580R3     | 29   | BOLT NEEDLE VALVE COVER                    | 1        | 1   |                                |
| 007207575V91    | 30   | ASSEMBLY CONTROL VALVE                     | 1        | 1   |                                |
|                 |      |  |          |     |                                |
|                 |      |  |          |     |                                |
|                 |      |  |          |     |                                |
|                 |      |  |          |     |                                |
|                 |      |  |          |     |                                |
|                 |      |  |          |     |                                |
|                 |      |  |          |     |                                |
|                 |      |  |          |     |                                |
|                 |      |  |          |     |                                |
|                 |      |  |          |     |                                |
|                 |      |  |          |     |                                |
|                 |      |  |          |     |                                |
|                 |      |  |          |     |                                |
|                 |      |  |          |     |                                |
|                 |      |  |          |     |                                |
|                 |      |  |          |     |                                |
|                 |      |  |          |     |                                |
|                 |      |  |          |     |                                |
|                 |      |  |          |     |                                |
|                 |      |  |          |     |                                |
|                 |      |  |          |     |                                |
|                 |      |  |          |     |                                |

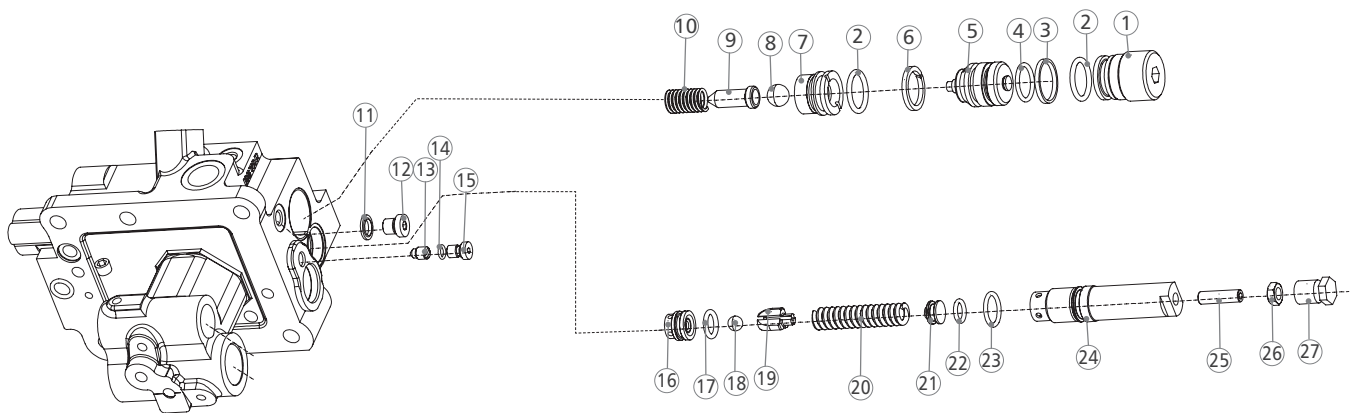
\* Parts Not Illustrated / ‡ Not Serviceable Separately / ◆ Alternate Part Number / A/R As Required

# CONTROL VALVE ASSEMBLY





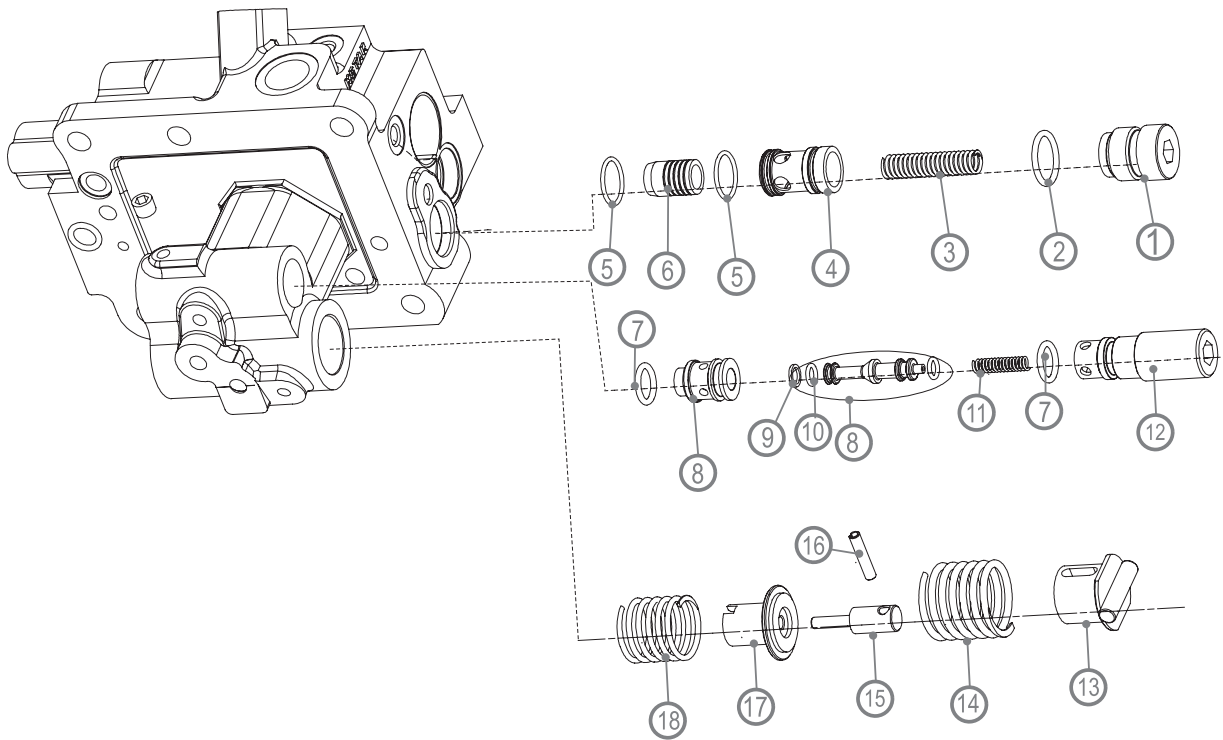
# CONTROL VALVE ASSEMBLY





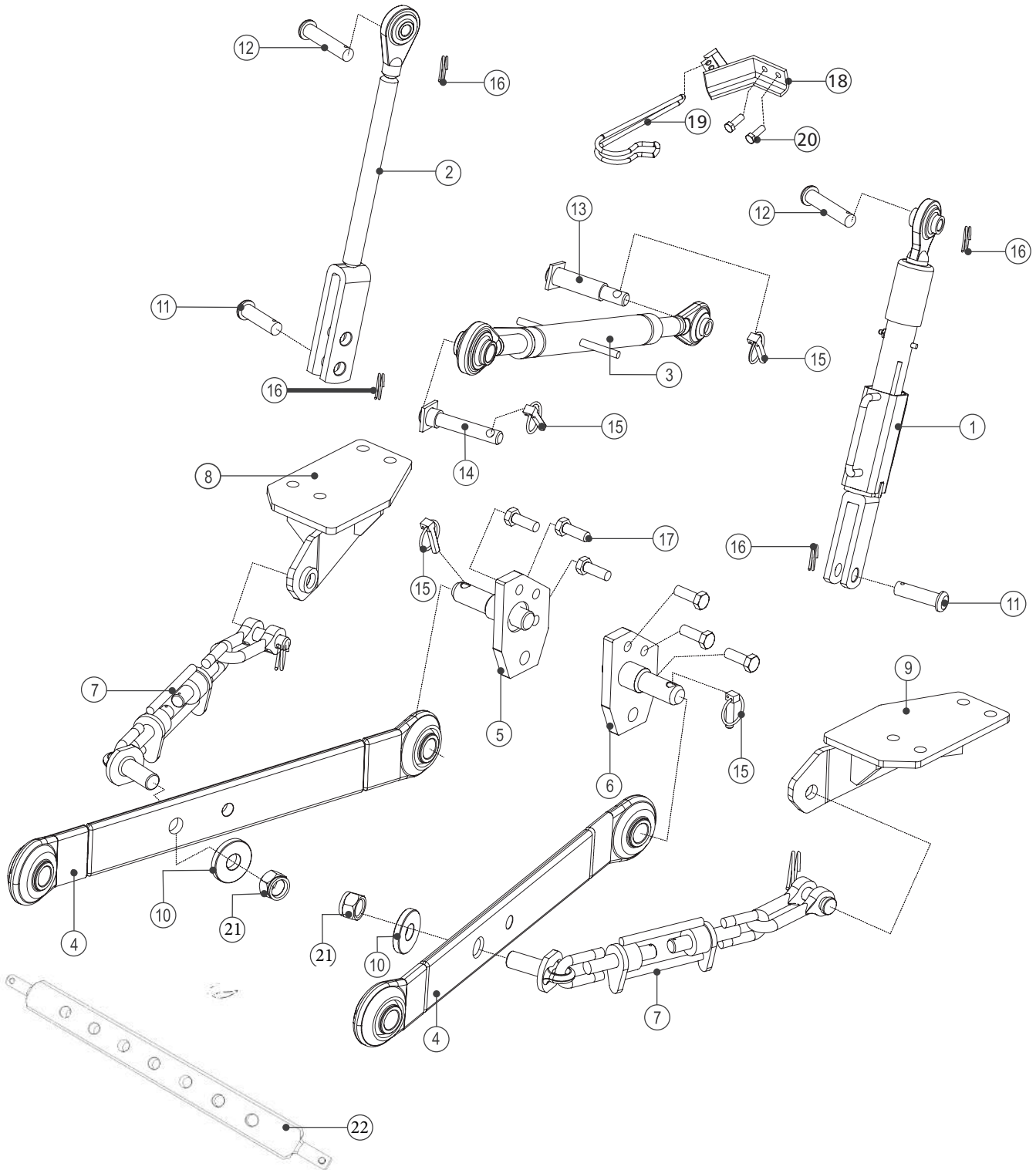


# CONTROL VALVE ASSEMBLY



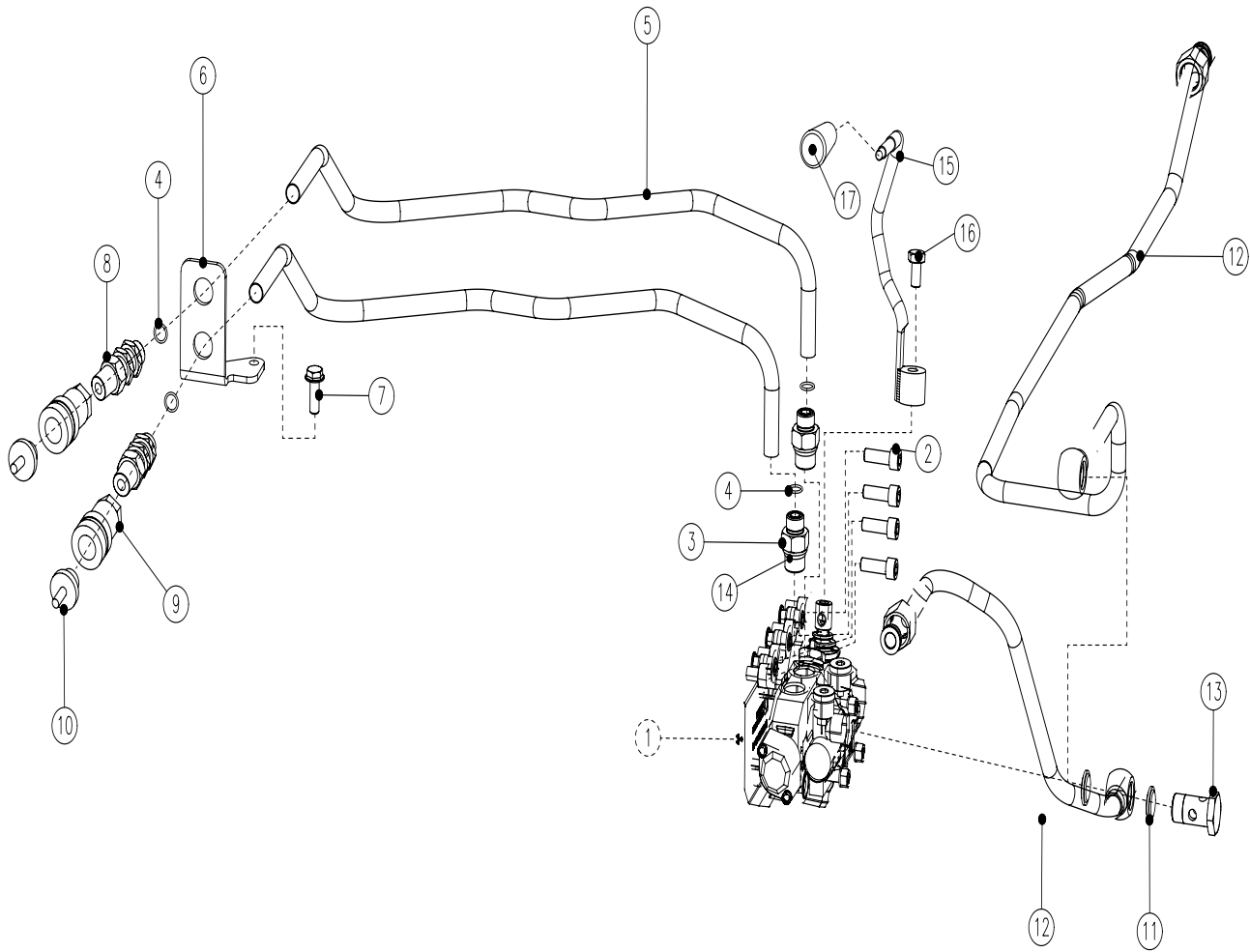


# THREE POINT LINKAGES



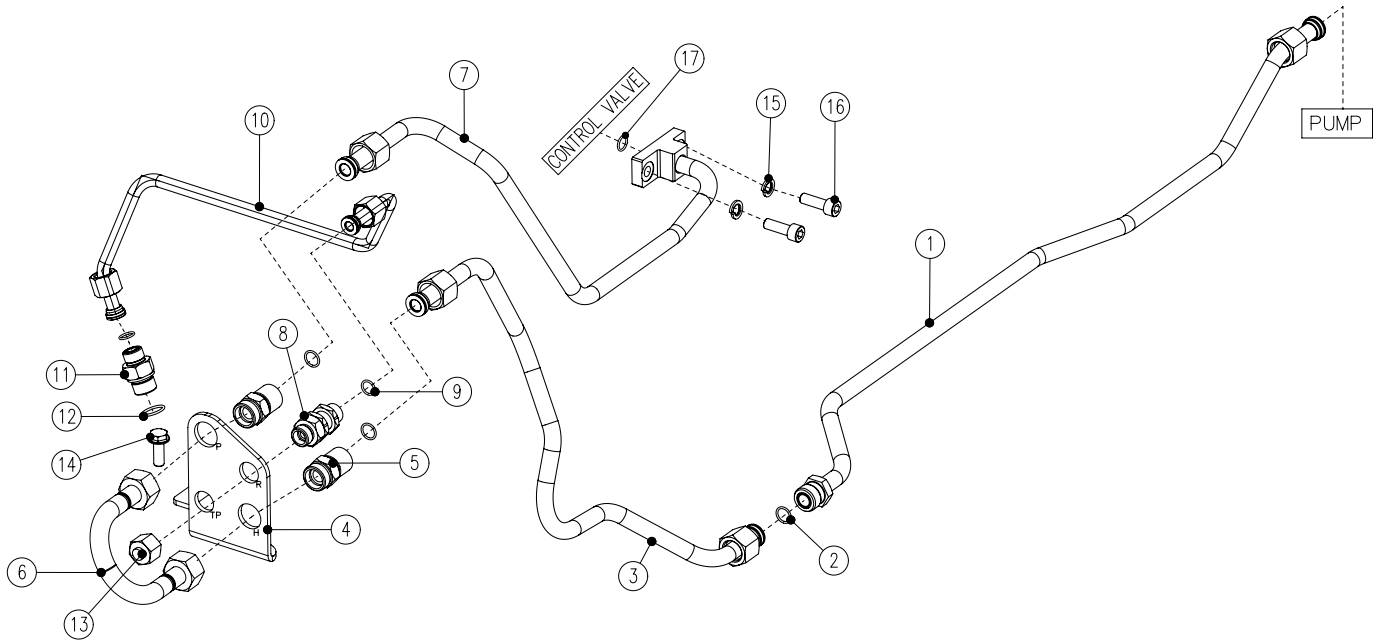


# SINGLE SPOOL AUX VALVE ASSEMBLY





# TRAILER BRAKE PIPE ASSEMBLY

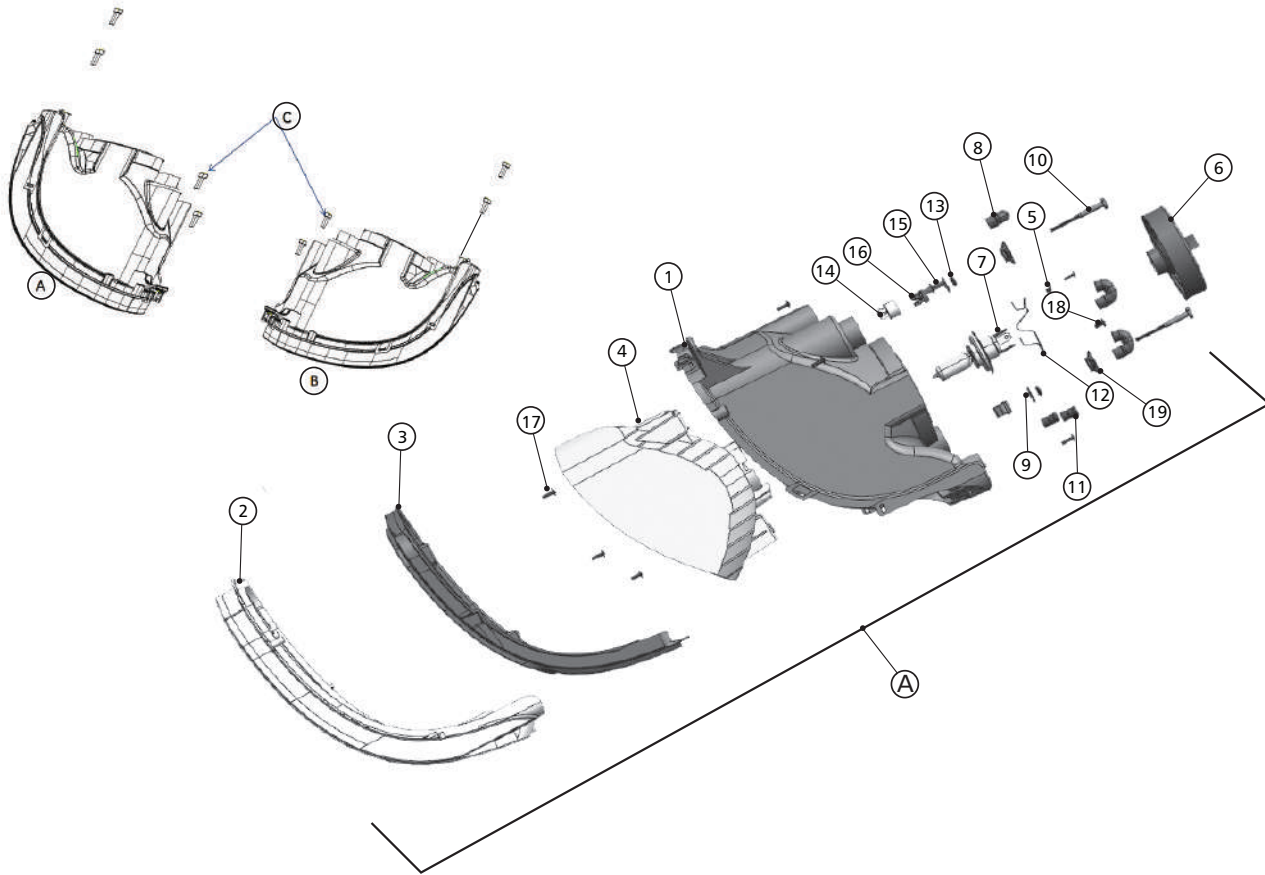






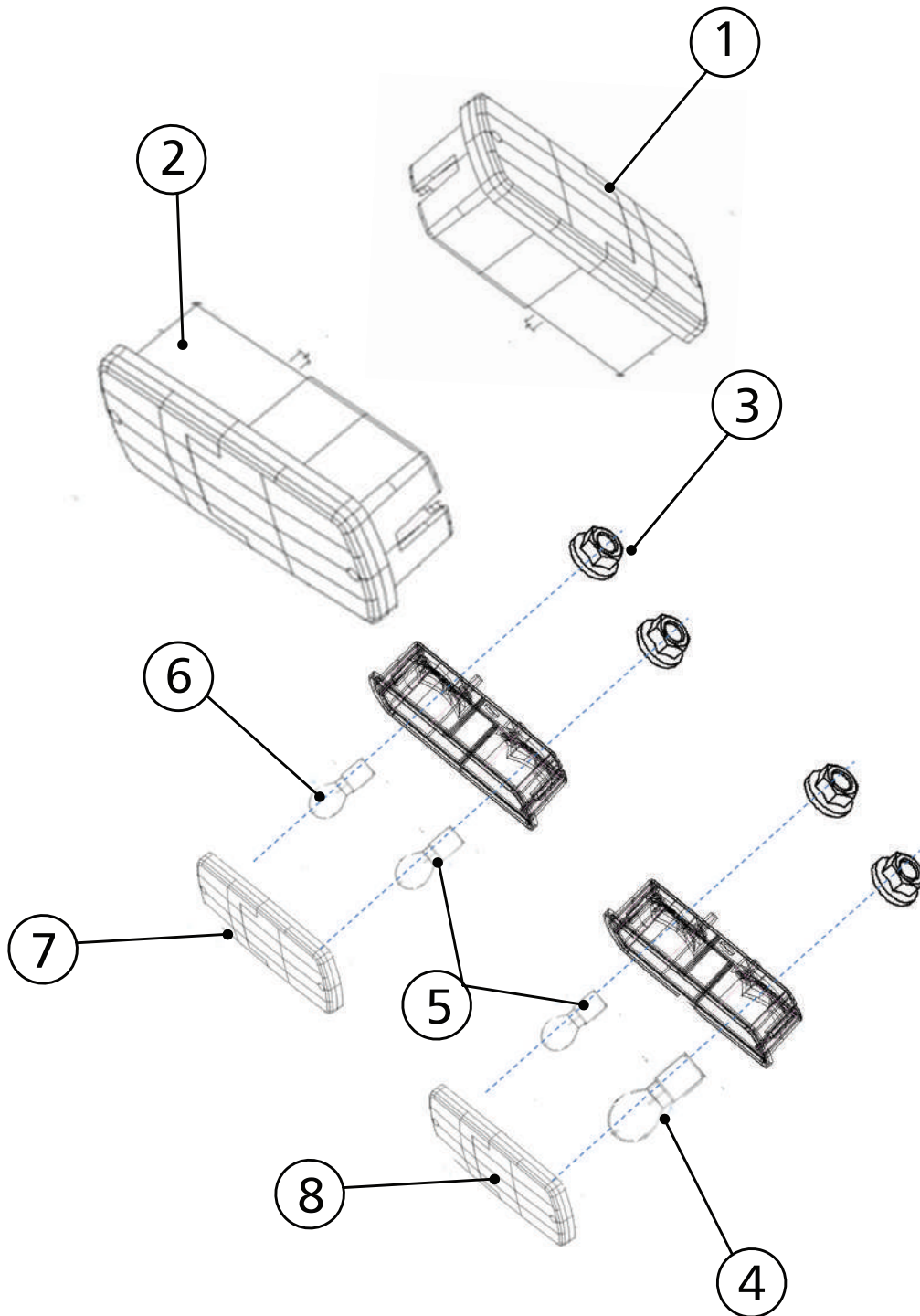
**ELECTRICAL**

# HEAD LAMP



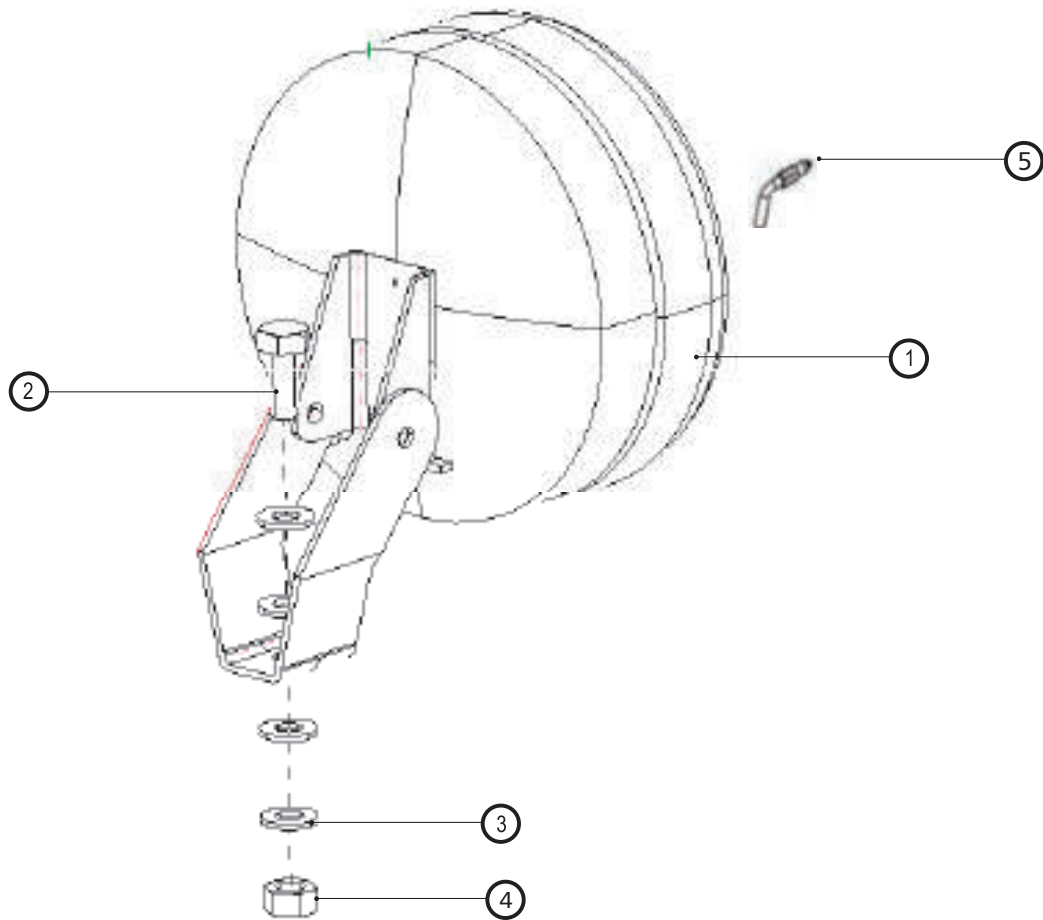


# P&T LAMP AND COMBINATION LAMP



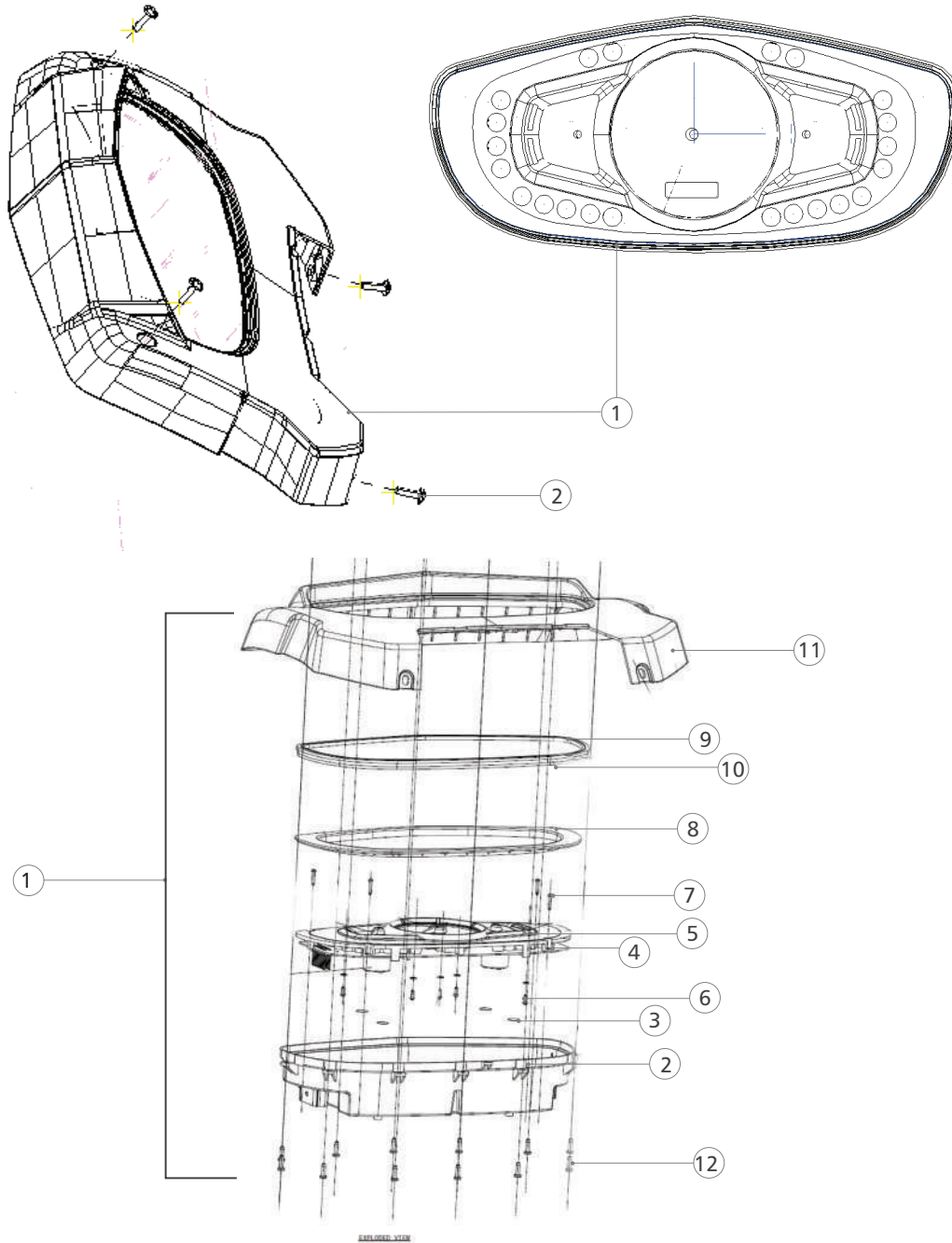


# PLOUGH LAMP





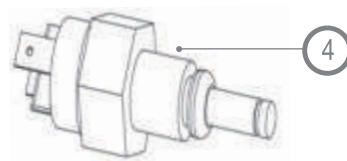
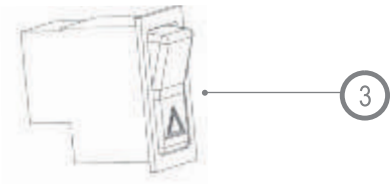
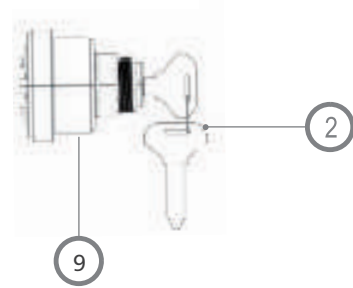
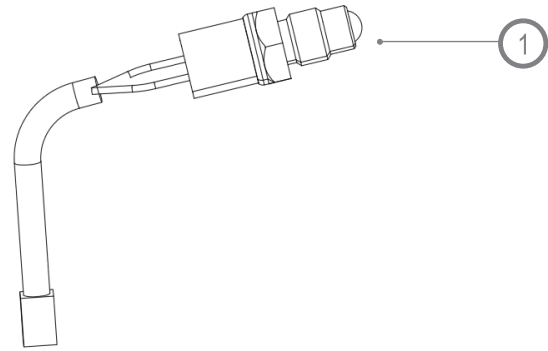
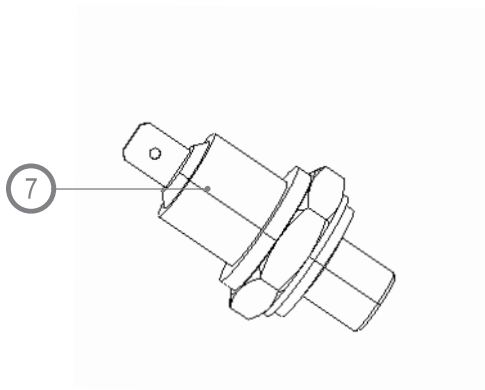
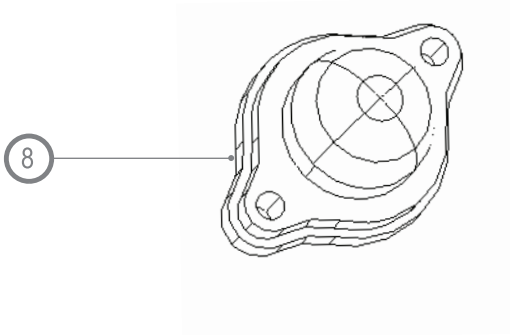
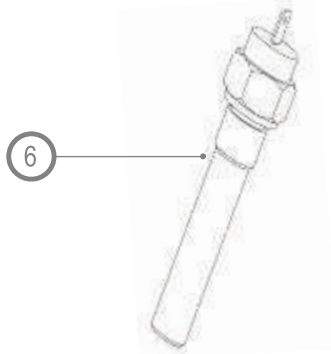
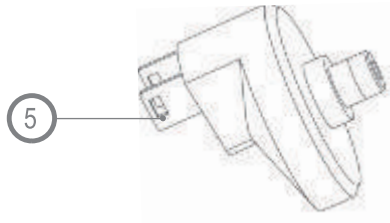
# INSTRUMENT CLUSTER





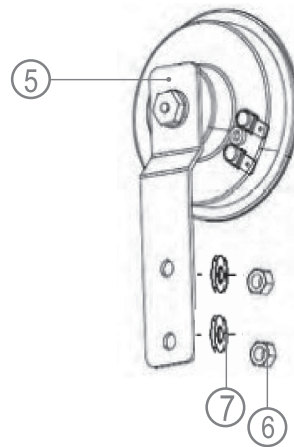
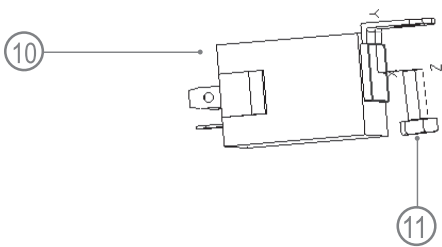
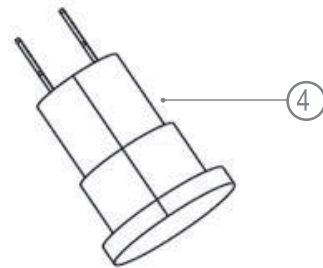
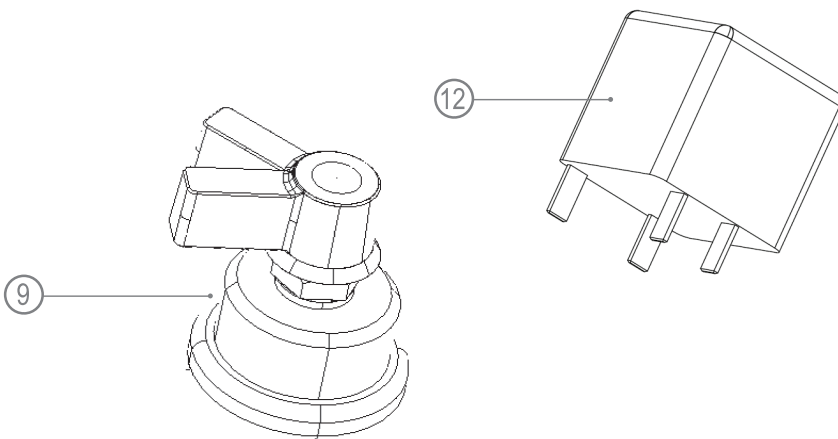
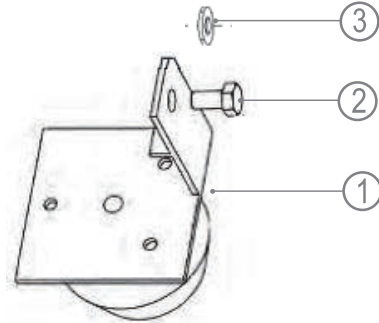
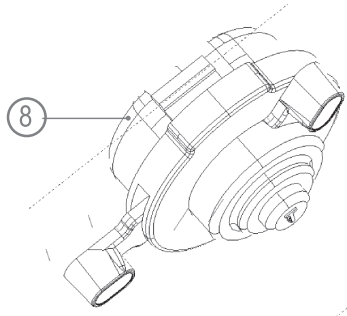


# SENSORS AND SWITCHES



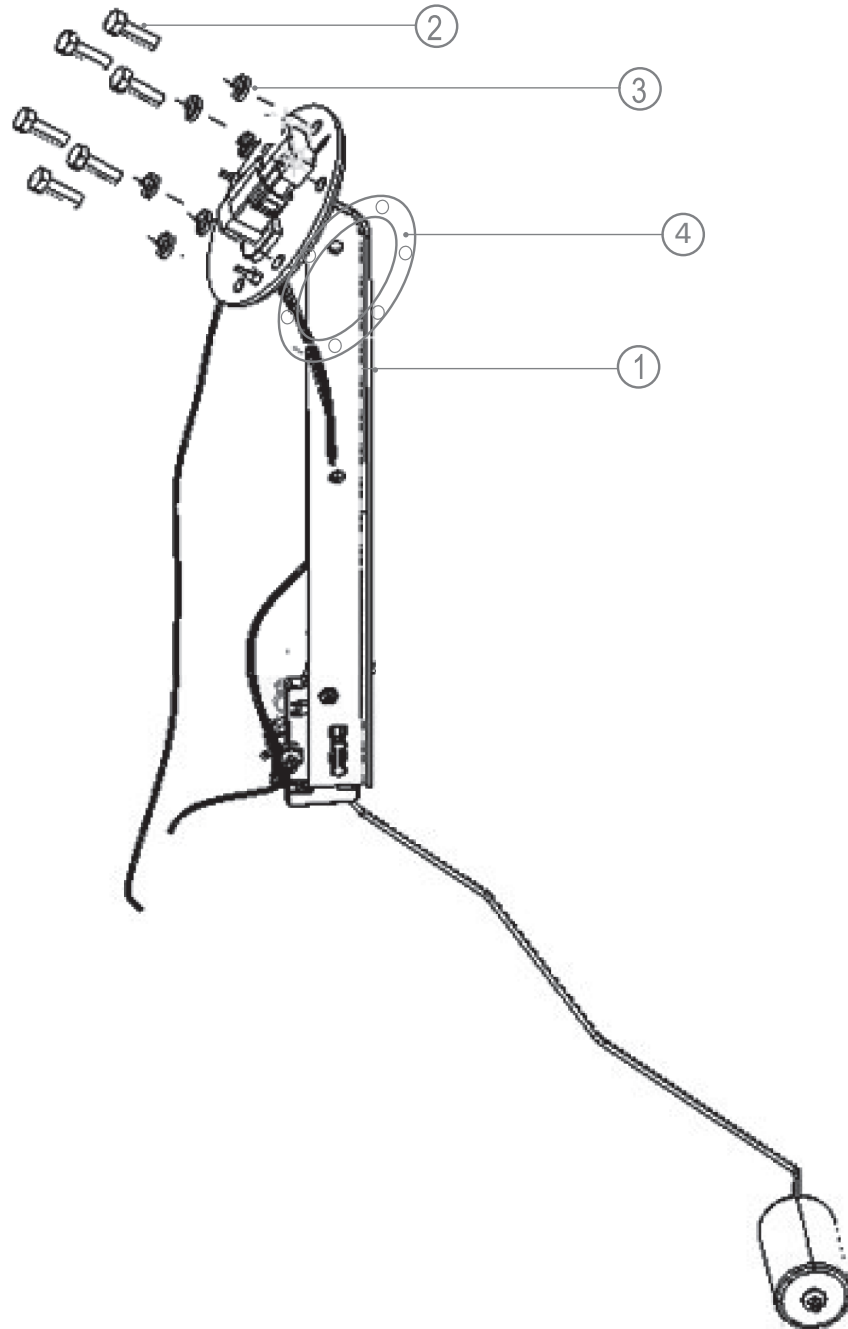


# COMBINATION SWITCH ,HORN AND POWER SOCKETS



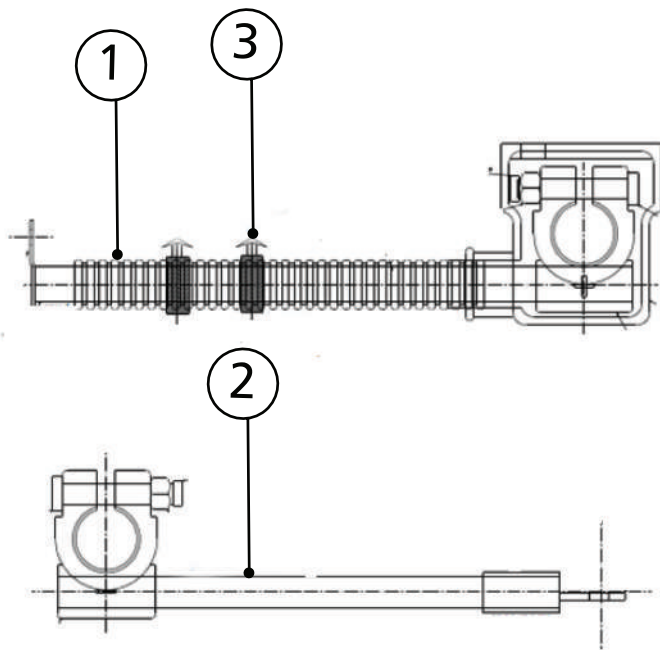


# FUEL LEVEL SENSOR





# BATTERY

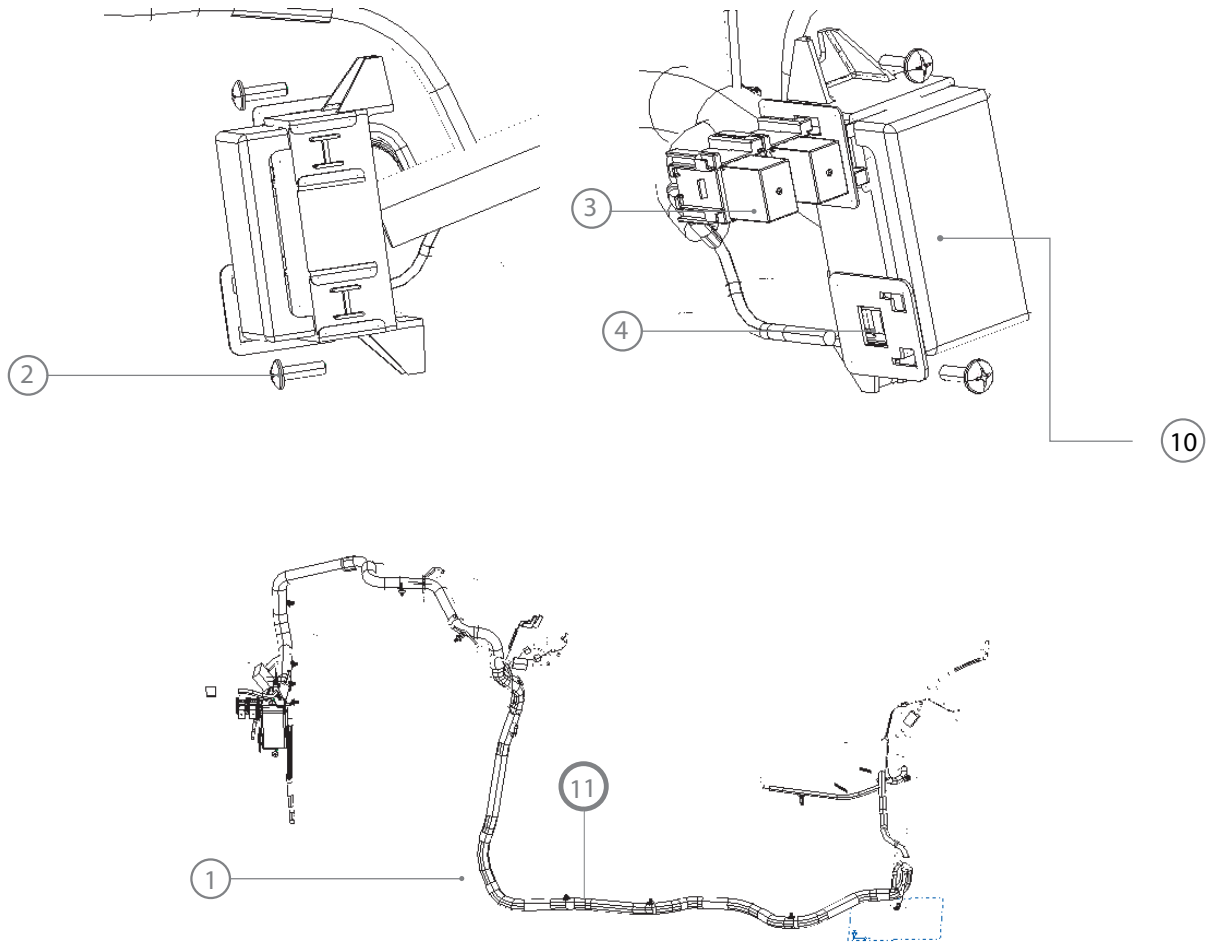






# CABLES (SCUTTLE)

5-8



5



6



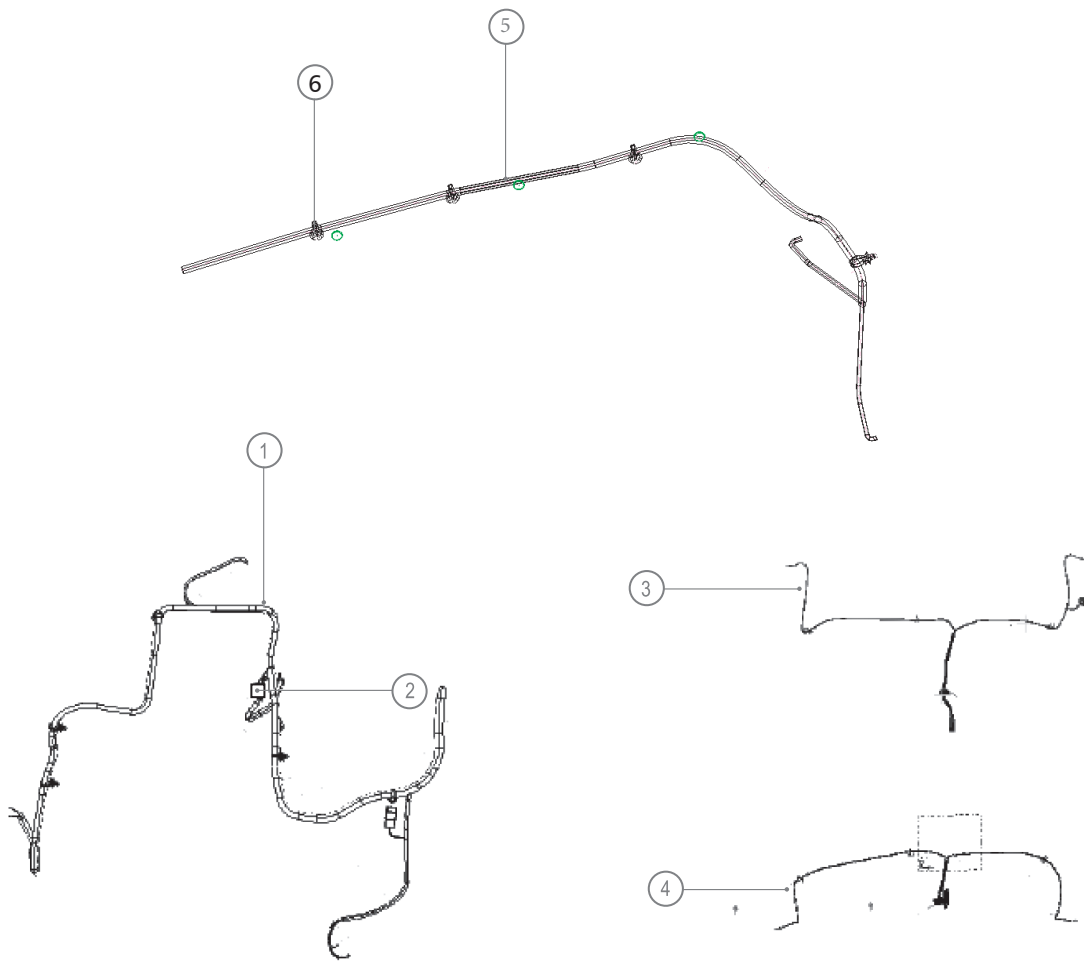
7



8



# WIRING HARNESS





# CLIPS

